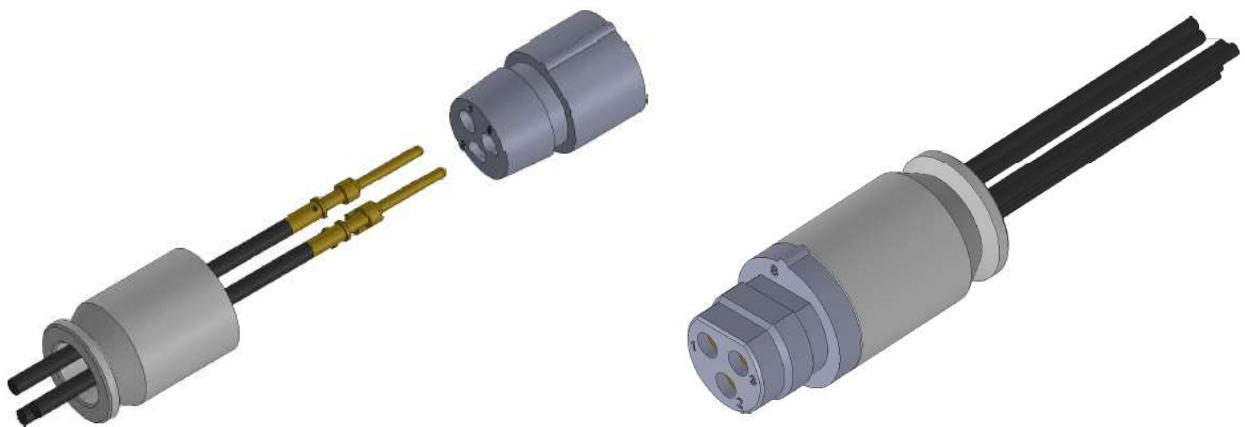


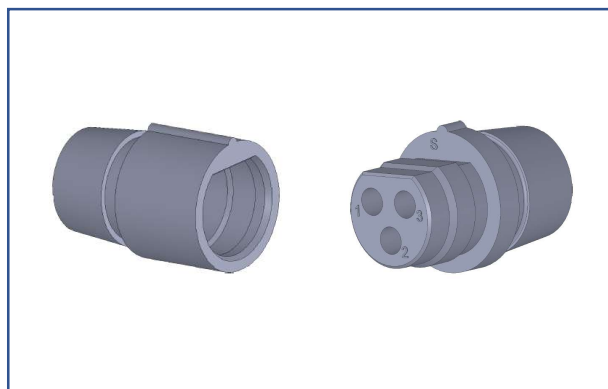
# CS030917

*Insulated connectors  
3 poles with crimp contacts  
and backshell class R for heat  
shrink tubing*



**Product Range**

## CS030917 3 poles with crimp contacts size 12, backshell class R for heat shrink tubing



*In compliance with:*

- EN 50124-1: Railway applications - Insulation coordination
- IEC 60077-1: Railway applications - Electric equipment for rolling stock
- EN 45545-2: Railway applications - Fire protection on railway vehicles
- NFPA 130 (ASTM E 162, ASTM E 662): Standard for Fixed Guideway Transit and Passenger Rail Systems
- IEC 61373: Railway applications. Rolling stock equipment. Shock and vibration tests
- IEC 60529: Degrees of protection provided by enclosures (IP Code)
- European Directive 2011/65: RoHS complying

<b>Order Number</b>	<b>Designation</b>	<b>Description</b>
300139	CS030917-3P	<i>In-line plug connector, 3 poles, with crimp male contacts size 12 for wire section 2,5mm<sup>2</sup> and backshell class R for heat shrink tubing</i>
300140	CS030917-3S	<i>In-line socket connector, 3 poles, with crimp female contacts size 12 for wire section 2,5mm<sup>2</sup> for each contact and backshell class R for heat shrink tubing</i>

**ELECTRICAL CHARACTERISTICS**

<i>Rated insulating voltage</i>	230V (PD3 – OV2)
<i>Test Voltage (EN 60077-1)</i>	1.500V
<i>Working current (85°C)</i>	23A
<i>Max. current (20°C)</i>	41A

**ENVIRONMENTAL CHARACTERISTICS**

<i>Connectors working temperature</i>	-55°C ÷ +125°C
<i>IP Protection degree (EN 60529)</i>	IP20 (when mated and with backshell class R fixed)*

\* IP protection degree can be increased by heat shrink tubing sealing. Consult our commercial office.

**MECHANICAL CHARACTERISTICS**

<i>Mating endurance (IEC 61300-2-2)</i>	200 mating cycles minimum
<i>Shock and vibrations tests (EN 61373)</i>	Body mounted, cat. 1, class B (to be used with cable ties and fixing elements)

\* Order number for: crimping tool 61024, crimping die 61001, insertion tool 61012, guide pin 61021, extraction tool 61023