



# KVBS

## BAYONET CONNECTORS FOR RAILWAY APPLICATIONS

Bayonet Connectors  
with insert in Thermoplastic Resin



## About Us



Radiall has been enabling technology and innovation through collaboration with customers since 1952.

This has resulted in a range of innovative and award-winning products that customers trust for unrivaled repeatability and performance. Radiall's success is built on strong customer relationships and quality components, which have been established since its foundation.

With a focus on simplification and innovation, Radiall has become an industry leader in providing innovative solutions to customers. From connectors to in-house technologies, Radiall's commitment to collaboration and innovation has made it a trusted partner for customers looking to build the future.



The VanSystem brand in the Radiall world distinguishes "heavy duty" connectors for railways and industrial applications.

The name origin is related to VanSystem, an Italian company founded in Milan in 1985 and specialized in the design and production of industrial connectors.

During 30 years of activity the company has gained a strong market position by developing interconnection solutions compliant with the SAE AS 50151 (ex MIL-DTL-5015) standard and tailor-made connectors for the railway, machine tools, automation, construction sites, power supply, extractive industries markets.

In 2015 Radiall SA took over the company; Radiall Italia was born in 2021, from the merger between VanSystem srl and Radiall Elettronica srl.

Radiall Italia S.r.l. Quality System is qualified according ISO 9001:2015 and ISO/TS 22163:2017 (IRIS)



# KVBS Connectors - Introduction

## Bayonet Connectors with insert in Thermoplastic Resin



KVBS connector series derives from the RF CVBS one and it is based on Mil-DTL-5015 and VG95234 specs.

The most important advantage is the simpler and faster cable assembly.

Components materials have been chosen in order match railways vehicles requirements.

### Key characteristics

- 3 ramps reverse bayonet
- Thermoplastic contact holder and insulator
- Contacts retained by a high elasticity clip
- Front grommet
- Rear side grommet supplied with holes closed by a flash of rubber and equipped with side gasket

### Advantages

- Reliable mating even under vibrations, shock and sealing requirements
- Simpler and faster cable assembly
- More reliable contact retention inside the insulator
- When mated guarantee a better sealing and creepage distance between the contacts
- The connector can resist to axial pressure shock, the characteristics are maintained even when it is not filed with all the contacts
- The size 16 contact cavity has a wider internal diameter able to accept flame retardant cable up to 2.5mm<sup>2</sup>

### Material and plating \*

<b>Shells</b>	Alluminium alloy - can be protected against corrosion with the following plating process: Black epoxy varnish (not conductive) <i>(RoHS compliance)</i> CCF - Black passivation - conductive <i>(RoHS compliance)</i>
<b>Insulators</b>	Thermoplastic resin according to UL 94 V0, flame retardant according to EN 45545-2 HL3 R22/23 (Meets NF F 16-101/NF F 16-102 standards)
<b>Grommet and Interfacial Seal</b>	Flame retardant rubber
<b>Contacts</b>	Copper alloy - silver or gold plated

\* Different materials and platings can be used on application request.

### General characteristics

<b>Working temperature</b>	-40°C ÷ +125°C (+ 100°C according NF F 61-030)
<b>Insulation resistance</b>	> 5.000 MΩ
<b>IP protection degree</b>	up to IP68 (waterproof to 10 meters - 12 hours) (when mated connectors with adequate accessories)

### Insulation according to NFF 61030 \*\*\*

Operating voltage	Operating voltage	Test voltage	Creepage distance = Min insulation distance in air ***
500 Vdc	380 Vac RMS	3.250 Vac RMS	8 ÷ 12 mm. Min

\*\*\* Values are related to mated connectors

## Part number explanation

P/N Sample: KVBS 303 030 DA T 24-10 S X M32 LC F7 G N101



-	<b>Insulating material</b>	-	Thermoplastic resin
KVBS	<b>Series Code</b>	KVBS	Bayonet Connector
		KVBSG	Bayonet Connector with external insulated coating
303	<b>Shell Material</b>	-	Aluminum
		303	Stainless Steel 303
		316	Stainless Steel 316L
030	<b>Shell Type</b>	xx	With ramp/threaded or with nut
DA	<b>Connector Class</b>	xx	With backshell
T	<b>Connector Modification**</b>	T	With plastic caps
		FF	Receptacle connector with threaded holes (to specify for 00/02/05 shell only)
		FP	Receptacle connector with through holes (to specify for 03 shell only)
		GG	Rubber covered nut (bayonet version only)
24-10	<b>Insert Arrangement</b>	xx-xx	Size - Arrangement
S	<b>Contact Gender</b>	S	Socket contacts
		P	Pin contacts
X	<b>Polarization Code**</b>	-	No rotation
		W,X,Y,Z,Q	Rotation
M32	<b>Backshell Conduits size or internal thread</b>	-	Without internal thread
		xx	Conduits size or internal thread
LC	<b>Contact Termination</b>	-	Crimp contacts (pages 100/101)
		LC	Less contacts
-	<b>Contact Plating</b>	-	Silver plating
		CD5	Gold plating
		CDN	Gold plating NPGR
		F7	Black epoxy varnish ( <i>RoHS compliance</i> )
F7	<b>Shell finishes</b>	F12	Black Hard Deep Anodization (not conductive) high treatment thickness ( <i>RoHS compliance</i> )
		F16	CCF - Black passivation - conductive ( <i>RoHS compliance</i> )
		F26	Black Hard Anodization ( <i>RoHS compliance</i> )
		F30	colorless passivation for stainless steel ( <i>RoHS compliance</i> )
G	<b>Panel Gasket</b>	-	Without gasket
		G	With waterproof panel gasket
		G3	With waterproof shielded panel gasket
N101	<b>Modification Code**</b>	Nxx	Contacts and hole plugs (Consult our sales office)
		Sxx	Customization (Consult our sales office)

\*\* If required



## Part number explanation

030

### Shell type

FF	FP	FS	Shell Type with ramp	
●	●	●	<b>Shell 030</b>	Rear mounting receptacle connector with thread to accept backshells
-	-	-	<b>Shell 01</b>	In-line receptacle able to accept rear accessories.

● Standard version

● On request

FF = threaded holes FP = through holes FS = countersunk holes

9	1	Shell Type with coupling nut	
		<b>Shell 06</b>	Plug connector, for straight backshell
●		<b>Shell 61</b>	Plug connector, for straight backshell, coupling nut rubber covered (short version)
		<b>Shell 06GG</b>	Plug connector, for straight backshell with rubber covered coupling nut
●		<b>Shell 96</b>	Plug connector, provided with grounding finger - with straight backshell
		<b>Shell 96GG</b>	Plug connector, provided with grounding finger - with straight backshell - with rubber covered coupling nut
		<b>Shell 08</b>	Plug connector, with 90° elbow
●		<b>Shell 81</b>	Plug connector, with 90° elbow, coupling nut rubber covered (short version)
		<b>Shell 08GG</b>	Plug connector, with 90° elbow with rubber covered coupling nut
●		<b>Shell 98</b>	Plug connector, with 90° elbow, with grounding finger
		<b>Shell 98GG</b>	Plug connector, with 90° elbow, with grounding finger with rubber covered coupling nut
●	●	<b>Shell 961</b>	Plug connector, provided with grounding finger - with straight backshell, coupling nut rubber covered (short version)
●	●	<b>Shell 981</b>	Plug connector, provided with grounding finger - with 90° elbow, coupling nut rubber covered (short version)

● Available

9 = with grounding finger 1 = rubber covered coupling nut, short version

DA

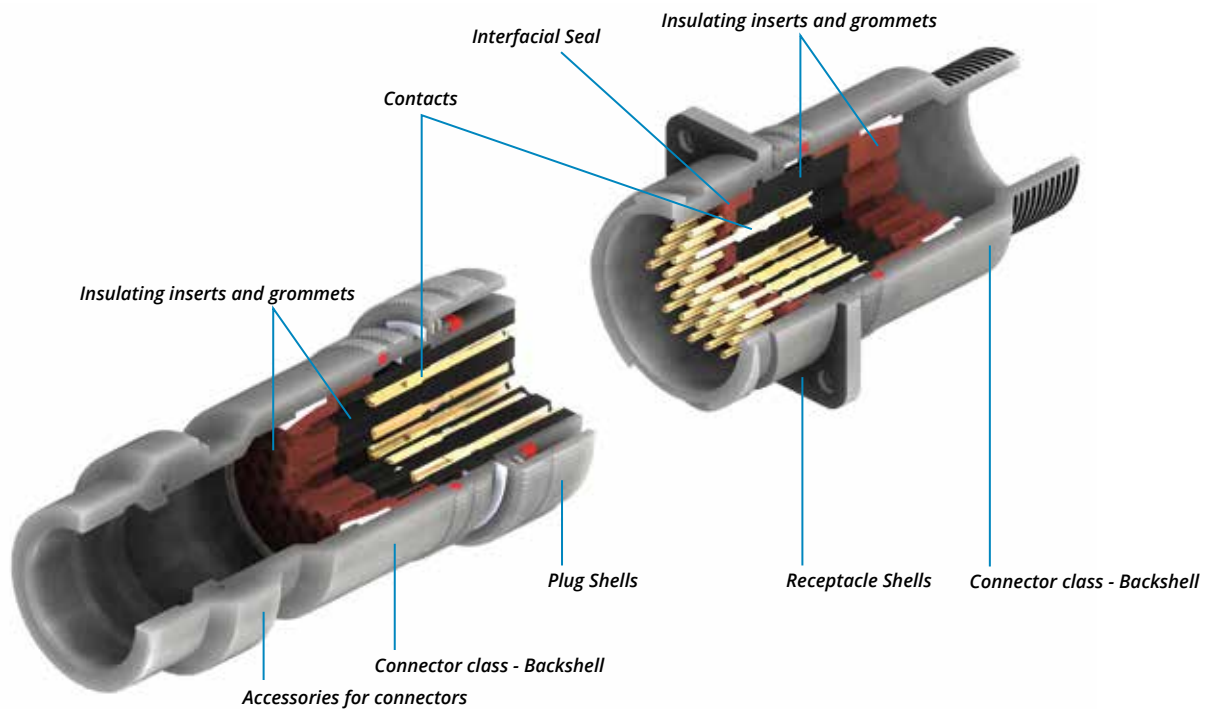
### Connector Class - backshell

- 1 Without O-ring and Grommet (non-watertight)
- 2 With waterproof O-ring
- 3 With waterproof O-ring and Grommet

KVBS	KVBSG	1	2	3	Connector Class - backshell
●	-	<b>A</b>	<b>DA</b>	<b>RA</b>	Backshell having an external thread suitable for MS3057...A or C type cable-clamps
●	-	<b>SA</b>	<b>SDA</b>	<b>SRA</b>	Short Backshell having an external thread suitable for MS3057...A or C type cable-clamps
●	●		<b>DA..M</b>	<b>RA..M</b>	Provided with an internal Metric thread
●	-			<b>R</b>	Suitable to connect single wires (when strain relief is not necessary)
●	-		<b>AST</b>	<b>ST</b>	Backshell with internal cable retention system (on request ST1/ST2 with clamps for cable diameter reduction) with an external unef thread
●	-		<b>AST..M</b>	<b>ST..M</b>	Backshell with internal cable retention system (on request ST1/ST2 with clamps for cable diameter reduction) with an internal Metric thread
●	-		<b>AST..FS</b>	<b>ST..FS</b>	Backshell with internal cable retention system (on request ST1/ST2 with clamps for cable diameter reduction) with a special adapter for UNI4883 rubber conduits
●	-		<b>DA..FS</b>	<b>RA..FS</b>	Provided with a special adapter for UNI4883 rubber conduits

● Available

## General Characteristics



### INSERTS

VanSystem is able to offer connectors with 11 Arrangements manufactured in Thermoplastic material.

The connectors is supplied with inferfacial seal to guarantee fhe sealing of mating over the entire area of the Interface and around each contact.

### SHELLS

Available in several versions suitable for all applications and manufactured in different materials and finishes:

- Aluminum alloy with different types of protection finishes according to RoHS directives.
- Stainless steel, brass nickel plated and other materials to be chosen according to the application
- Coupling nut in bayonet version

The bayonet connectors provide faster coupling and anti-vibration resistance.

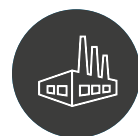
In the KVBS serie the coupling system is composed of 3 bayonet ramps machined on the external side of the receptacle connector and 3 stainless steel studs mounted inside the plug connector's coupling nut.

### CONTACTS

Available in crimp, machined copper alloys and finished with gold or silver platings.

All contacts are manufactured in order to guarantee optimum connection properties and to provide resistance to vibration and continuous mating and unmating cycles.

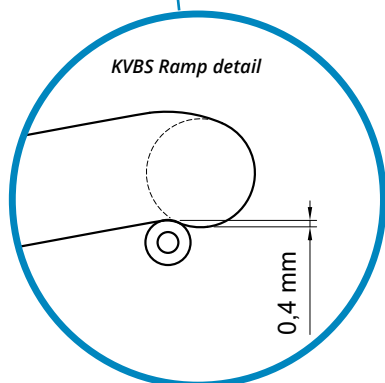
## KVBS - General Characteristics



### BAYONET CONNECTORS PROTECTED BY A STAINLESS STEEL STUD

This series, deriving from Mil-DTL-5015 and VG95234 specs, has become a popular standard among railway connection applications.

The coupling point at the end of the ramp is protected by a stainless steel roller able to increase the number of mating cycles.



#### Main characteristics:

- Fast and reliable coupling (coupling-nut rotation of 120° only and mating is audible, visible and tactile)
- Vibration and impact resistance
- Manufactured in several shell versions as panel connectors (with front or rear mounting) or plug connectors (with straight backshell or 90°)
- Accessories for all types of cables and shielding protection hoses are also available
- Crimp contacts are suitable for wires of many sections

#### Advantages:

- Faster coupling, continuous and reliable service in the harshest use conditions
- Wave washer installed under the plug connector coupling nut
- IP68 waterproof protection (when connectors are mated and harnessed by using the correct accessories)



# Circular Connectors

## International Standard Document Compliance

- MIL-DTL-5015: Connectors, Electrical, Circular threaded, an type, general specification for
- SAE AS 39029: Contacts, Electrical Connectors, general specification for
- VG 95234: Electrical connectors with bayonet coupling pressure-water tight, up to 245A
- EN 50124-1: Railway applications - Insulation coordination
- IEC 60077-1: Railway applications - Electric equipment for rolling stock
- EN 45545-2: Railway applications - Fire protection on railway vehicles
- NFPA 130 (ASTM E 162, ASTM E 662): Standard for Fixed Guideway Transit and Passenger Rail Systems
- UNI CEI 11170-3 : Guidelines for railway vehicle protection for tramways and with guided rail
- NFF 16-102: Railway Rolling Stock - Fire Behavior
- EN 50467: Railway applications - Rolling stock - Electrical connectors, requirements and test methods
- IEC 61373: Railway applications. Rolling stock equipment. Shock and vibration tests
- IEC 60529: Degrees of protection provided by enclosures (IP Code)
- European Directive 2011/65: RoHS complying

## Features and Benefits

### Robust Connection

- Fully protected connectors: no risk to damage the contacts thanks the robust shell
- Supplied with grounding finger, conductive plating and the proper rear accessory
- Suitable for polarizations to prevent un-correct coupling

### Easy installation

- Fast and reliable coupling
- Backshell and accessories for fastening cable/conduit fixation

### Suitable for harsh environments (adapted for outdoor use)

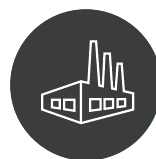
- Waterproof connection
- Dust proof
- Corrosion resistant

### High level of performance

- Working temperature  $-40^{\circ}\text{C} \div 125^{\circ}\text{C}$  (according to the inserts material)
- EMI protection with grounding finger
- Power connection up to 73A

## APPLICATIONS

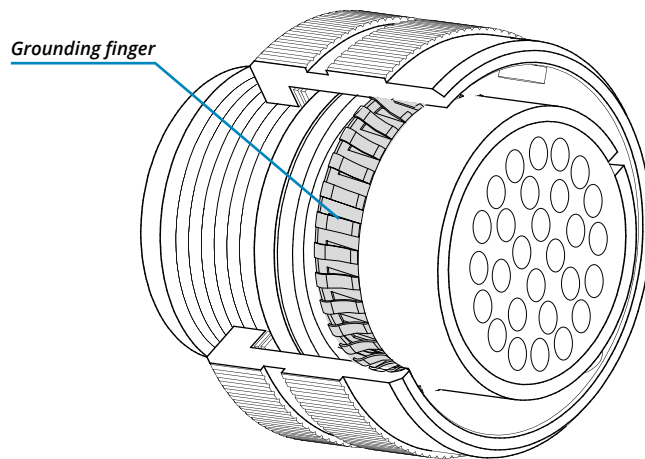
- Railway
- Energy
- Naval
- Industrial



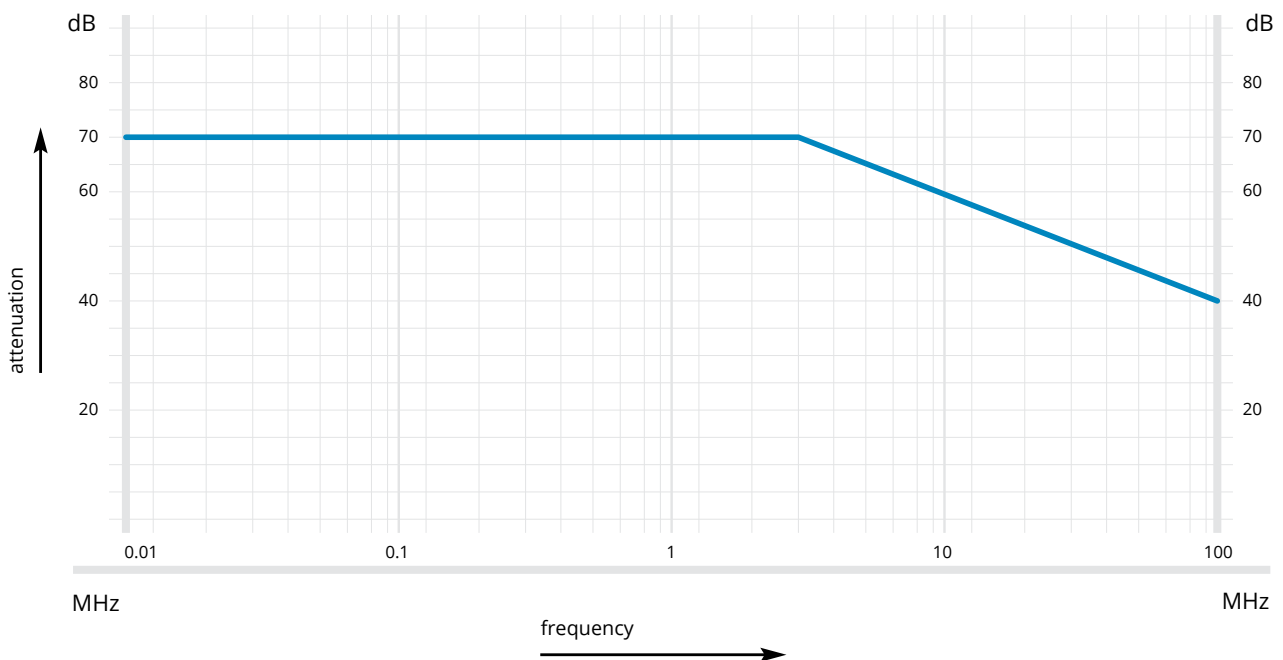
## General Characteristics - Shells - Shielding characteristics

Plug connectors with grounding finger (type 96 - 98 - 96GG - 98GG) when mated with receptacle connectors (type 030) and provided with rear accessories for shielded cables have shielding characteristics according to VG95234 specs.

F16 Shell Finishes is recommended for electrical conductivity from receptacle to plug.



**VG95234 specs: Shielding effectiveness data over frequency range** (with conductive shells)



## General Characteristics - Shells - Material and Finish



### Shells

They are manufactured in aluminum alloy or stainless steel and can be protected against corrosion by the following finishes (Halogen-free):

- **F7** : Black epoxy varnish (not conductive) - complies RoHS directives(\*)
- **F12** : Black Hard Deep Anodization (not conductive) - complies RoHS directives(\*)
- **F16** : CCF-Black passivation (conductive) - complies RoHS directives(\*)
- **F26** : Hard anodization (RoHS compliance)
- **F30** : Colorless passivation for stainless steel (for AISI 303 and AISI 304. Without passivation for AISI 316L)

(\*) *Restriction of Hazardous Substances Directives of the European Parliament n°2002/95/EC issued on 27 January 2003*  
*Alternative materials and finishes are available to suit specific requirements.*

Surface Treatment Code	F7	F12	F16	F26	F30
Shell-material	Aluminium alloy				Stainless Steel
Surface finish	epoxy-polyurethan	Hard Deep anodization	CCF cadmium free	Hard anodization	Colorless
Type of surface	varnished	passivated	passivated	passivated	passivated
Surface colour	black	black	black	black	-
Rohs conformity	yes	yes	yes	yes	yes
Corrosion resistance	500 h	2000 h	500*** h	1000 h **	> 2000 h
Operat. Temperature	-40°C ÷ + 125°C **				
Electrical conductivity	non-conductive	non-conductive	good	non-conductive	good
Shock and vibrations tests according EN 61373	Cat. 1 body mounted	Cat. 2 bogie mounted	Cat. 2 bogie mounted	Cat. 2 bogie mounted	Cat. 2 bogie mounted
IP protection degree (EN 60529)	IP54, IP67, IP68 (waterproof to 10 meters - 12 hours) when used with proper backshell or accessories				

\*\* *Consult our sales office*

\*\*\* *200h in case of components, panel and screws in stainless steel (galvanic corrosion)*

### Mechanical Characteristics

Coupling mechanism	Reverse Bayonet Connector
Mating endurance (IEC 61300-2-2)	500 mating cycles minimum (for use up to 2000 mating cycles, consult our commercial office)
Shock and vibrations tests (EN 61373)	Category 1 body mounted Category 2 bogie mounted

## General Characteristics - Rated Current and Rated Voltage



The values mentioned below are valid for usage at 20°C ambient temperature. Let us remind you that:

- when temperatures rise, the conductivity of the contacts and therefore the value of the applicable current decreases
- at the operating current and 20°C ambient temperature the connection temperature increases anyway
- in consequence to all of the above, the current applicable to a given temperature and a determined contact size must be carefully considered

The material of the insert must be chosen to comply with both room temperature and the one produced by the electrical connection.

If in doubt we suggest you consult our Sales Office.

Contact size	Maximum current*	Rated current***	Maximum voltage drop**	Test current
16	22A	13A	49mV	13A
12	41A	23A	42mV	23A
8	73A	46A	26mV	46A

*Rated current with one contact loaded in a contact arrangement.*

\* Valid for ambient temperature at 20°C.

\*\* Test according to SAE AS39029 with silver plated wire.

\*\*\* Valid for ambient temperature at 80°C.

### INSULATING CHARACTERISTICS AND RATED VOLTAGE

The values of the following table:

- are valid for usage at sea level
- refer to a clean environment of application. The pollution due to metallic or other impurities has to be taken into consideration.
- concern contacts with standard termination, solder or crimping, with size suitable for AWG section wires matching the relevant contact size. It is therefore necessary to pay attention when using contacts with crimp termination bigger than the nominal AWG size.

Service code	Operating Voltage Vdc	Operating Voltage Vac RMS****	Test Voltage Vac RMS****
I (instruments)	250	200	1000
A	700	500	2000
D	1250	900	2800
E	1750	1250	3500
B	2450	1750	4500
C	4200	3000	7000

\* The connectors do not show any sign of breakdown when the voltage indicated in the table is applied for one minute between the two closest contacts and between the shell and the contact closest to the shell.

Caution : When nominal operating voltage exceeds 50V towards earth, the appropriate safety measures have to be adopted as described by CEI 23, IEC 309-1, BS 2618, VDE 0100 specs. The data shown on the above table are applicable only when the above mentioned safety rules are fulfilled.

\*\*\*\* according MIL-DTL-5015 spec

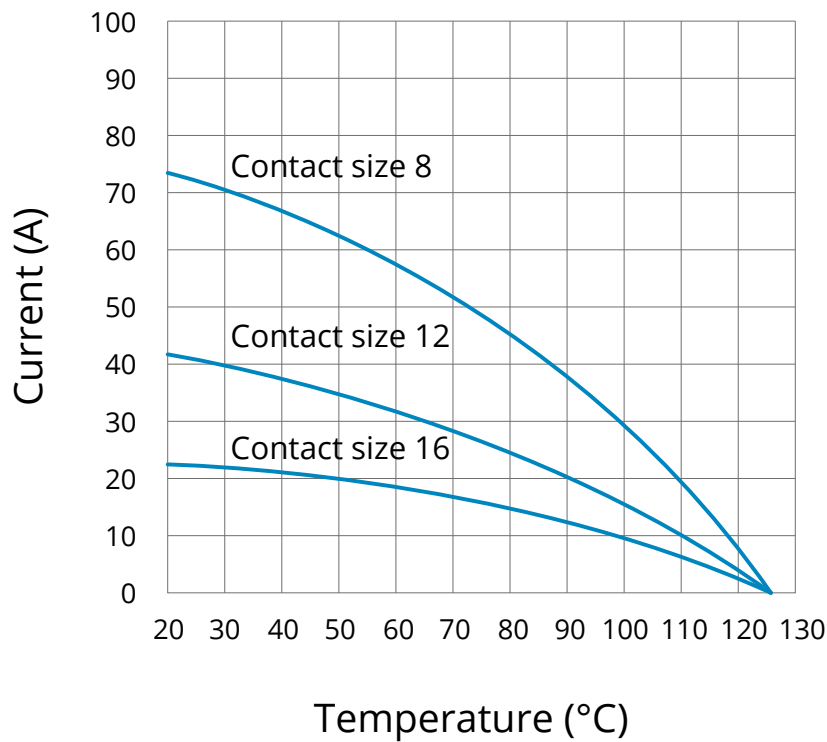
## General Characteristics - Contacts - Electrical characteristics

### RATED CURRENT

Recommended current according to the temperature.

Rated current with one contact loaded in a contact arrangement.

Electrical design and production parameters of threaded or bayonet coupling connectors are derived from Mil-DTL-5015 and VG 95234 standards. All circular connectors are produced and tested in accordance of VG 95234 standards.





## General Characteristics - Crimp Contacts

They are machined in high conductivity copper alloy in order to guarantee optimum connection properties and to provide resistance to vibration and continuous mating and unmating cycles.

They are protected by a silver (standard production) or gold finish with varying plating thickness on request.

As for connector codes to be supplied with specific finish contacts please consult the section referring to the P/N explanations on page 4.

Contacts for particular applications, alternative termination types and with special finishes are available to suit specific requirements.

### Engagement and disengagement force between contacts

Contact size	Engagement * in N. Max	Disengagement * in N. Max
16	5	0.56
12	7.5	0.83
8	15	1.39

\* Test according to SAE AS39029

16 contact size = 70 N minimum

12 contact size = 90 N minimum

8 contact size = 110 N minimum

### Contact Retention

### Crimp Rating

Inserts Arrangement	Contact Resistance mΩ max.	Contact size	N° of Contacts	Rated Current* A	
				Single Contact	Grouped Contacts
18-19	2.5	16	10	15	12
20-15	1.3	12	7	23	20
22-14	2.5	16	19	15	11.5
24-10	0.9	8	7	46	33
28-21	2.5	16	37	15	12
36-10	2.5	16	48	15	7.5
36A22	1.3	12	22	23	19
40A35	1.3	12	35	23	15.5
40A60	2.5	16	60	15	9
40A70	2.5	16	70	15	7.5

\* Acc. To NFF 61-030. Max heating allowed: 50°C

Single Contact: loaded into insulator. - Grouped Contacts: fully populated insulator, all contacts loaded.

# Insulating Inserts and Grommets - List by Shell size / Alternate Positions

## KVBS - Inserts Arrangement

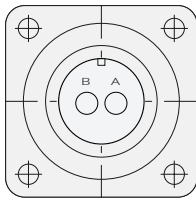
The following table lists the possible available positions for each arrangement.

Grommet	Inserts Arrangement	N° of Contacts	Contacts Size / Current Rating			Service Rating (Mil-DTL-5015)	Degrees for alternate positions			
			8 46A	12 23A	16 13A		W	X	Y	Z
●	18-19	10			10	A (700 Vdc - 500 Vac) *	-	120	240	-
●	20-15	7		7		A (700 Vdc - 500 Vac) *	80	-	-	280
●	22-14	19			19	A (700 Vdc - 500 Vac) *	80	110	250	280
●	24-10	7	7			A (700 Vdc - 500 Vac) *	80	-	-	280
●	28-21	37			37	A (700 Vdc - 500 Vac) *	80	110	250	280
●	36-10	48			48	A (700 Vdc - 500 Vac) *	80	125	235	280
●	36A22	22		22		D (1250 Vdc - 900 Vac) *	80	110	250	280
●	40A35	35		35		D (1250 Vdc - 900 Vac) *	70	130	230	290
●	40A60	60			60	A (700 Vdc - 500 Vac) *	80	110	250	280
●	40A70	70			70	A (700 Vdc - 500 Vac) *	80	110	250	280

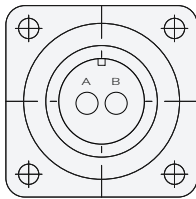
● Grommet Available

\* Rated voltage 380Vac / 500Vac - Test Voltage 3.250Vac RMS (according NF F 61-030)

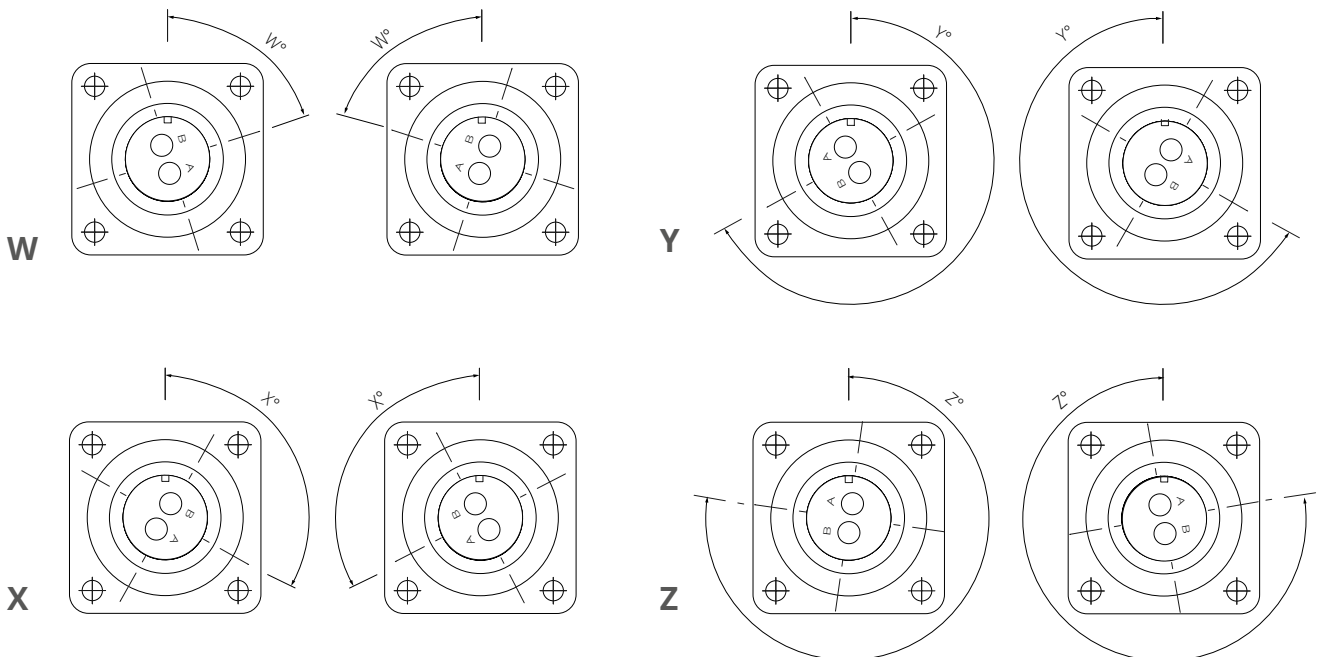
When more than one connector with the same arrangement is mounted on the same panel, it is advisable to orientate the connector. This means to rotate the insert with respect to the polarization key so that the connector can only be mated with the correct mating half.



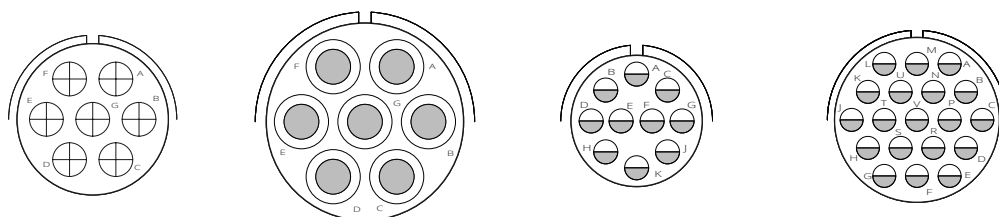
Front view mating side  
Pin insert  
Insert rotation



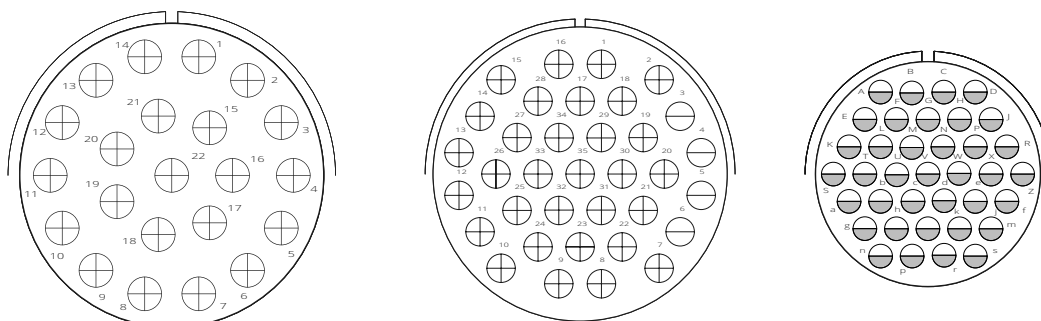
Front view mating side  
Socket insert  
Insert rotation



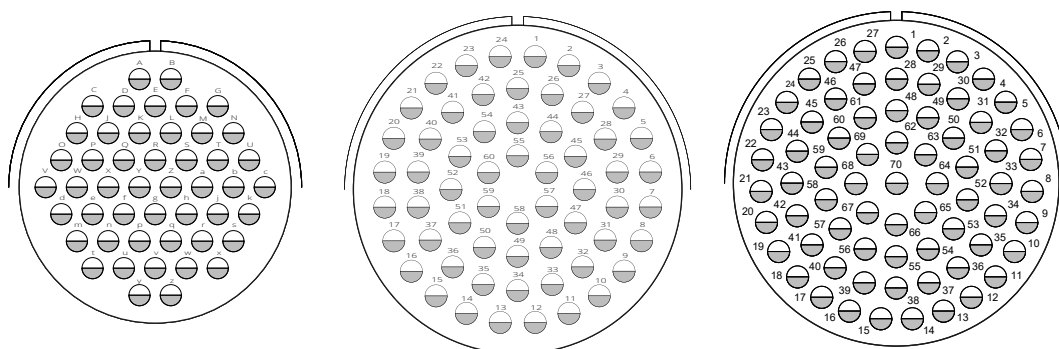
# Insulating Inserts and Grommets - List by contacts total quantity



Insert Arrangement	<b>20-15</b>	<b>24-10</b>	<b>18-19</b>	<b>22-14</b>
N° of Contacts	<b>7</b>	<b>7</b>	<b>10</b>	<b>19</b>
Contact Size/ Current rating	12 (23A)	8 (46A)	16 (13A)	16 (13A)
Service Rating	A 700 Vdc 500 Vac	A 700 Vdc 500 Vac	A 700 Vdc 500 Vac	A 700 Vdc 500 Vac
Grommet	●	●	●	●



Insert Arrangement	<b>36A22</b>	<b>40A35</b>	<b>28-21</b>
N° of Contacts	<b>22</b>	<b>35</b>	<b>37</b>
Contact Size/ Current rating	12 (23A)	12 (23A)	16 (13A)
Service Rating	D 1250 Vdc 900 Vac	D 1250 Vdc 900 Vac	A 700 Vdc 500 Vac
Grommet	●	●	●



Insert Arrangement	<b>36-10</b>	<b>40A60</b>	<b>40A70</b>
N° of Contacts	<b>48</b>	<b>60</b>	<b>70</b>
Contact Size/ Current rating	16 (13A)	16 (13A)	16 (13A)
Service Rating	A 700 Vdc 500 Vac	A 700 Vdc 500 Vac	A 700 Vdc 500 Vac
Grommet	●	●	●

● Grommet Available

Front view Pin contacts insert

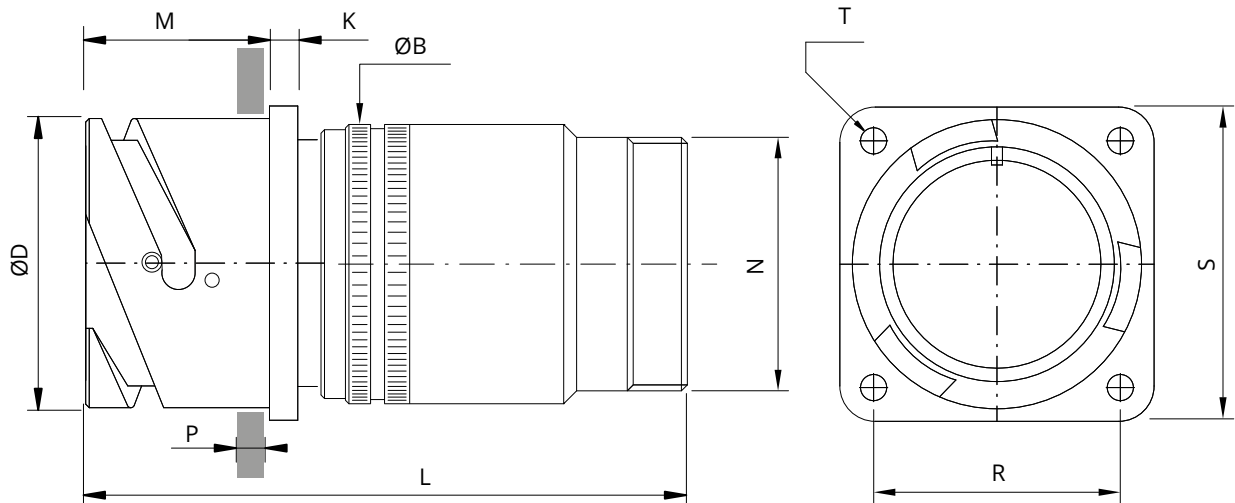
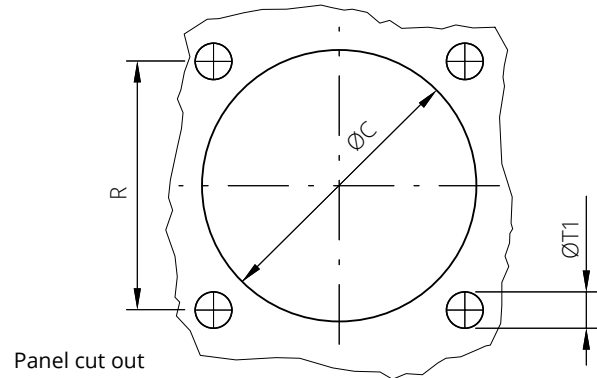
ST Contacts size legend



# KVBS - Bayonet Connector with protected mating ramps

## Rear Mounting Receptacle (030) with Backshell Class (A - DA - RA)

Connector with backshell provided with an external thread suitable for MS3057...A or C type cable-clamps (to be ordered separately).



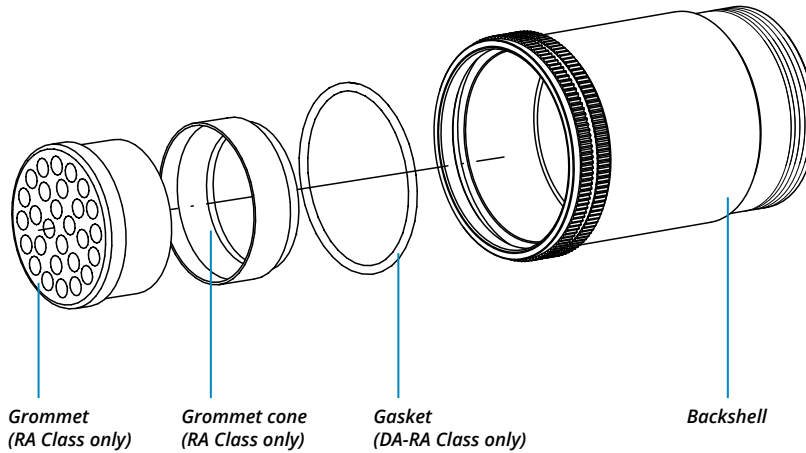
Shell size	ØD +0 -0.15	ØB ±0.2	L	M ±0.2	K ±0.2	N Backshell Thread in inches	R ±0.1	S ±0.3	ØT	ØT1	ØC ±0.2	P Panel Thickness Max
18	30.8	30	100	23.4	4	1"-20 UNEF	27	34.9	M4	4.5	31.7	7.25
20	34.2	32	100	23.4	4	1" 3/16-18 UNEF	29.4	38.1	M4	4.5	35	7.3
22	37.4	37	100	23.4	4	1" 3/16-18 UNEF	31.8	41	M4	4.5	38.3	7.3
24	40.9	40	105	23.4	4	1" 7/16-18 UNEF	34.9	44.5	M4	4.5	41.8	6.85
28	46.7	45	105	24.4	4	1" 7/16-18 UNEF	39.7	50.8	M5	5.5	47.6	7.8
36	59.6	58	125	24.4	4	2"-18 UNS	49.2	63.5	M5	5.5	60.5	7.5
40	65.5	63.8	125	24.4	4	2"1/4-16 UN	55.6	69.8	M5	5.5	66.4	7.5

Dimensions in mm

Dimension "L" can be different from the value indicated according to backshells accessories, wires size and some special insert configurations.

# KVBS - Bayonet Connector with protected mating ramps

<input type="checkbox"/>	<b>KVBS</b>	<input type="checkbox"/>	<b>030</b>	<b>DA</b>	<b>T</b>	<b>24-10</b>	<b>S</b>	<b>X</b>	<b>LC</b>	<input type="checkbox"/>	<b>F7</b>	<b>G</b>	<b>N</b>
<b>Series Code</b>	<b>Shell Material Type</b>	<b>Shell Type</b>	<b>Connector Class</b>								<b>Shell finish</b>		



<input type="checkbox"/>	<b>Insulating material</b>	-	Thermoplastic resin	<b>S</b>	<b>Contact Gender</b>	<b>S</b>	Socket contacts
<b>KVBS</b>	<b>Series Code</b>	<b>KVBS</b>	Bayonet Connector with protected mating ramps	<b>X</b>	<b>Polarization Code**</b>		Page 14
<input type="checkbox"/>	<b>Shell Material</b>	-	Aluminum	<b>LC</b>	<b>Contact Termination</b>	<b>LC</b>	Less contacts
<b>030</b>	<b>Shell Type</b>	<b>030</b>	Rear mounting Receptacle	<b>-</b>	<b>Contact Plating</b>	<b>-</b>	Silver plating
<b>DA</b>	<b>Connector Class</b>	<b>A</b>	non watertight	<b>F7</b>	<b>Shell finish</b>	<b>F7</b>	Black epoxy varnish (*)
		<b>DA</b>	with waterproof O-ring (IP67***)			<b>F16</b>	CCF - Black passivation (*) - conductive
		<b>RA</b>	with waterproof O-ring and grommet (IP67***)			<b>F26</b>	hard anodization (*)
<b>T</b>	<b>Connector Modification**</b>	<b>T</b>	With plastic caps	<b>G</b>	<b>Panel Gasket</b>	<b>-</b>	Without gasket
		<b>-</b>	Receptacle connector with threaded holes			<b>G</b>	With waterproof panel gasket
		<b>FP</b>	Receptacle connector with through holes			<b>G3</b>	With waterproof shielded panel gasket
<b>24-10</b>	<b>Insert Arrangement</b>		Page 14	<b>N</b>	<b>Modification Code**</b>	<b>N</b>	Consult our sales office
						<b>S</b>	

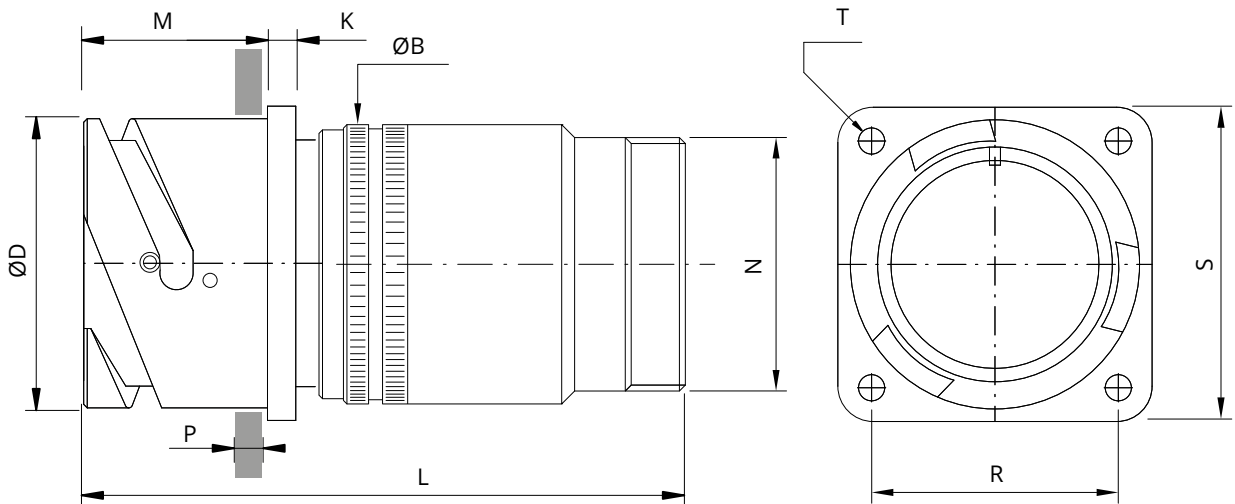
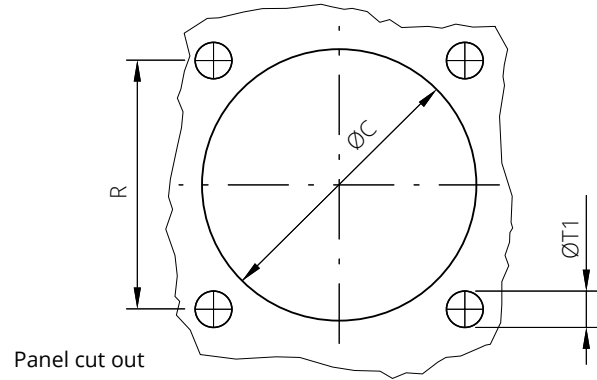
\*\*\* Protection degree: IP 67 (only in the mating area with mated connectors) according to EN 60529 (\*) RoHS compliance (\*\*) If required

P/N Sample: KVBS 030DAT 24-10SX LC F7 G N

# KVBS - Bayonet Connector with protected mating ramps

## Rear Mounting Receptacle (030) with Backshell Class (SA - SDA - SRA)

Connector with short backshell provided with an external thread suitable for MS3057...A or C type cable-clamps (to be ordered separately).



Shell size	ØD +0 -0.15	ØB ±0.2	L	M ±0.2	K ±0.2	N Backshell Thread in inches	R ±0.1	S ±0.3	ØT	ØT1	ØC ±0.2	P Panel Thickness Max
18	30.8	30	**	23.4	4	1"-20 UNEF	27	34.9	M4	4.5	31.7	7.25
20	34.2	32	**	23.4	4	1" 3/16-18 UNEF	29.4	38.1	M4	4.5	35	7.3
22	37.4	37	**	23.4	4	1" 3/16-18 UNEF	31.8	41	M4	4.5	38.3	7.3
24	40.9	40	**	23.4	4	1" 7/16-18 UNEF	34.9	44.5	M4	4.5	41.8	6.85
28	46.7	45	**	24.4	4	1" 7/16-18 UNEF	39.7	50.8	M5	5.5	47.6	7.8
36	59.6	58	**	24.4	4	2"-18 UNS	49.2	63.5	M5	5.5	60.5	7.5
40	65.5	63.8	**	24.4	4	2"1/4-16 UN	55.6	69.8	M5	5.5	66.4	7.5

\*\* Consult our sales office

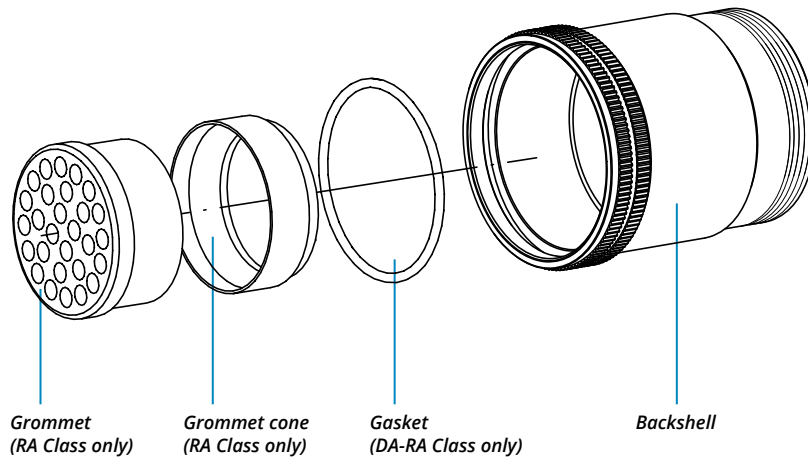
Dimensions in mm

Dimension "L" can be different from the value indicated according to backshells accessories, wires size and some special insert configurations.

# KVBS - Bayonet Connector with protected mating ramps



Series Code: KVBS    Shell Material Type: 030    Connector Class: SDA    T    24-10    S    X    LC    Shell finish: F7    G    N



<input type="checkbox"/>	<b>Insulating material</b>	-	Thermoplastic resin	<input type="checkbox"/>	<b>Contact Gender</b>	<b>S</b>	Socket contacts
<input type="checkbox"/>	<b>Series Code</b>	<b>KVBS</b>	Bayonet Connector with protected mating ramps	<input type="checkbox"/>	<b>Contact Gender</b>	<b>P</b>	Pin contacts
<input type="checkbox"/>	<b>Shell Material</b>	-	Aluminum	<input type="checkbox"/>	<b>Polarization Code**</b>		Page 14
<input type="checkbox"/>	<b>Shell Type</b>	<b>030</b>	Rear mounting Receptacle	<input type="checkbox"/>	<b>Contact Termination</b>	<b>LC</b>	Less contacts
<input type="checkbox"/>	<b>Connector Class</b>	<b>SA</b>	non watertight	<input type="checkbox"/>	<b>Contact Plating</b>	-	Silver plating
<input type="checkbox"/>	<b>Connector Class</b>	<b>SDA</b>	with waterproof O-ring (IP67***)	<input type="checkbox"/>	<b>Contact Plating</b>	<b>CD5</b>	Gold plating
<input type="checkbox"/>	<b>Connector Class</b>	<b>SRA</b>	with waterproof O-ring and grommet (IP67***)	<input type="checkbox"/>	<b>Shell finish</b>	<b>F7</b>	Black epoxy varnish (*)
<input type="checkbox"/>	<b>Connector Modification**</b>	<b>T</b>	With plastic caps	<input type="checkbox"/>	<b>Shell finish</b>	<b>F16</b>	CCF - Black passivation (*) - conductive
<input type="checkbox"/>	<b>Connector Modification**</b>	-	Receptacle connector with threaded holes	<input type="checkbox"/>	<b>Shell finish</b>	<b>F26</b>	hard anodization (*)
<input type="checkbox"/>	<b>Connector Modification**</b>	<b>FP</b>	Receptacle connector with through holes	<input type="checkbox"/>	<b>Panel Gasket</b>	-	Without gasket
<input type="checkbox"/>	<b>Insert Arrangement</b>		Page 14	<input type="checkbox"/>	<b>Panel Gasket</b>	<b>G</b>	With waterproof panel gasket
<input type="checkbox"/>	<b>Insert Arrangement</b>		Page 14	<input type="checkbox"/>	<b>Panel Gasket</b>	<b>G3</b>	With waterproof shielded panel gasket
<input type="checkbox"/>	<b>Modification Code**</b>	<b>N</b>	Consult our sales office	<input type="checkbox"/>	<b>Modification Code**</b>	<b>N</b>	Consult our sales office
<input type="checkbox"/>	<b>Modification Code**</b>	<b>S</b>	Consult our sales office	<input type="checkbox"/>	<b>Modification Code**</b>	<b>S</b>	Consult our sales office

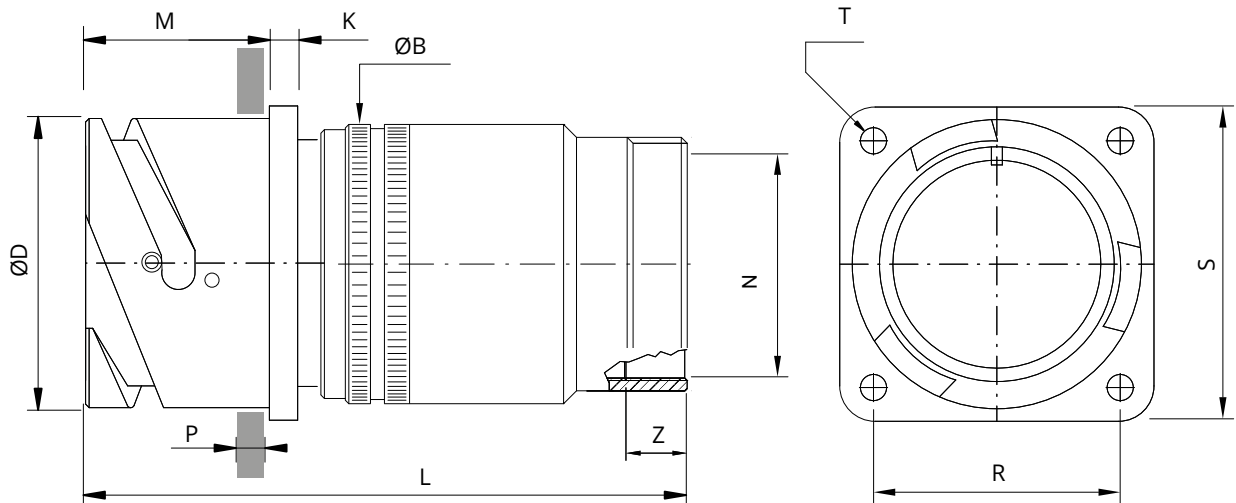
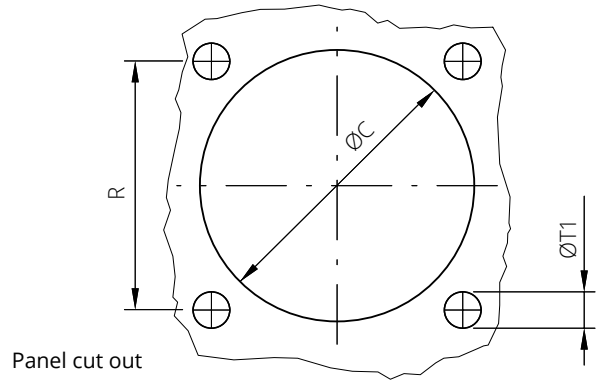
\*\*\* Protection degree: IP 67 (only in the mating area with mated connectors) according to EN 60529 (\*) RoHS compliance (\*\*) If required

P/N Sample: KVBS 030SDAT 24-10SX LC F7 G N

# KVBS - Bayonet Connector with protected mating ramps

## Rear Mounting Receptacle (030) with Backshell Class (DA..M - RA..M)

Connector with backshell provided with an internal Metric thread suitable for cable glands or conduit adapters.



Shell size	ØD +0 -0.15	ØB ±0.2	L	M ±0.2	K ±0.2	Z min	N Backshell Metric Thread	R ±0.1	S ±0.3	ØT	ØT1	ØC ±0.2	P Panel Thickness Max
18	30.8	30	100	23.4	4	*	M20	27	34.9	M4	4.5	31.7	7.25
20	34.2	32	100	23.4	4	16	M25	29.4	38.1	M4	4.5	35	7.3
22	37.4	37	100	23.4	4	*	M25	31.8	41	M4	4.5	38.3	7.3
24	40.9	40	105	23.4	4	*	M32	34.9	44.5	M4	4.5	41.8	6.85
28	46.7	45	105	24.4	4	15	M32 - M40	39.7	50.8	M5	5.5	47.6	7.8
36	59.6	58	125	24.4	4	*	M40	49.2	63.5	M5	5.5	60.5	7.5
40	65.5	63.8	125	24.4	4	*	M50	55.6	69.8	M5	5.5	66.4	7.5

Dimensions in mm

\* On Request

Dimension "L" can be different from the value indicated according to backshells accessories, wires size and some special insert configurations.



# KVBS - Bayonet Connector with protected mating ramps



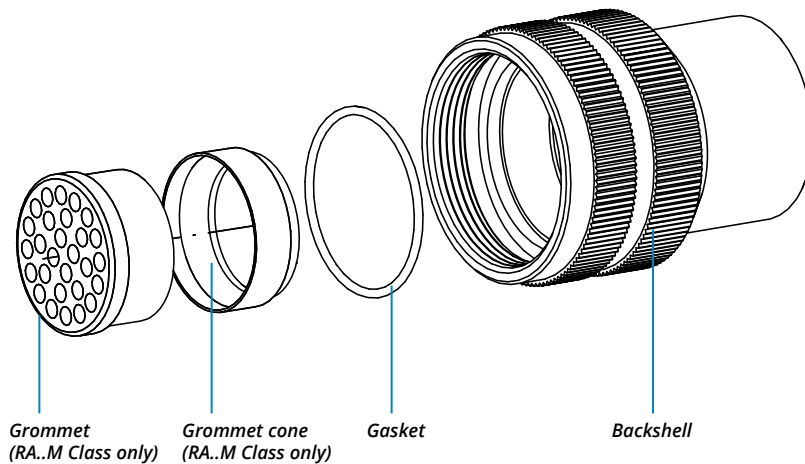
Series Code

Shell Type

Connector Class

Backshell internal thread

Shell finish



<input type="checkbox"/>	<b>Insulating material</b>	-	Thermoplastic resin	<input type="checkbox"/>	<b>Polarization Code**</b>		Page 14
<input checked="" type="checkbox"/>	<b>Series Code</b>	<b>KVBS</b>	Bayonet Connector with protected mating ramps	<input checked="" type="checkbox"/>	<b>Backshell internal thread</b>	<b>Mxx</b>	Provided with an internal Metric thread
<input type="checkbox"/>	<b>Shell Material</b>	-	Aluminum	<input type="checkbox"/>	<b>Contact Termination</b>	<b>LC</b>	Less contacts
<input checked="" type="checkbox"/>	<b>Shell Type</b>	<b>030</b>	Rear mounting Receptacle	<input type="checkbox"/>	<b>Contact Plating</b>	-	Silver plating
<input checked="" type="checkbox"/>	<b>Connector Class</b>	<b>DA</b>	with waterproof O-ring (IP67***)	<input type="checkbox"/>	<b>Contact Plating</b>	<b>CD5</b>	Gold plating
<input type="checkbox"/>	<b>Connector Class</b>	<b>RA</b>	with waterproof O-ring and grommet (IP67***)	<input checked="" type="checkbox"/>	<b>Shell finish</b>	<b>F7</b>	Black epoxy varnish (*)
<input type="checkbox"/>	<b>Connector Class</b>	<b>T</b>	With plastic caps	<input type="checkbox"/>	<b>Shell finish</b>	<b>F16</b>	CCF - Black passivation (*) - conductive
<input type="checkbox"/>	<b>Connector Modification**</b>	-	Receptacle connector with threaded holes	<input type="checkbox"/>	<b>Shell finish</b>	<b>F26</b>	hard anodization (*)
<input type="checkbox"/>	<b>Connector Modification**</b>	<b>FP</b>	Receptacle connector with through holes	<input type="checkbox"/>	<b>Panel Gasket</b>	-	Without gasket
<input type="checkbox"/>	<b>Insert Arrangement</b>		Page 14	<input type="checkbox"/>	<b>Panel Gasket</b>	<b>G</b>	With waterproof panel gasket
<input type="checkbox"/>	<b>Contact Gender</b>	<b>S</b>	Socket contacts	<input type="checkbox"/>	<b>Panel Gasket</b>	<b>G3</b>	With waterproof shielded panel gasket
<input type="checkbox"/>	<b>Contact Gender</b>	<b>P</b>	Pin contacts	<input type="checkbox"/>	<b>Modification Code**</b>	<b>N</b>	Consult our sales office
<input type="checkbox"/>	<b>Contact Gender</b>			<input type="checkbox"/>	<b>Modification Code**</b>	<b>S</b>	

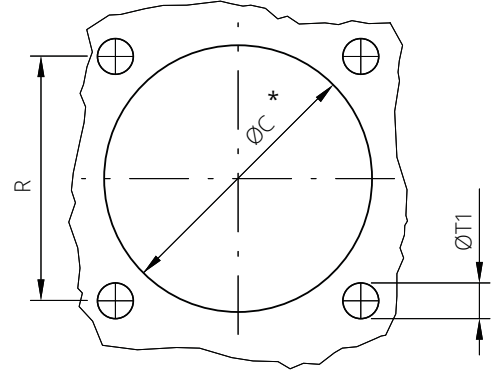
\*\*\* Protection degree: IP 67 (only in the mating area with mated connectors) according to EN 60529 (\*) RoHS compliance (\*\*) If required

P/N Sample: KVBS 030DAT 24-10SX M20 LC F7 G N

# KVBS - Bayonet Connector with protected mating ramps

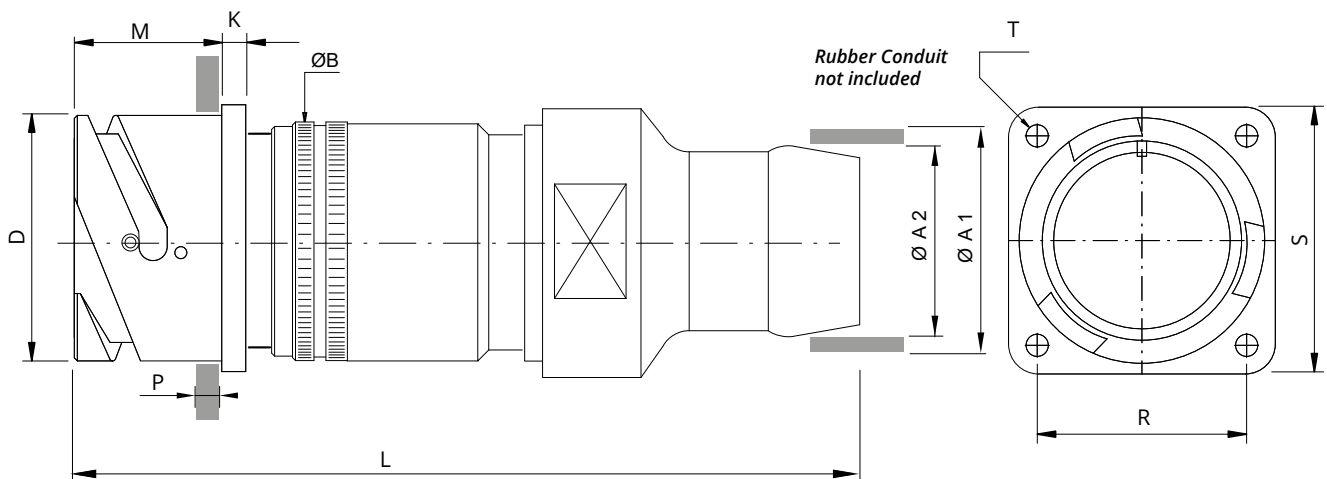
## Rear Mounting Receptacle (030) with Backshell Class (DA...FS - RA...FS)

Connector with special adapter for UNI4883 rubber conduits.  
Conduit's size must be specified adding the diameter dimensions in the P/N (i.e.: KVBS 030DA...FS5040...).



Panel cut out

\* For installation with backshell mounted, consult our sales office.



Shell size	ØD +0 -0.15	ØB ±0.2	L	M ±0.2	K ±0.2	R ±0.1	S ±0.3	ØT	ØT1	ØC ±0.2	P Panel Thickness Max
18	30.8	30	**	23.4	4	27	34.9	M4	4.5	31.7	7.25
20	34.2	32	**	23.4	4	29.4	38.1	M4	4.5	35	7.3
22	37.4	37	**	23.4	4	31.8	41	M4	4.5	38.3	7.3
24	40.9	40	**	23.4	4	34.9	44.5	M4	4.5	41.8	6.85
28	46.7	45	**	24.4	4	39.7	50.8	M5	5.5	47.6	7.8
36	59.6	58	**	24.4	4	49.2	63.5	M5	5.5	60.5	7.5
40	65.5	63.8	**	24.4	4	55.6	69.8	M5	5.5	66.4	7.5

Shell size	Backshell Conduit Size	ØA1	ØA2
16-18-20	FS2015	20	15
20-22-24-28	FS2520	25	20
18-20-22-24	FS2722	27	22
20-22-24-28	FS3328	33	28
24-28	FS3530	35	30
28-36	FS4035	40	35
28-40	FS4540	45	40
40	FS5040	50	40
36-40	FS5045	50	45
40	FS5550	55	50
40	FS5945	59	45

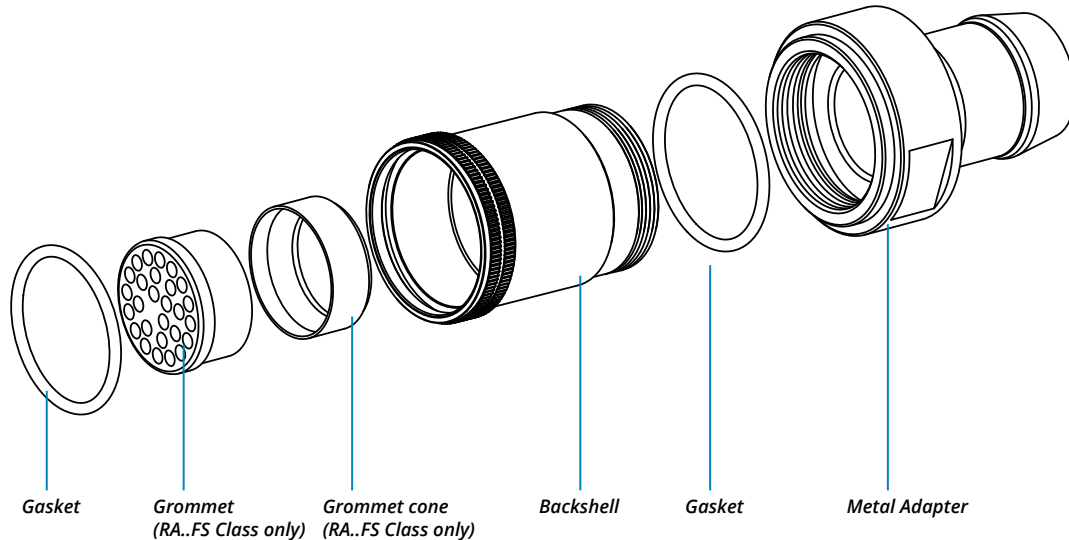
\*\* Consult our sales office

Dimensions in mm

Dimension "L" can be different from the value indicated according to backshells accessories, wires size and some special insert configurations.

# KVBS - Bayonet Connector with protected mating ramps

<b>KVBS</b>	<b>030</b>	<b>DA</b>	<b>T</b>	<b>24-10</b>	<b>S</b>	<b>X</b>	<b>FS..</b>	<b>xxxx</b>	<b>LC</b>	<b>F7</b>	<b>G</b>	<b>N</b>
<b>Series Code</b>	<b>Shell Type</b>	<b>Connector Class</b>					<b>Backshell Conduits size</b>			<b>Shell finish</b>		



The accessories for this class are not always available in stock for all sizes; we suggest you consult our Sales Office for availability

<b>Insulating material</b>	-	Thermoplastic resin	<b>X</b>	<b>Polarization Code**</b>		Page 14
<b>KVBS</b>	<b>Series Code</b>	<b>KVBS</b>	Bayonet Connector with protected mating ramps	<b>FS..</b>	<b>Backshell Conduits size</b>	<b>FS</b> Provided with a special adapter for UNI4883 rubber conduits
<b>Shell Material</b>	-	Aluminum	<b>xxxx</b>	<b>Conduit Size</b>	<b>xxxx</b>	ØA1ØA2
<b>030</b>	<b>Shell Type</b>	<b>030</b>	Rear mounting Receptacle	<b>LC</b>	<b>Contact Termination</b>	<b>LC</b> Less contacts
<b>DA</b>	<b>Connector Class</b>	<b>DA</b>	with waterproof O-ring (IP67***)	<b>-</b>	<b>Contact Plating</b>	<b>-</b> Silver plating
		<b>RA</b>	with waterproof O-ring and grommet (IP67***)			<b>CD5</b> Gold plating
		<b>T</b>	With plastic caps	<b>F7</b>	<b>Shell finish</b>	<b>F7</b> Black epoxy varnish (*)
<b>T</b>	<b>Connector Modification**</b>	<b>-</b>	Receptacle connector with threaded holes			<b>F16</b> CCF - Black passivation (*) - conductive
		<b>FP</b>	Receptacle connector with through holes			<b>F26</b> hard anodization (*)
<b>24-10</b>	<b>Insert Arrangement</b>		Page 14	<b>G</b>	<b>Panel Gasket</b>	<b>-</b> Without gasket
<b>S</b>	<b>Contact Gender</b>	<b>S</b>	Socket contacts			<b>G</b> With waterproof panel gasket
		<b>P</b>	Pin contacts			<b>G3</b> With waterproof shielded panel gasket
				<b>N</b>	<b>Modification Code**</b>	<b>N</b> Consult our sales office
						<b>S</b>

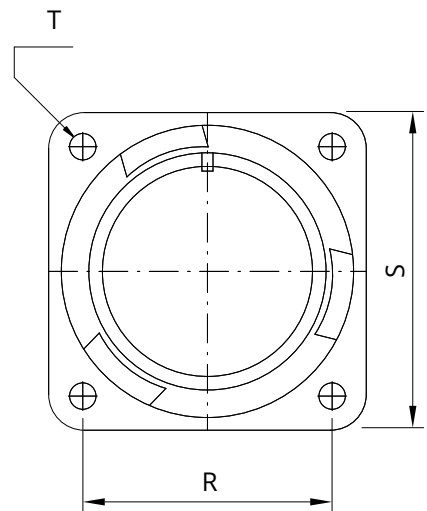
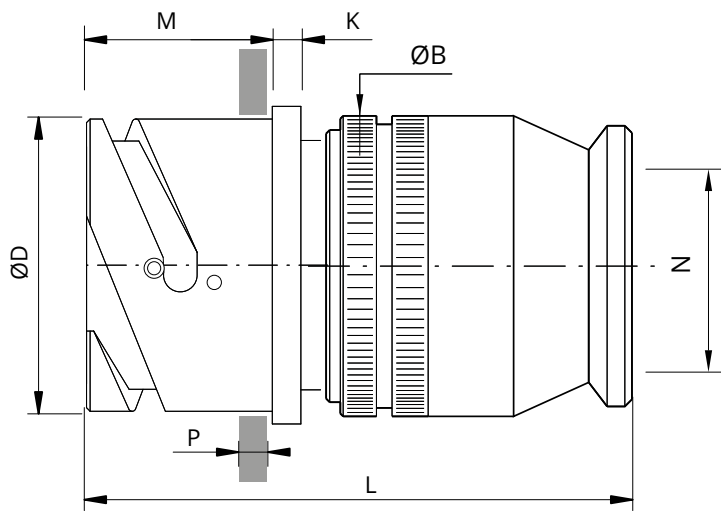
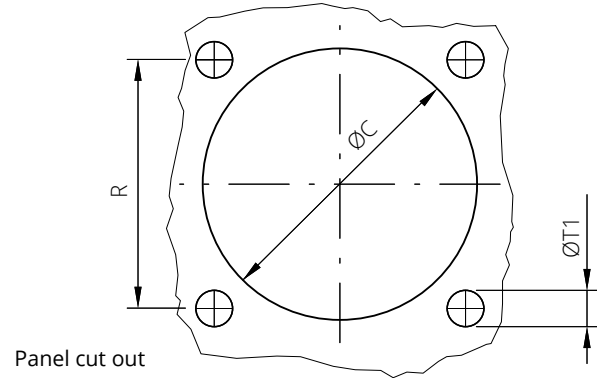
\*\*\* Protection degree: IP 67 (only in the mating area with mated connectors) according to EN 60529 (\*) RoHS compliance (\*\*\*) If required

P/N Sample: KVBS 030DAT 24-10SX FS2015 LC F7 G N

# KVBS - Bayonet Connector with protected mating ramps

## Rear Mounting Receptacle (030) with Backshell Class (R)

This class is suitable to connect single wires when strain relief is not necessary and small longitudinal overall dimensions are needed. As watertightness is guaranteed by the grommet only, it is necessary to make sure the wire diameter matches the grommet sealing range.



Shell size	ØD +0 -0.15	ØB ±0.2	L	K ±0.2	M ±0.2	N max cable dimension	R ±0.1	S ±0.3	ØT	ØT1	ØC ±0.2	P Panel Thickness Max
18	30.8	29.4	70	4	23.4	19	27	34.9	M4	4.5	31.7	7.25
20	34.2	32	70	4	23.4	22.2	29.4	38.1	M4	4.5	35	7.3
22	37.4	37	73	4	23.4	24.5	31.8	41	M4	4.5	38.3	7.3
24	40.9	40	73	4	23.4	28	34.9	44.5	M4	4.5	41.8	6.85
28	46.7	45	74	4	24.4	32.6	39.7	50.8	M5	5.5	47.6	7.8
36	59.6	58	75	4	24.4	45	49.2	63.5	M5	5.5	60.5	7.5
40	65.5	63.2	75	4	24.4	51.3	55.6	69.8	M5	5.5	66.4	7.5

Dimensions in mm

Dimension "L" can be different from the value indicated according to backshells accessories, wires size and some special insert configurations.

# KVBS - Bayonet Connector with protected mating ramps

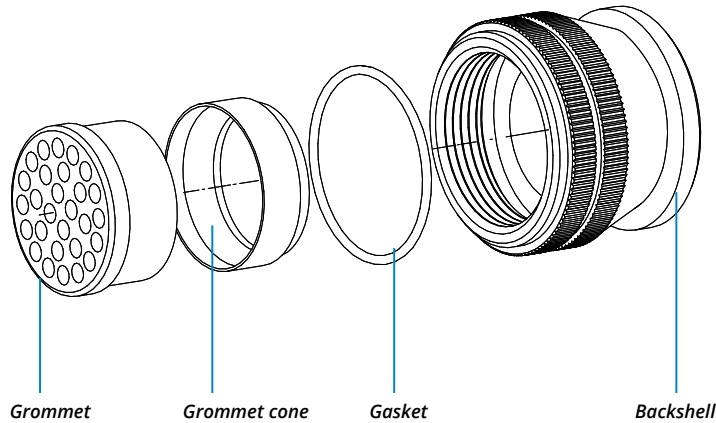


Series Code

Shell Type

Connector Class

Shell finish



The accessories for this class are not always available in stock for all sizes; we suggest you consult our Sales Office for availability

<input type="checkbox"/>	<b>Insulating material</b>	-	Thermoplastic resin	<input type="checkbox"/>	<b>Contact Gender</b>	<b>S</b>	Socket contacts
<input checked="" type="checkbox"/>	<b>Series Code</b>	<b>KVBS</b>	Bayonet Connector with protected mating ramps	<input type="checkbox"/>	<b>Contact Gender</b>	<b>P</b>	Pin contacts
<input type="checkbox"/>	<b>Shell Material</b>	-	Aluminum	<input type="checkbox"/>	<b>Polarization Code**</b>		Page 14
<input checked="" type="checkbox"/>	<b>Shell Type</b>	<b>030</b>	Rear mounting Receptacle	<input type="checkbox"/>	<b>Contact Termination</b>	<b>LC</b>	Less contacts
<input checked="" type="checkbox"/>	<b>Connector Class</b>	<b>R</b>	With O-ring and grommet	<input type="checkbox"/>	<b>Contact Plating</b>	-	Silver plating
<input type="checkbox"/>	<b>Connector Modification**</b>	<b>T</b>	With plastic caps	<input checked="" type="checkbox"/>	<b>Shell finish</b>	<b>F7</b>	Black epoxy varnish (*)
<input type="checkbox"/>	<b>Connector Modification**</b>	-	Receptacle connector with threaded holes	<input type="checkbox"/>	<b>Shell finish</b>	<b>F16</b>	CCF - Black passivation (*) - conductive
<input type="checkbox"/>	<b>Connector Modification**</b>	<b>FP</b>	Receptacle connector with through holes	<input type="checkbox"/>	<b>Shell finish</b>	<b>F26</b>	hard anodization (*)
<input type="checkbox"/>	<b>Insert Arrangement</b>		Page 14	<input type="checkbox"/>	<b>Panel Gasket</b>	-	Without gasket
				<input type="checkbox"/>	<b>Panel Gasket</b>	<b>G</b>	With waterproof panel gasket
				<input type="checkbox"/>	<b>Panel Gasket</b>	<b>G3</b>	With waterproof shielded panel gasket
				<input type="checkbox"/>	<b>Modification Code**</b>	<b>N</b>	Consult our sales office
				<input type="checkbox"/>	<b>Modification Code**</b>	<b>S</b>	Consult our sales office

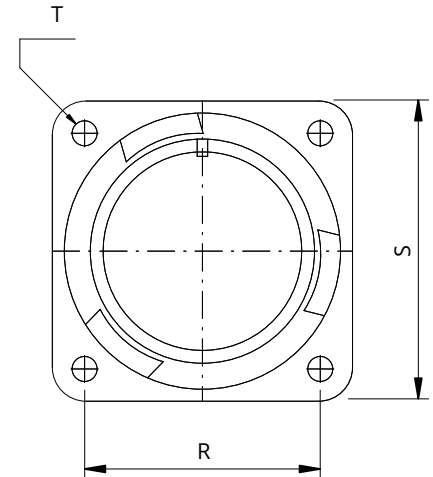
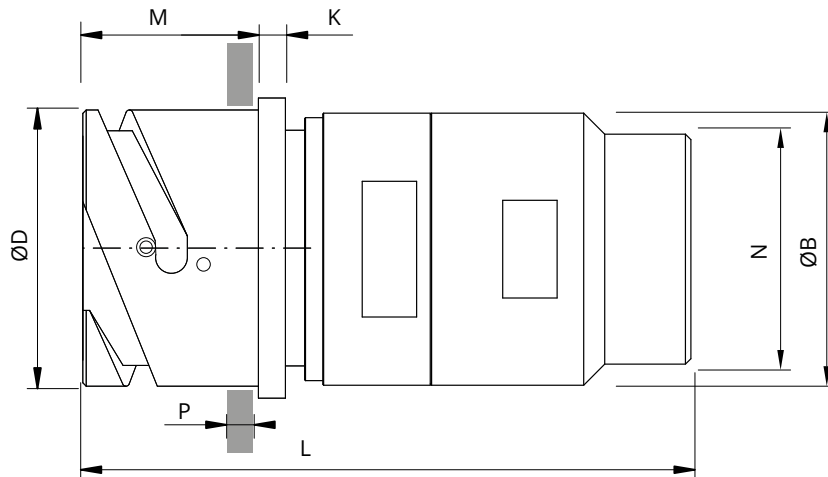
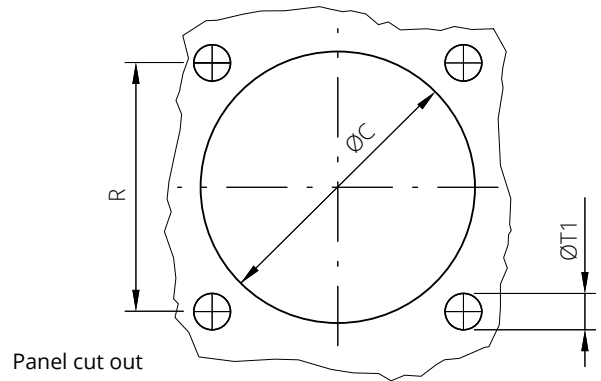
P/N Sample: KVBS 030RT 24-10SX LC F7 G N

(\*) RoHS compliance (\*\*\*) If required

# KVBS - Bayonet Connector with protected mating ramps

## Rear Mounting Receptacle (030) with Backshell Class (AST - ST)

Connector with backshell with internal cable retention system (on request ST1/ST2 with clamps for cable diameter reduction) with an external unef thread



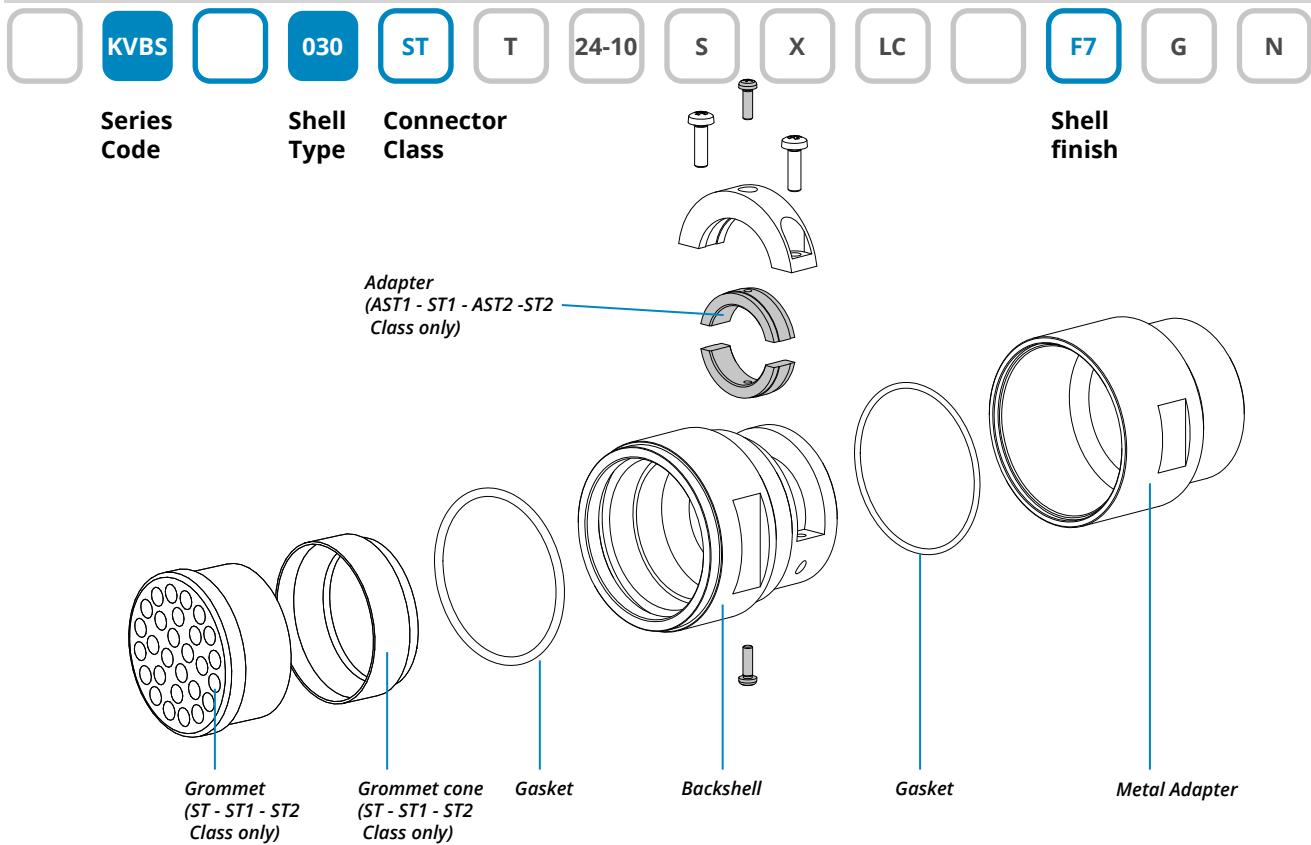
Shell size	ØD +0 -0.15	ØB ±0.2	L	M ±0.2	K ±0.2	N Backshell Thread in inches	R ±0.1	S ±0.3	ØT	ØT1	ØC ±0.2	P Panel Thickness Max	Cable Range		
													ST	ST1	ST2
18	30.8	30	110	23.4	4	1"-20 UNEF	27	34.9	M4	4.5	31.7	7.25	14-9	9-4	*
20	34.2	32	121	23.4	4	1" 3/16-18 UNEF	29.4	38.1	M4	4.5	35	7.3	19-14	14-9	*
22	37.4	38	122,2	23.4	4	1" 3/16-18 UNEF	31.8	41	M4	4.5	38.3	7.3	19-14	14-9	*
24	40.9	45	115	23.4	4	1" 7/16-18 UNEF	34.9	44.5	M4	4.5	41.8	6.85	23-18	18-13	*
28	46.7	48	115	24.4	4	1" 7/16-18 UNEF	39.7	50.8	M5	5.5	47.6	7.8	23-18	18-13	*
36	59.6	58	135	24.4	4	2"-18 UNS	49.2	63.5	M5	5.5	60.5	7.5	33-25	25-18	*
40	65.5	65	135	24.4	4	2" 1/4-16 UN	55.6	69.8	M5	5.5	66.4	7.5	39-31	31-24	24-16

Dimensions in mm

\* On request (please consult our Sales Office)

Dimension "L" can be different from the value indicated according to backshells accessories, wires size and some special insert configurations.

# KVBS - Bayonet Connector with protected mating ramps



<input type="checkbox"/>	<b>Insulating material</b>	-	Thermoplastic resin	<b>24-10</b>	<b>Insert Arrangement</b>	Page 14	
<b>KVBS</b>	<b>Series Code</b>	<b>KVBS</b>	Bayonet Connector with protected mating ramps	<b>S</b>	<b>Contact Gender</b>	<b>S</b>	Socket contacts
<input type="checkbox"/>	<b>Shell Material</b>	-	Aluminum	<b>P</b>		<b>P</b>	Pin contacts
<b>030</b>	<b>Shell Type</b>	<b>030</b>	Rear mounting Receptacle	<b>X</b>	<b>Polarization Code**</b>	Page 14	
<b>ST</b>	<b>Connector Class</b>	<b>AST</b>	with waterproof O-ring (IP67***)	<b>LC</b>	<b>Contact Termination</b>	<b>LC</b>	Less contacts
		<b>ST</b>	with waterproof O-ring and grommet (IP67***)	<b>-</b>	<b>Contact Plating</b>	<b>-</b>	Silver plating
		<b>AST1</b>	with waterproof O-ring (IP67***)	<b>F7</b>	<b>Shell finish</b>	<b>F7</b>	Black epoxy varnish (*)
		<b>ST1</b>	with waterproof O-ring and grommet (IP67***)			<b>F16</b>	CCF - Black passivation (*) conductive
		<b>AST2</b>	with waterproof O-ring (IP67***)			<b>F26</b>	hard anodization (*)
		<b>ST2</b>	with waterproof O-ring and grommet (IP67***)	<b>G</b>	<b>Panel Gasket</b>	<b>-</b>	Without gasket
<b>T</b>	<b>Connector Modification**</b>	<b>T</b>	With plastic caps			<b>G</b>	With waterproof panel gasket
		<b>-</b>	Receptacle connector with threaded holes			<b>G3</b>	With waterproof shielded panel gasket
		<b>FP</b>	Receptacle connector with through holes	<b>N</b>	<b>Modification Code**</b>	<b>N</b>	Consult our sales office
						<b>S</b>	

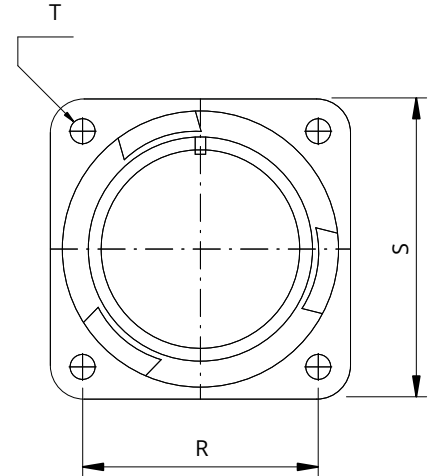
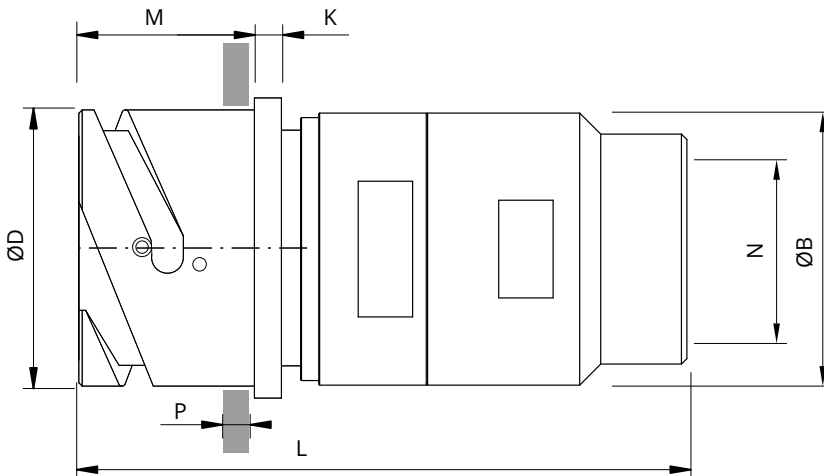
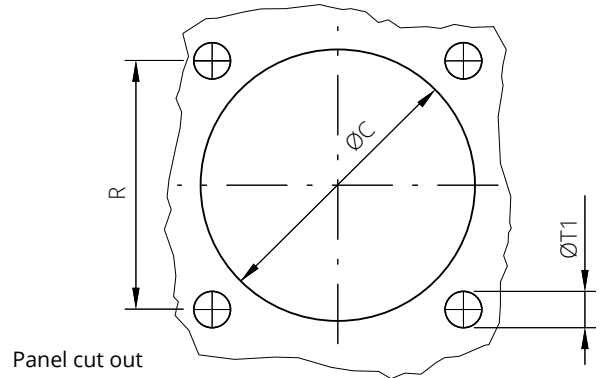
\*\*\* Protection degree: IP 67 (only in the mating area with mated connectors) according to EN 60529 (\*) RoHS compliance (\*\*) If required

P/N Sample: KVBS 030STT 24-10SX LC F7 G N

# KVBS - Bayonet Connector with protected mating ramps

## Rear Mounting Receptacle (030) with Backshell Class (AST..M - ST..M)

Connector with backshell with internal cable retention system (on request ST1/ST2 with clamps for cable diameter reduction) with an internal Metric thread



Shell size	ØD +0 -0.15	ØB ±0.2	L	M ±0.2	K ±0.2	N Backshell Thread Metric	R ±0.1	S ±0.3	ØT	ØT1	ØC ±0.2	P Panel Thickness Max	Cable Range		
													ST	ST1	ST2
18	30.8	30	110	23.4	4	M16 - M20	27	34.9	M4	4.5	31.7	7.25	14-9	9-4	*
20	34.2	32	121	23.4	4	M20	29.4	38.1	M4	4.5	35	7.3	19-14	14-9	*
22	37.4	38	122,2	23.4	4	M25	31.8	41	M4	4.5	38.3	7.3	19-14	14-9	*
24	40.9	45	115	23.4	4	M25	34.9	44.5	M4	4.5	41.8	6.85	23-18	18-13	*
28	46.7	48	115	24.4	4	M32	39.7	50.8	M5	5.5	47.6	7.8	23-18	18-13	*
36	59.6	58	135	24.4	4	M32 - M40	49.2	63.5	M5	5.5	60.5	7.5	33-25	25-18	*
40	65.5	65	135	24.4	4	M40 - M50	55.6	69.8	M5	5.5	66.4	7.5	39-31	31-24	24-16

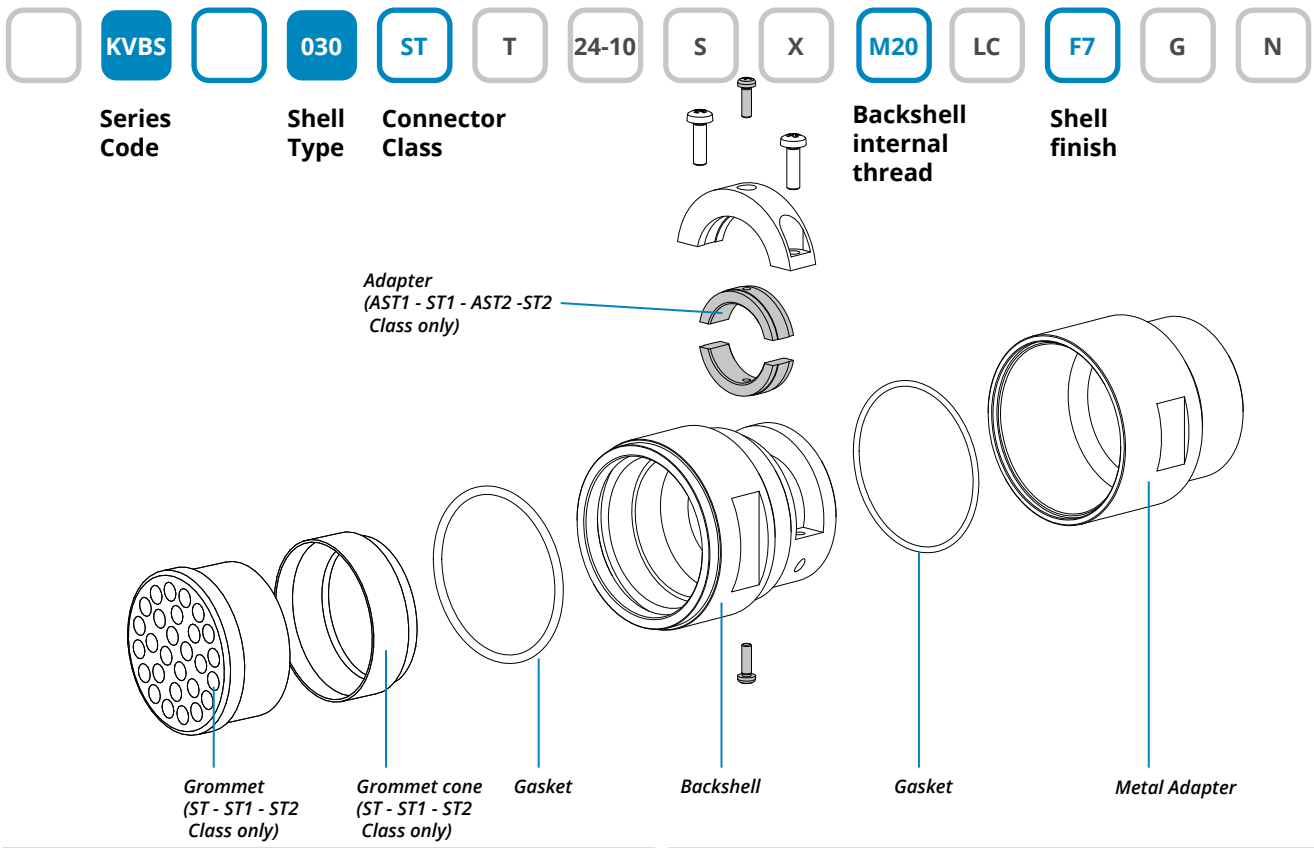
Dimensions in mm

\* On request (please consult our Sales Office)

Dimension "L" can be different from the value indicated according to backshells accessories, wires size and some special insert configurations.



# KVBS - Bayonet Connector with protected mating ramps



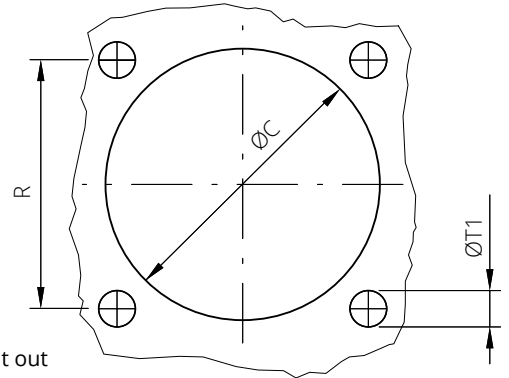
<input type="checkbox"/>	<b>Insulating material</b>	-	Thermoplastic resin	<input type="checkbox"/>	<b>24-10 Insert Arrangement</b>	Page 14															
<input checked="" type="checkbox"/>	<b>Series Code</b>	<b>KVBS</b>	Bayonet Connector with protected mating ramps	<input type="checkbox"/>	<b>S Contact Gender</b>	<b>S</b>	Socket contacts														
<input type="checkbox"/>	<b>Shell Material</b>	-	Aluminum	<input type="checkbox"/>	<b>P</b>	Pin contacts															
<input type="checkbox"/>	<b>Shell Type</b>	<b>030</b>	Rear mounting Receptacle	<input type="checkbox"/>	<b>X Polarization Code**</b>	Page 14															
<input checked="" type="checkbox"/>	<b>Connector Class</b>	<b>ST</b>	<table border="1"> <tr> <td><b>AST</b></td> <td>with waterproof O-ring (IP67***)</td> </tr> <tr> <td><b>ST</b></td> <td>with waterproof O-ring and grommet (IP67***)</td> </tr> <tr> <td><b>AST1</b></td> <td>with waterproof O-ring (IP67***)</td> </tr> <tr> <td><b>ST1</b></td> <td>with waterproof O-ring and grommet (IP67***)</td> </tr> <tr> <td><b>AST2</b></td> <td>with waterproof O-ring (IP67***)</td> </tr> <tr> <td><b>ST2</b></td> <td>with waterproof O-ring and grommet (IP67***)</td> </tr> <tr> <td><b>T</b></td> <td>With plastic caps</td> </tr> </table>	<b>AST</b>	with waterproof O-ring (IP67***)	<b>ST</b>	with waterproof O-ring and grommet (IP67***)	<b>AST1</b>	with waterproof O-ring (IP67***)	<b>ST1</b>	with waterproof O-ring and grommet (IP67***)	<b>AST2</b>	with waterproof O-ring (IP67***)	<b>ST2</b>	with waterproof O-ring and grommet (IP67***)	<b>T</b>	With plastic caps	<input checked="" type="checkbox"/>	<b>M20 Backshell internal thread</b>	<b>Mxx</b>	Provided with an internal Metric thread
<b>AST</b>	with waterproof O-ring (IP67***)																				
<b>ST</b>	with waterproof O-ring and grommet (IP67***)																				
<b>AST1</b>	with waterproof O-ring (IP67***)																				
<b>ST1</b>	with waterproof O-ring and grommet (IP67***)																				
<b>AST2</b>	with waterproof O-ring (IP67***)																				
<b>ST2</b>	with waterproof O-ring and grommet (IP67***)																				
<b>T</b>	With plastic caps																				
<input type="checkbox"/>	<b>Connector Modification**</b>	<b>T</b>	Receptacle connector with threaded holes	<input type="checkbox"/>	<b>LC Contact Termination</b>	<b>LC</b>	Less contacts														
		<b>FP</b>	Receptacle connector with through holes	<input type="checkbox"/>	<b>- Contact Plating</b>	-	Silver plating														
				<input checked="" type="checkbox"/>	<b>F7 Shell finish</b>	<b>F7</b>	Black epoxy varnish (*)														
				<input type="checkbox"/>	<b>G Panel Gasket</b>	<b>G</b>	With waterproof panel gasket														
				<input type="checkbox"/>	<b>N Modification Code**</b>	<b>N</b>	Consult our sales office														
						<b>S</b>	Without gasket														
						<b>G3</b>	With waterproof shielded panel gasket														
						<b>F16</b>	CCF - Black passivation (*) conductive														
						<b>F26</b>	hard anodization (*)														

\*\*\* Protection degree: IP 67 (only in the mating area with mated connectors) according to EN 60529 (\*) RoHS compliance (\*\*) If required  
**P/N Sample: KVBS 030STT 24-10SX M20 LC F7 G N**

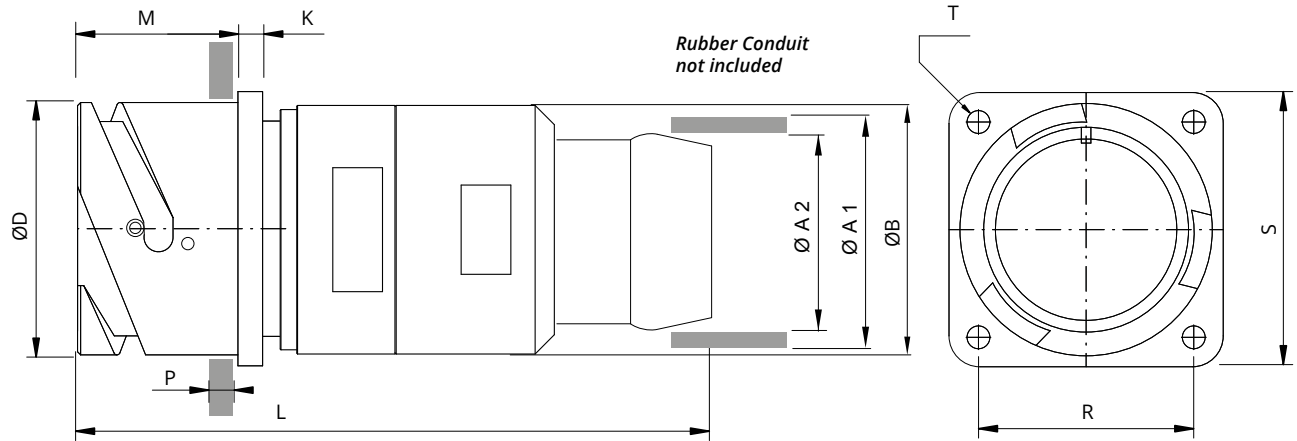
# KVBS - Bayonet Connector with protected mating ramps

## Rear Mounting Receptacle (030) with Backshell Class (AST..FS - ST..FS)

Connector with backshell with internal cable retention system (on request ST1/ST2 with clamps for cable diameter reduction) with a special adapter for UNI4883 rubber conduits



Panel cut out



Shell size	Backshell Conduit Size	ØA1	ØA2
24-28	FS3328	33	28
24-28	FS3833	38	33
36	FS4035	40	35
40	FS5040	50	40
36	FS5045	50	45
40	FS5550	55	50

Please consult our Sales Office for further details about this dimension and according to conduit size.

Shell size	ØD +0 -0.15	ØB ±0.2	L	M ±0.2	K ±0.2	R ±0.1	S ±0.3	ØT	ØT1	ØC ±0.2	P Panel Thickness Max	Cable Range		
												ST	ST1	ST2
18	30.8	30	110	23.4	4	27	34.9	M4	4.5	31.7	7.25	14-9	9-4	*
20	34.2	32	121	23.4	4	29.4	38.1	M4	4.5	35	7.3	19-14	14-9	*
22	37.4	38	122,2	23.4	4	31.8	41	M4	4.5	38.3	7.3	19-14	14-9	*
24	40.9	45	115	23.4	4	34.9	44.5	M4	4.5	41.8	6.85	23-18	18-13	*
28	46.7	48	115	24.4	4	39.7	50.8	M5	5.5	47.6	7.8	23-18	18-13	*
36	59.6	58	135	24.4	4	49.2	63.5	M5	5.5	60.5	7.5	33-25	25-18	*
40	65.5	65	135	24.4	4	55.6	69.8	M5	5.5	66.4	7.5	39-31	31-24	24-16

Dimensions in mm

\* On request (please consult our Sales Office)

Dimension "L" can be different from the value indicated according to backshells accessories, wires size and some special insert configurations.

# KVBS - Bayonet Connector with protected mating ramps



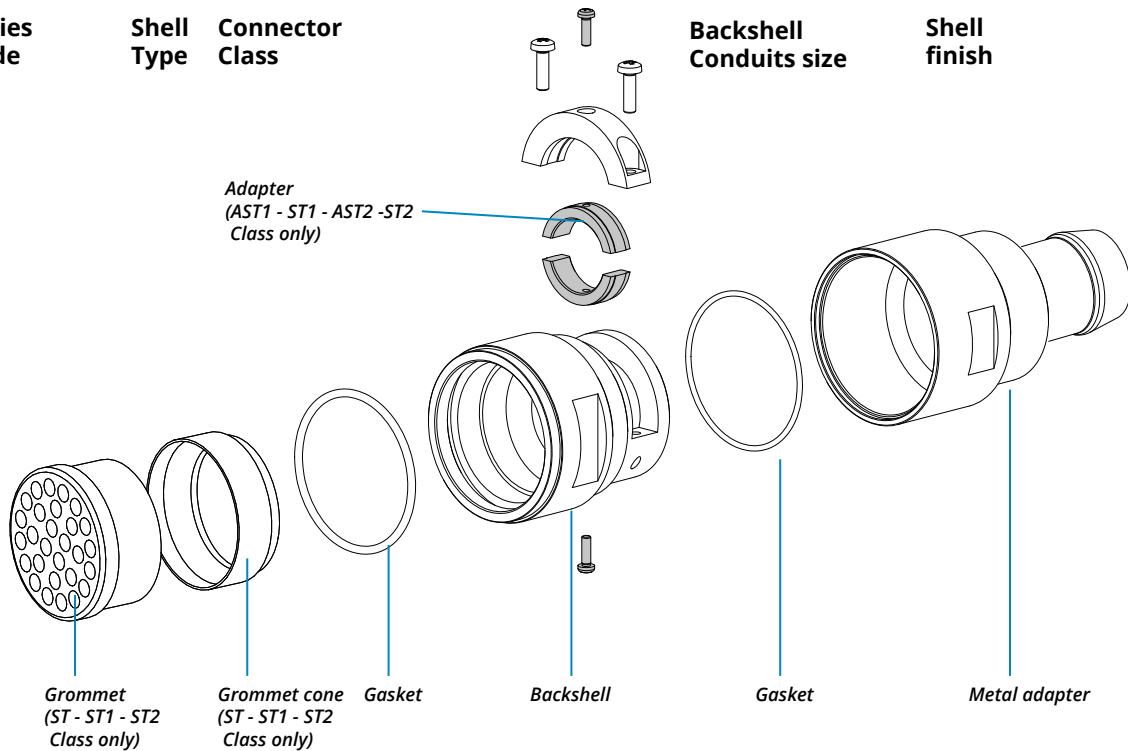
**Series Code**

**Shell Type**

**Connector Class**

**Backshell Conduits size**

**Shell finish**



<input type="checkbox"/>	<b>Insulating material</b>	-	Thermoplastic resin	<input type="checkbox"/>	<b>Contact Gender</b>	<input type="checkbox"/>	Socket contacts
<input checked="" type="checkbox"/>	<b>Series Code</b>	<b>KVBS</b>	Bayonet Connector with protected mating ramps	<input type="checkbox"/>	<b>Polarization Code**</b>	<input type="checkbox"/>	Page 14
<input type="checkbox"/>	<b>Shell Material</b>	-	Aluminum	<input checked="" type="checkbox"/>	<b>Backshell Conduits size</b>	<input checked="" type="checkbox"/>	FS Provided with a special adapter for UNI4883 rubber conduits
<input checked="" type="checkbox"/>	<b>Shell Type</b>	<b>030</b>	Rear mounting Receptacle	<input checked="" type="checkbox"/>	<b>Conduit Size</b>	<input checked="" type="checkbox"/>	xxxx ØA1ØA2
<input checked="" type="checkbox"/>	<b>Connector Class</b>	<b>AST</b>	with waterproof O-ring (IP67***)	<input type="checkbox"/>	<b>Contact Termination</b>	<input type="checkbox"/>	LC Less contacts
		<b>ST</b>	with waterproof O-ring and grommet (IP67***)	<input type="checkbox"/>	<b>Contact Plating</b>	<input type="checkbox"/>	- Silver plating
		<b>AST1</b>	with waterproof O-ring (IP67***)	<input type="checkbox"/>	<b>Shell finish</b>	<input checked="" type="checkbox"/>	<b>F7</b> Black epoxy varnish (*)
		<b>ST1</b>	with waterproof O-ring and grommet (IP67***)	<input type="checkbox"/>	<b>Panel Gasket</b>	<input type="checkbox"/>	<b>F16</b> CCF - Black passivation (*)
		<b>AST2</b>	with waterproof O-ring (IP67***)	<input type="checkbox"/>	<b>Modification Code**</b>	<input type="checkbox"/>	<b>F26</b> hard anodization (*)
		<b>ST2</b>	with waterproof O-ring and grommet (IP67***)	<input type="checkbox"/>	<b>Insulating material</b>	<input type="checkbox"/>	- Without gasket
<input type="checkbox"/>	<b>Connector Modification**</b>	-	Receptacle connector with threaded holes	<input checked="" type="checkbox"/>	<b>Panel Gasket</b>	<input type="checkbox"/>	<b>G</b> With waterproof panel gasket
<input type="checkbox"/>	<b>Connector Modification**</b>	<b>FP</b>	Receptacle connector with through holes	<input type="checkbox"/>	<b>Modification Code**</b>	<input type="checkbox"/>	<b>G3</b> With waterproof shielded panel gasket
<input checked="" type="checkbox"/>	<b>Insert Arrangement</b>	<b>24-10</b>	Page 14	<input type="checkbox"/>	<b>Modification Code**</b>	<input type="checkbox"/>	<b>N</b> Consult our sales office
<input type="checkbox"/>	<b>Modification Code**</b>	<b>N</b>	Consult our sales office	<input type="checkbox"/>	<b>Modification Code**</b>	<input type="checkbox"/>	<b>S</b>

\*\*\* Protection degree: IP 67 (only in the mating area with mated connectors) according to EN 60529 (\*) RoHS compliance (\*\*) If required  
**P/N Sample: KVBS 030STT 24-10SX FS2015 LC F7 G N**

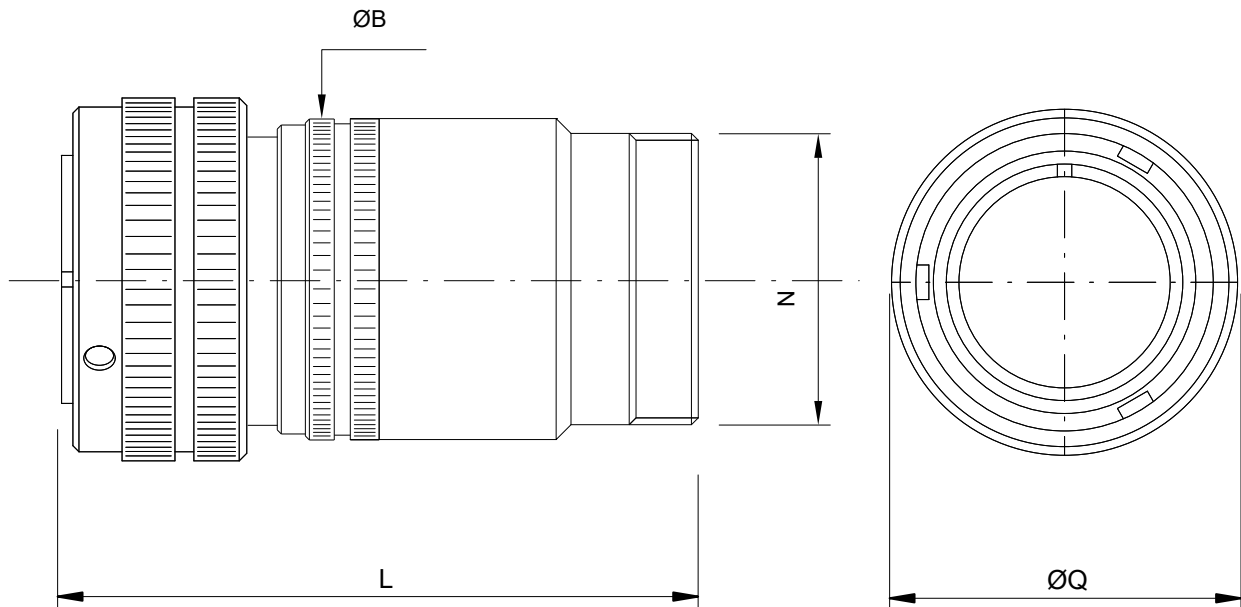
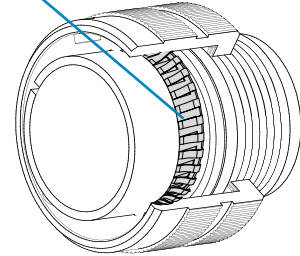
## KVBS - Bayonet Connector with protected mating ramps

### Plug Connector (06/96) with Backshell Class (A - DA - RA)

Connector with backshell provided with an external thread suitable for MS3057...A or C type cable-clamps (to be ordered separately).



Grounding finger  
for Shell 96



Shell size	ØQ ±0.2	ØB ±0.2	L max	N Backshell Thread in inches
18	37	30	100	1"-20 UNEF
20	41	32	100	1" 3/16-18 UNEF
22	43	37	100	1" 3/16-18 UNEF
24	48	40	105	1" 7/16-18 UNEF
28	53	45	105	1" 7/16-18 UNEF
36	66.2	58	125	2"-18 UNS
40	72.4	63.8	125	2"1/4-16 UN

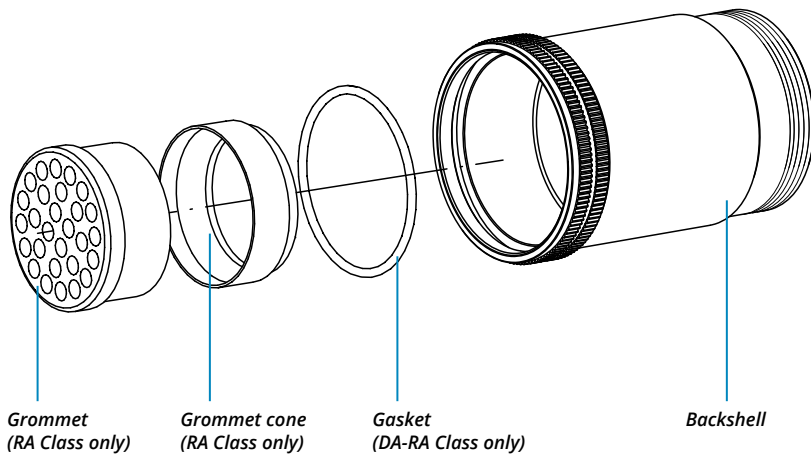
Dimensions in mm

Dimension "L" can be different from the value indicated according to backshells accessories, wires size and some special insert configurations.

# KVBS - Bayonet Connector with protected mating ramps



Series Code: KVBS    Shell Material Type: 06    Connector Class: DA    T    24-10    S    X    LC    -    Shell finish: F7    N



<input type="checkbox"/>	<b>Insulating material</b>	-	Thermoplastic resin
<input checked="" type="checkbox"/>	<b>Series Code</b>	KVBS	Bayonet Connector with protected mating ramps
<input type="checkbox"/>	<b>Shell Material</b>	-	Aluminum
<input checked="" type="checkbox"/>	<b>Shell Type</b>	06	Plug Connector without grounding finger
		96	Plug Connector with grounding finger
<input checked="" type="checkbox"/>	<b>Connector Class</b>	A	non watertight
		DA	with waterproof O-ring (IP67***)
		RA	with waterproof O-ring and grommet (IP67***)
<input type="checkbox"/>	<b>Connector Modification**</b>	T	With plastic caps

<input checked="" type="checkbox"/>	<b>Insert Arrangement</b>		Page 14
<input type="checkbox"/>	<b>Contact Gender</b>	S	Socket contacts
		P	Pin contacts
<input type="checkbox"/>	<b>Polarization Code**</b>	X	Page 14
<input type="checkbox"/>	<b>Contact Termination</b>	LC	Less contacts
<input type="checkbox"/>	<b>Contact Plating</b>	-	Silver plating
		CD5	Gold plating
<input checked="" type="checkbox"/>	<b>Shell finish</b>	F7	Black epoxy varnish (*)
		F16	CCF - Black passivation (*) - conductive
		F26	hard anodization (*)
<input type="checkbox"/>	<b>Modification Code**</b>	N	Consult our sales office
		S	

\*\*\* Protection degree: IP 67 (only in the mating area with mated connectors) according to EN 60529    (\*) RoHS compliance    (\*\*) If required

P/N Sample: KVBS 06DAT 24-10SX LC F7 N

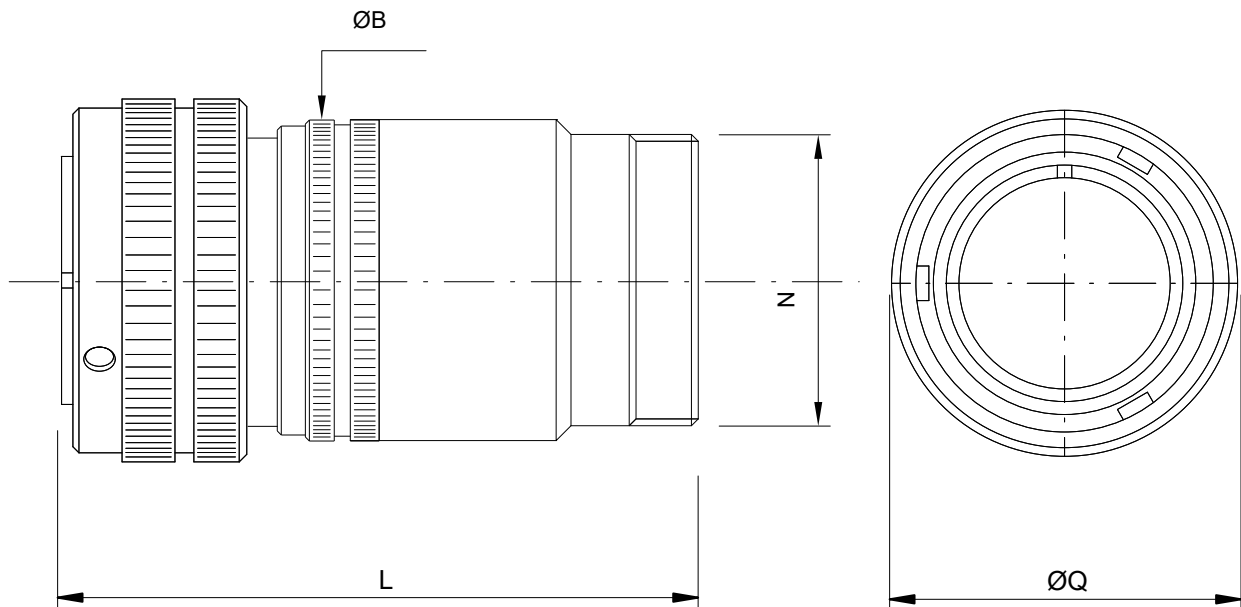
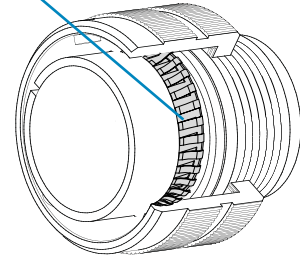
## KVBS - Bayonet Connector with protected mating ramps

### Plug Connector (06/96) with Backshell Class (SA - SDA - SRA)

Connector with short backshell provided with an external thread suitable for MS3057...A or C type cable-clamps (to be ordered separately).



Grounding finger  
for Shell 96



Shell size	ØQ ±0.2	ØB ±0.2	L max	N Backshell Thread in inches
18	37	30	*	1"-20 UNEF
20	41	32	*	1" 3/16-18 UNEF
22	43	37	*	1" 3/16-18 UNEF
24	48	40	*	1" 7/16-18 UNEF
28	53	45	*	1" 7/16-18 UNEF
36	66.2	58	*	2"-18 UNS
40	72.4	63.8	*	2"1/4-16 UN

Dimensions in mm

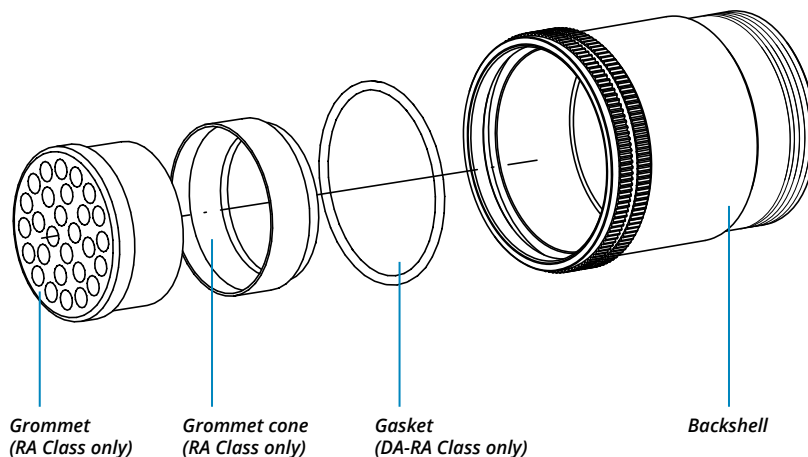
\* On request (please consult our Sales Office)

Dimension "L" can be different from the value indicated according to backshells accessories, wires size and some special insert configurations.

# KVBS - Bayonet Connector with protected mating ramps



Series Code: KVBS    Shell Material Type: 06    Connector Class: SDA    T    24-10    S    X    LC    -    Shell finish: F7    N



<input type="checkbox"/>	<b>Insulating material</b>	-	Thermoplastic resin
<input checked="" type="checkbox"/>	<b>Series Code</b>	<b>KVBS</b>	Bayonet Connector with protected mating ramps
<input type="checkbox"/>	<b>Shell Material</b>	-	Aluminum
<input checked="" type="checkbox"/>	<b>Shell Type</b>	<b>06</b>	Plug Connector without grounding finger
		<b>96</b>	Plug Connector with grounding finger
<input checked="" type="checkbox"/>	<b>Connector Class</b>	<b>SA</b>	non watertight
		<b>SDA</b>	with waterproof O-ring (IP67***)
		<b>SRA</b>	with waterproof O-ring and grommet (IP67***)
<input type="checkbox"/>	<b>Connector Modification**</b>	<b>T</b>	With plastic caps

<input checked="" type="checkbox"/>	<b>Insert Arrangement</b>	Page 14	
<input type="checkbox"/>	<b>Contact Gender</b>	<b>S</b>	Socket contacts
		<b>P</b>	Pin contacts
<input type="checkbox"/>	<b>Polarization Code**</b>	Page 14	
<input type="checkbox"/>	<b>Contact Termination</b>	<b>LC</b>	Less contacts
<input type="checkbox"/>	<b>Contact Plating</b>	-	Silver plating
		<b>CD5</b>	Gold plating
<input checked="" type="checkbox"/>	<b>Shell finish</b>	<b>F7</b>	Black epoxy varnish (*)
		<b>F16</b>	CCF - Black passivation (*) - conductive
		<b>F26</b>	hard anodization (*)
<input type="checkbox"/>	<b>Modification Code**</b>	<b>N</b>	Consult our sales office
		<b>S</b>	

\*\*\* Protection degree: IP 67 (only in the mating area with mated connectors) according to EN 60529    (\*) RoHS compliance    (\*\*) If required

P/N Sample: KVBS 06SDAT 24-10SX LC F7 N

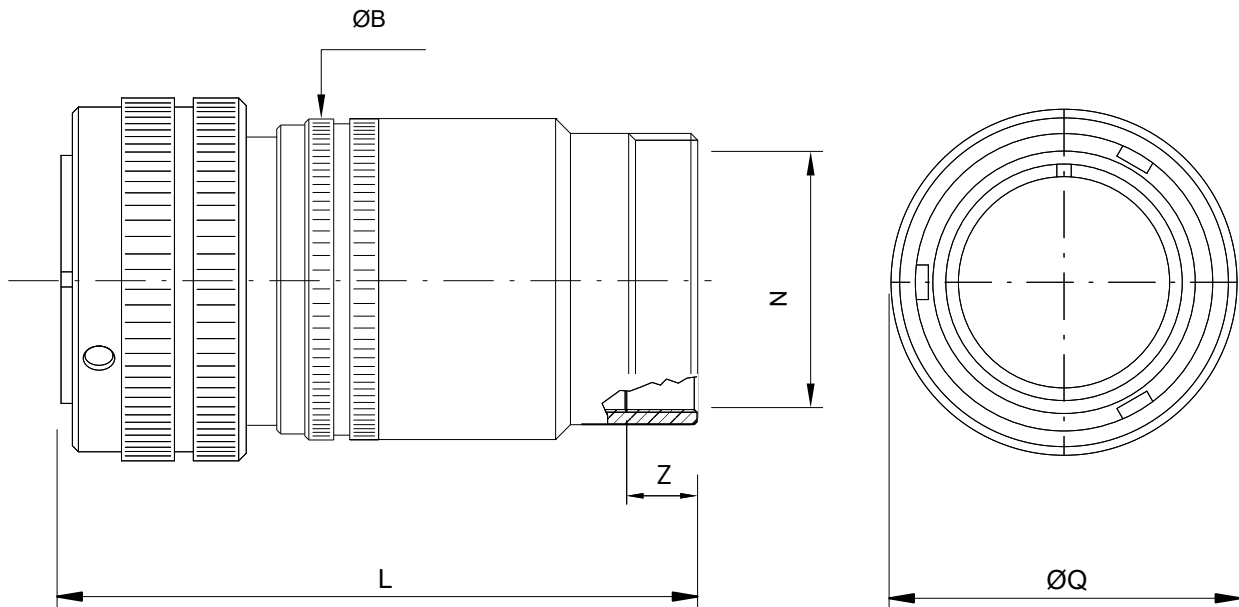
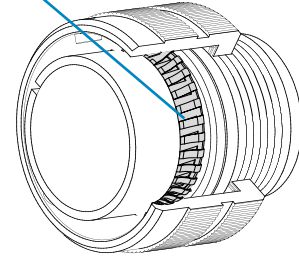
# KVBS - Bayonet Connector with protected mating ramps

## Plug Connector (06/96) with Backshell Class (DA..M - RA..M)

Connector with backshell provided with an internal Metric thread suitable for cable glands or conduit adapters.



Grounding finger  
for Shell 96



Shell size	ØQ ±0.2	L max	ØB ±0.2	N Backshell Thread	Z min
18	37	100	30	M20	15
20	41	100	32	M25	15
22	43	100	37	M25	15
24	48	105	40	M32	15
28	53	105	45	M32 - M40	15
36	66.2	125	58	M40	15
40	72.4	125	63.8	M50	15

Dimensions in mm

Dimension "L" can be different from the value indicated according to backshells accessories, wires size and some special insert configurations.



# KVBS - Bayonet Connector with protected mating ramps



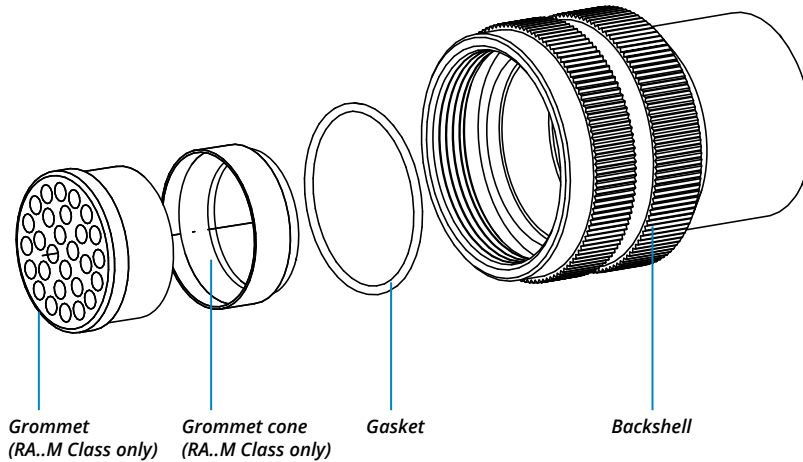
Series Code

Shell Type

Connector Class

Backshell internal thread

Shell finish



<input type="checkbox"/>	<b>Insulating material</b>	-	Thermoplastic resin
<b>KVBS</b>	<b>Series Code</b>	<b>KVBS</b>	Bayonet Connector with protected mating ramps
<input type="checkbox"/>	<b>Shell Material</b>	-	Aluminum
<b>06</b>	<b>Shell Type</b>	<b>06</b>	Plug Connector without grounding finger
		<b>96</b>	Plug Connector with grounding finger
<b>DA</b>	<b>Connector Class</b>	<b>DA</b>	with waterproof O-ring (IP67***)
		<b>RA</b>	with waterproof O-ring and grommet (IP67***)
<b>T</b>	<b>Connector Modification**</b>	<b>T</b>	With plastic caps
<b>24-10</b>	<b>Insert Arrangement</b>		Page 14

<b>S</b>	<b>Contact Gender</b>	<b>S</b>	Socket contacts
		<b>P</b>	Pin contacts
<b>X</b>	<b>Polarization Code**</b>		Page 14
<b>M20</b>	<b>Backshell internal thread</b>	<b>Mxx</b>	Provided with an internal Metric thread
<b>LC</b>	<b>Contact Termination</b>	<b>LC</b>	Less contacts
-	<b>Contact Plating</b>	-	Silver plating
		<b>CD5</b>	Gold plating
<b>F7</b>	<b>Shell finish</b>	<b>F7</b>	Black epoxy varnish (*)
		<b>F16</b>	CCF - Black passivation (*) - conductive
		<b>F26</b>	hard anodization (*)
<b>N</b>	<b>Modification Code**</b>	<b>N</b>	Consult our sales office
		<b>S</b>	

\*\*\* Protection degree: IP 67 (only in the mating area with mated connectors) according to EN 60529 (\*) RoHS compliance (\*\*\*) If required

P/N Sample: KVBS 06DAT 24-10SX M20 LC F7 N

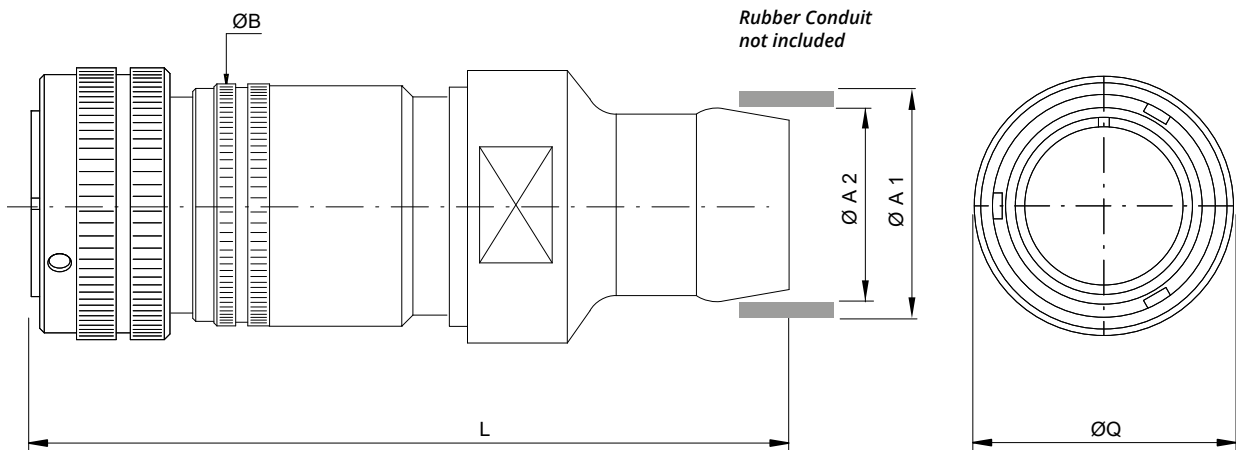
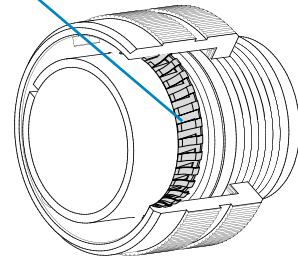
# KVBS - Bayonet Connector with protected mating ramps

## Plug Connector (06/96) with Backshell Class (DA..FS - RA..FS)

Connector with special adapter for UNI4883 rubber conduits.  
 Conduit's size must be specified adding the diameter dimensions in the P/N (i.e.: KVBS 06DA...FS5040...).



Grounding finger  
for Shell 96



Please consult our Sales Office for further details about this dimension and according to conduit size.

Shell size	ØQ ±0.2	L max	ØB max
18	37	*	30
20	41	*	32
22	43	*	37
24	48	*	40
28	53	*	45
36	66.2	*	58
40	72.4	*	63.8

Shell size	Backshell Conduit Size	ØA1	ØA2
16-18-20	FS2015	20	15
20-22-24-28	FS2520	25	20
18-20-22-24	FS2722	27	22
20-22-24-28	FS3328	33	28
24-28	FS3530	35	30
28-36	FS4035	40	35
28-40	FS4540	45	40
40	FS5040	50	40
36-40	FS5045	50	45
40	FS5550	55	50
40	FS5945	59	45

\* On request (please consult our Sales Office)

Dimensions in mm

Dimension "L" can be different from the value indicated according to backshells accessories, wires size and some special insert configurations.

# KVBS - Bayonet Connector with protected mating ramps



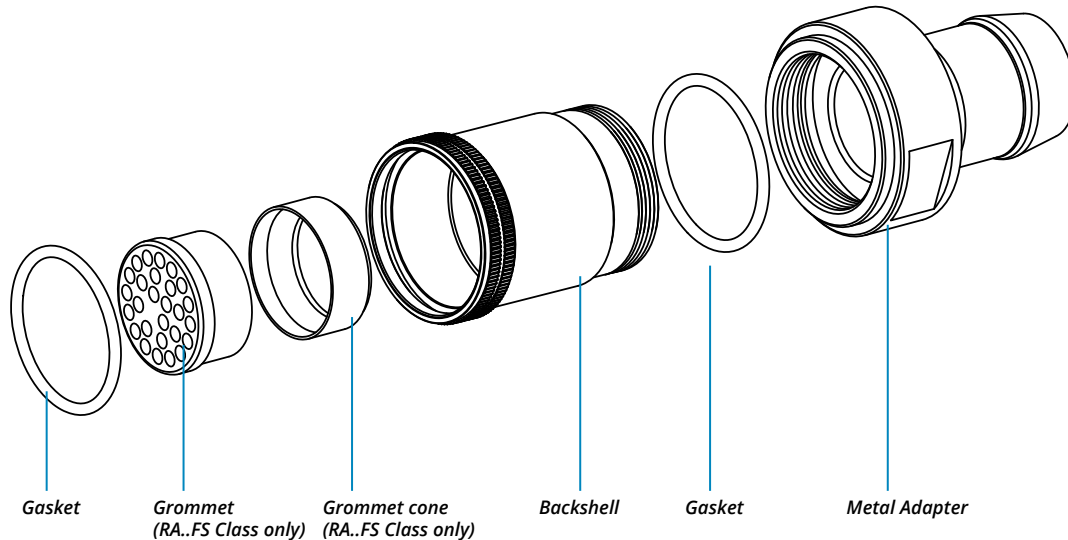
**Series Code**

**Shell Type**

**Connector Class**

**Backshell Conduits size**

**Shell finish**



The accessories for this class are not always available in stock for all sizes; we suggest you consult our Sales Office for availability

<input type="checkbox"/>	<b>Insulating material</b>	-	Thermoplastic resin	<input type="checkbox"/>	<b>Contact Gender</b>	<b>S</b>	Socket contacts
<input type="checkbox"/>	<b>Series Code</b>	<b>KVBS</b>	Bayonet Connector with protected mating ramps	<input type="checkbox"/>	<b>Polarization Code**</b>	<b>X</b>	Page 14
<input type="checkbox"/>	<b>Shell Material</b>	-	Aluminum	<input type="checkbox"/>	<b>Backshell Conduits size</b>	<b>FS</b>	Provided with a special adapter for UNI4883 rubber conduits
<input type="checkbox"/>	<b>Shell Type</b>	<b>06</b>	Plug Connector without grounding finger	<input type="checkbox"/>	<b>Conduit Size</b>	<b>3328</b>	<b>xxxx</b> ØA1ØA2
<input type="checkbox"/>		<b>96</b>	Plug Connector with grounding finger	<input type="checkbox"/>	<b>Contact Termination</b>	<b>LC</b>	Less contacts
<input type="checkbox"/>	<b>Connector Class</b>	<b>DA</b>	with waterproof O-ring (IP67***)	<input type="checkbox"/>	<b>Contact Plating</b>	-	Silver plating
<input type="checkbox"/>		<b>RA</b>	with waterproof O-ring and grommet (IP67***)	<input type="checkbox"/>		<b>CD5</b>	Gold plating
<input type="checkbox"/>	<b>Connector Modification**</b>	<b>T</b>	With plastic caps	<input type="checkbox"/>	<b>Shell finish</b>	<b>F7</b>	Black epoxy varnish (*)
<input type="checkbox"/>	<b>Insert Arrangement</b>	<b>24-10</b>	Page 14	<input type="checkbox"/>		<b>F16</b>	CCF - Black passivation (*) conductive
<input type="checkbox"/>				<input type="checkbox"/>		<b>F26</b>	hard anodization (*)
<input type="checkbox"/>				<input type="checkbox"/>	<b>Modification Code**</b>	<b>N</b>	Consult our sales office
<input type="checkbox"/>				<input type="checkbox"/>		<b>S</b>	

\*\*\* Protection degree: IP 67 (only in the mating area with mated connectors) according to EN 60529 (\*) RoHS compliance (\*\*) If required

P/N Sample: KVBS 06DAT 24-10SX FS3328 LC F7 N

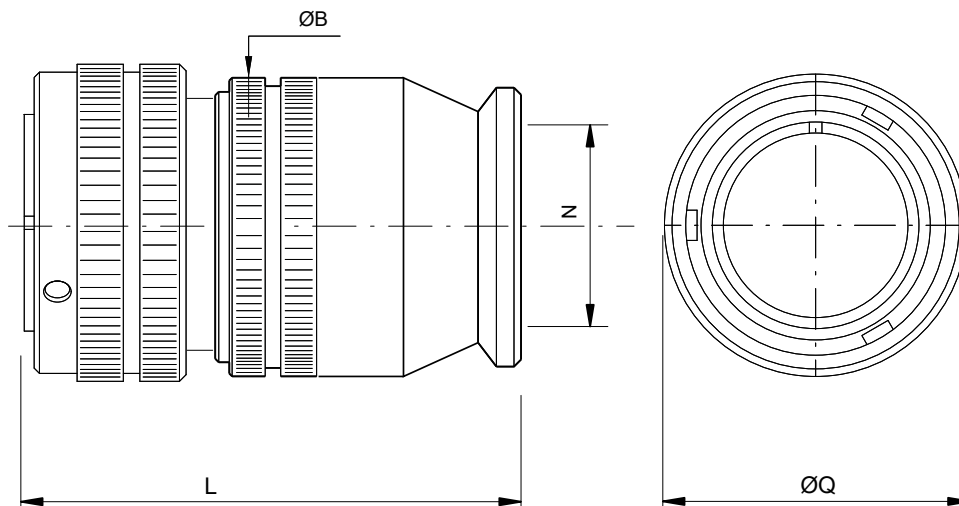
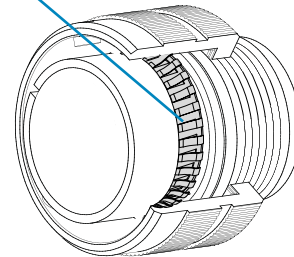
## KVBS - Bayonet Connector with protected mating ramps

### Plug Connector (06/96) with Backshell Class (R)

This class is suitable to connect single wires when strain relief is not necessary and small longitudinal overall dimensions are needed. As watertightness is guaranteed by the grommet only, it is necessary to make sure the wire diameter matches the grommet sealing range.



Grounding finger  
for Shell 96



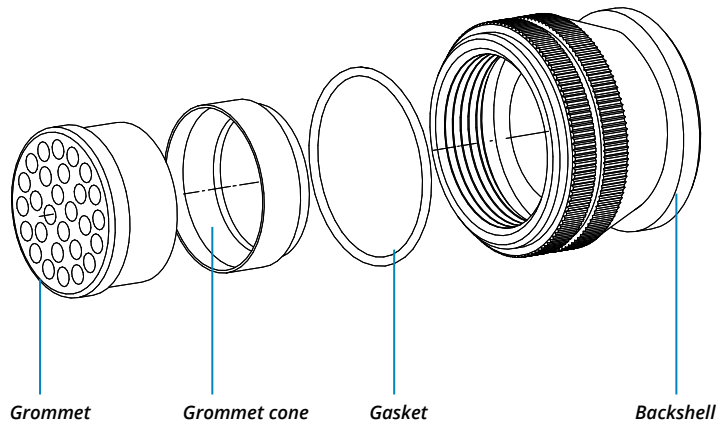
Shell size	ØQ ±0.2	ØB ±0.2	L max	N max cable dimension
18	37	30	70	19
20	41	32	70	22.2
22	43	37	73	24.5
24	48	40	73	28
28	53	45	74	32.6
36	66.2	58	75	45
40	72.4	63.8	75	51.3

Dimensions in mm

Dimension "L" can be different from the value indicated according to backshells accessories, wires size and some special insert configurations.

# KVBS - Bayonet Connector with protected mating ramps

	<b>KVBS</b>		<b>06</b>	<b>R</b>	<b>T</b>	<b>24-10</b>	<b>S</b>	<b>X</b>	<b>LC</b>	<b>-</b>	<b>F7</b>		<b>N</b>
	<b>Series Code</b>		<b>Shell Type</b>	<b>Connector Class</b>							<b>Shell finish</b>		



The accessories for this class are not always available in stock for all sizes; we suggest you consult our Sales Office for availability

	<b>Insulating material</b>	-	Thermoplastic resin	<b>S</b>	<b>Contact Gender</b>	<b>S</b>	Socket contacts
						<b>P</b>	Pin contacts
<b>KVBS</b>	<b>Series Code</b>	<b>KVBS</b>	Bayonet Connector with protected mating ramps	<b>X</b>	<b>Polarization Code**</b>		Page 14
	<b>Shell Material</b>	-	Aluminum	<b>LC</b>	<b>Contact Termination</b>	<b>LC</b>	Less contacts
<b>06</b>	<b>Shell Type</b>	<b>06</b>	Plug Connector without grounding finger	<b>-</b>	<b>Contact Plating</b>	<b>-</b>	Silver plating
		<b>96</b>	Plug Connector with grounding finger			<b>CD5</b>	Gold plating
<b>R</b>	<b>Connector Class</b>	<b>R</b>	With O-ring and grommet	<b>F7</b>	<b>Shell finish</b>	<b>F7</b>	Black epoxy varnish (*)
						<b>F16</b>	CCF - Black passivation (*) - conductive
						<b>F26</b>	hard anodization (*)
<b>T</b>	<b>Connector Modification**</b>	<b>T</b>	With plastic caps	<b>N</b>	<b>Modification Code**</b>	<b>N</b>	Consult our sales office
						<b>S</b>	
<b>24-10</b>	<b>Insert Arrangement</b>		Page 14				

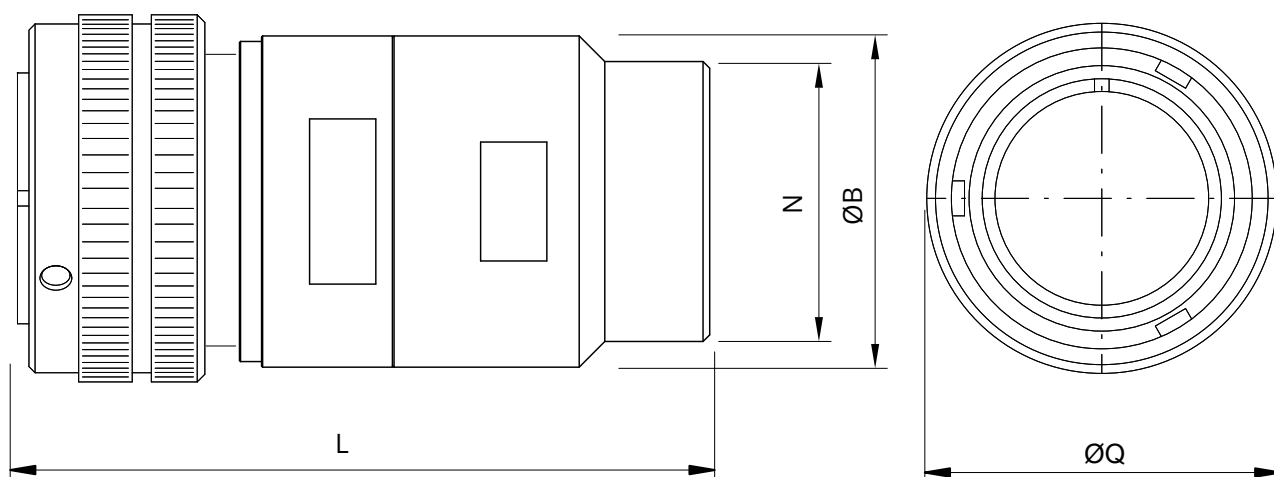
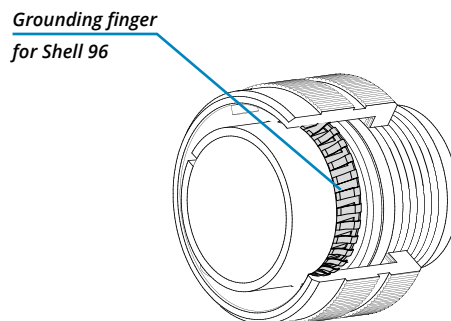
P/N Sample: KVBS 06RT 24-10SX LC F7 N

(\*) RoHS compliance (\*\*) If required

# KVBS - Bayonet Connector with protected mating ramps

## Plug Connector (06/96) with Backshell Class (AST - ST)

Connector with backshell with internal cable retention system (on request ST1/ST2 with clamps for cable diameter reduction) with an external unef thread



Shell size	ØQ	ØB ±0.2	L	N Backshell Thread in inches	Cable Range		
					ST	ST1	ST2
18	37	30	110	1"-20 UNEF	14-9	9-4	*
20	41	32	121	1" 3/16-18 UNEF	19-14	14-9	*
22	43	38	122,2	1" 3/16-18 UNEF	19-14	14-9	*
24	48	45	115	1" 7/16-18 UNEF	23-18	18-13	*
28	53	48	115	1" 7/16-18 UNEF	23-18	18-13	*
36	66.2	58	135	2"-18 UNS	33-25	25-18	*
40	72.4	65	135	2"1/4-16 UN	39-31	31-24	24-16

Dimensions in mm

\* On request (please consult our Sales Office)

Dimension "L" can be different from the value indicated according to backshells accessories, wires size and some special insert configurations.

# KVBS - Bayonet Connector with protected mating ramps

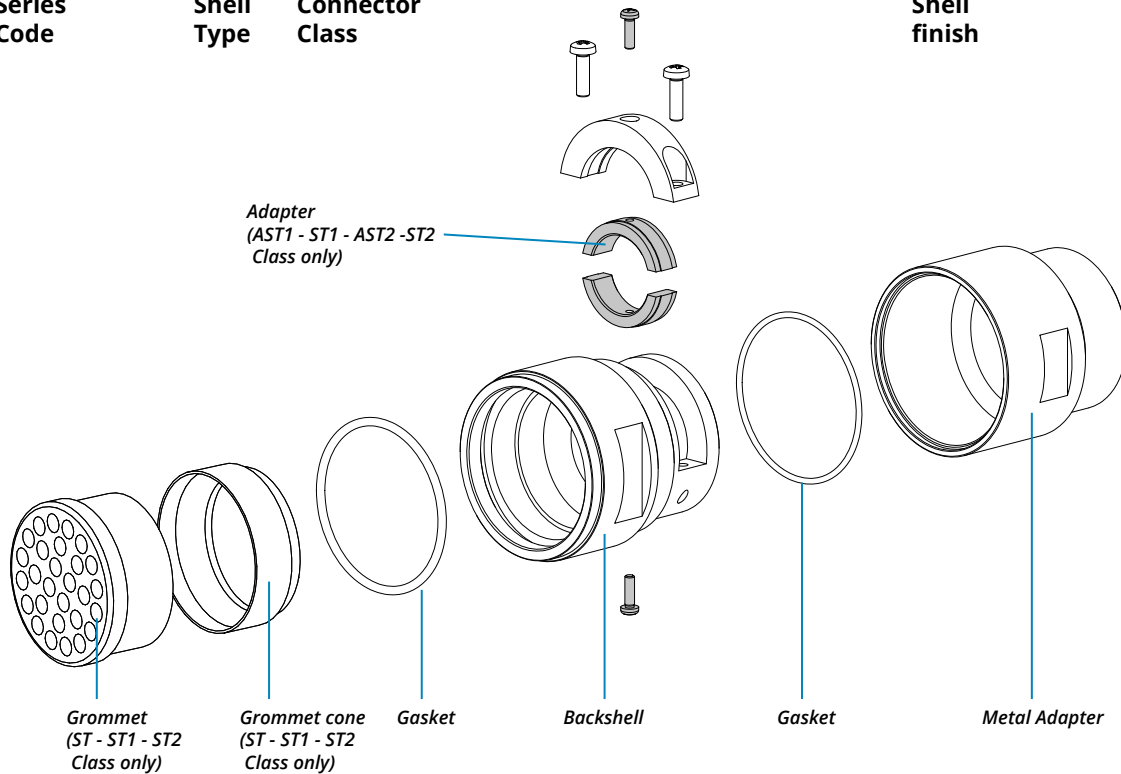


**Series Code**

**Shell Type**

**Connector Class**

**Shell finish**



<input type="checkbox"/>	<b>Insulating material</b>	-	Thermoplastic resin	<b>24-10</b>	<b>Insert Arrangement</b>		Page 14
<b>KVBS</b>	<b>Series Code</b>	<b>KVBS</b>	Bayonet Connector with protected mating ramps	<b>S</b>	<b>Contact Gender</b>	<b>S</b>	Socket contacts
<input type="checkbox"/>	<b>Shell Material</b>	-	Aluminum	<b>P</b>		<b>P</b>	Pin contacts
<input type="checkbox"/>	<b>Shell Type</b>	<b>06</b>	Plug Connector without grounding finger	<b>X</b>	<b>Polarization Code**</b>		Page 14
<input type="checkbox"/>		<b>96</b>	Plug Connector with grounding finger	<b>LC</b>	<b>Contact Termination</b>	<b>LC</b>	Less contacts
<input type="checkbox"/>		<b>AST</b>	with waterproof O-ring (IP67***)	<b>-</b>	<b>Contact Plating</b>	<b>-</b>	Silver plating
<input type="checkbox"/>		<b>ST</b>	with waterproof O-ring and grommet (IP67***)	<b>CD5</b>		<b>CD5</b>	Gold plating
<input type="checkbox"/>		<b>AST1</b>	with waterproof O-ring (IP67***)	<b>F7</b>	<b>Shell finish</b>	<b>F7</b>	Black epoxy varnish (*)
<input type="checkbox"/>		<b>ST1</b>	with waterproof O-ring and grommet (IP67***)	<b>F16</b>		<b>F16</b>	CCF - Black passivation (*) conductive
<input type="checkbox"/>		<b>AST2</b>	with waterproof O-ring (IP67***)	<b>F26</b>		<b>F26</b>	hard anodization (*)
<input type="checkbox"/>		<b>ST2</b>	with waterproof O-ring and grommet (IP67***)	<b>N</b>	<b>Modification Code**</b>	<b>N</b>	Consult our sales office
<input type="checkbox"/>				<b>S</b>		<b>S</b>	
<input type="checkbox"/>	<b>Connector Modification**</b>	<b>T</b>	With plastic caps				

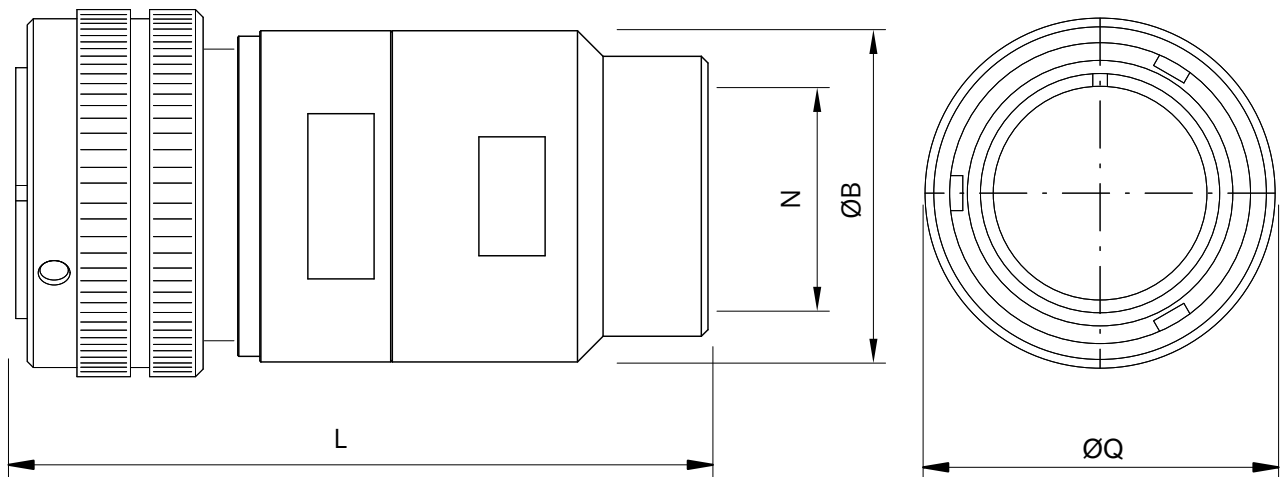
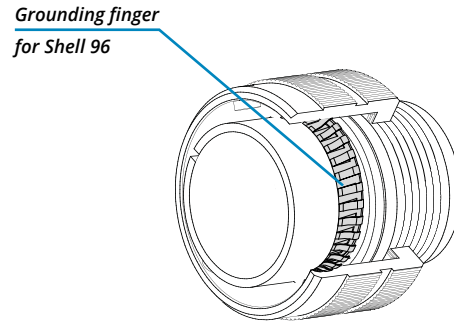
\*\*\* Protection degree: IP 67 (only in the mating area with mated connectors) according to EN 60529 (\*) RoHS compliance (\*\*) If required

**P/N Sample: KVBS 06STT 24-10SX LC F7 N**

# KVBS - Bayonet Connector with protected mating ramps

## Plug Connector (06/96) with Backshell Class (AST..M - ST..M)

Connector with backshell with internal cable retention system (on request ST1/ST2 with clamps for cable diameter reduction) with an internal Metric thread



Shell size	ØQ	ØB ±0.2	L	N Backshell Thread Metric	Cable Range		
					ST	ST1	ST2
18	37	30	110	M16 - M20	14-9	9-4	*
20	41	32	121	M20	19-14	14-9	*
22	43	38	122,2	M25	19-14	14-9	*
24	48	45	115	M25	23-18	18-13	*
28	53	48	115	M32	23-18	18-13	*
36	66.2	58	135	M32 - M40	33-25	25-18	*
40	72.4	65	135	M40 - M50	39-31	31-24	24-16

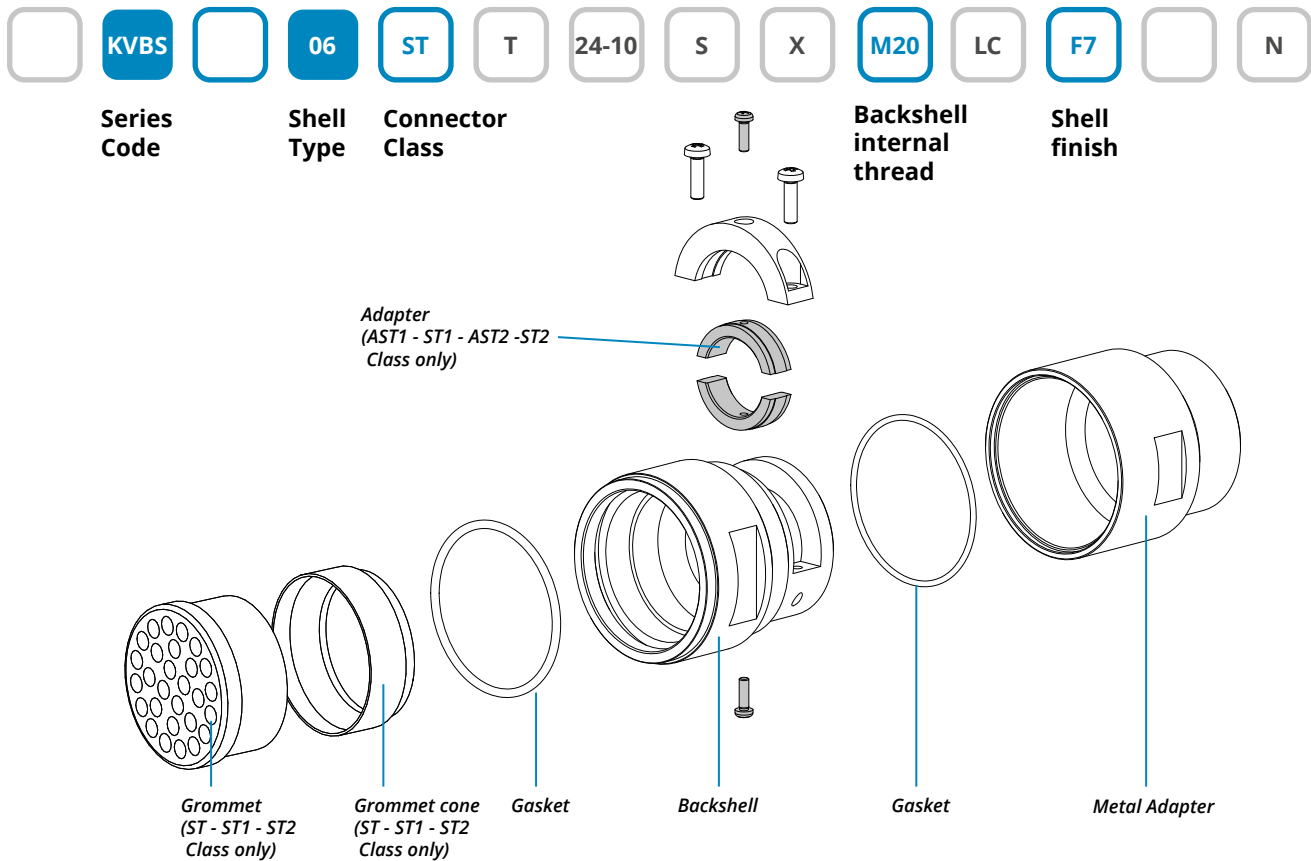
Dimensions in mm

\* On request (please consult our Sales Office)

Dimension "L" can be different from the value indicated according to backshells accessories, wires size and some special insert configurations.



# KVBS - Bayonet Connector with protected mating ramps



<input type="checkbox"/>	<b>Insulating material</b>	-	Thermoplastic resin	<b>24-10</b>	<b>Insert Arrangement</b>		Page 14
<input checked="" type="checkbox"/>	<b>Series Code</b>	<b>KVBS</b>	Bayonet Connector with protected mating ramps	<b>S</b>	<b>Contact Gender</b>	<b>S</b>	Socket contacts
<input type="checkbox"/>	<b>Shell Material</b>	-	Aluminum	<b>P</b>		<b>P</b>	Pin contacts
<input checked="" type="checkbox"/>	<b>Shell Type</b>	<b>06</b>	Plug Connector without grounding finger	<b>X</b>	<b>Polarization Code**</b>		Page 14
		<b>96</b>	Plug Connector with grounding finger	<input checked="" type="checkbox"/>	<b>Backshell internal thread</b>	<b>Mxx</b>	Provided with an internal Metric thread
		<b>AST</b>	with waterproof O-ring (IP67***)	<b>LC</b>	<b>Contact Termination</b>	<b>LC</b>	Less contacts
		<b>ST</b>	with waterproof O-ring and grommet (IP67***)	<b>-</b>	<b>Contact Plating</b>	<b>-</b>	Silver plating
<input checked="" type="checkbox"/>	<b>Connector Class</b>	<b>AST1</b>	with waterproof O-ring (IP67***)			<b>CD5</b>	Gold plating
		<b>ST1</b>	with waterproof O-ring and grommet (IP67***)	<input checked="" type="checkbox"/>	<b>Shell finish</b>	<b>F7</b>	Black epoxy varnish (*)
		<b>AST2</b>	with waterproof O-ring (IP67***)			<b>F16</b>	CCF - Black passivation (*) conductive
		<b>ST2</b>	with waterproof O-ring and grommet (IP67***)			<b>F26</b>	hard anodization (*)
<input type="checkbox"/>	<b>Connector Modification**</b>	<b>T</b>	With plastic caps	<input type="checkbox"/>	<b>Modification Code**</b>	<b>N</b>	Consult our sales office
						<b>S</b>	

\*\*\* Protection degree: IP 67 (only in the mating area with mated connectors) according to EN 60529 (\*) RoHS compliance (\*\*) If required

P/N Sample: KVBS 06STT 24-10SX M20 LC F7 N

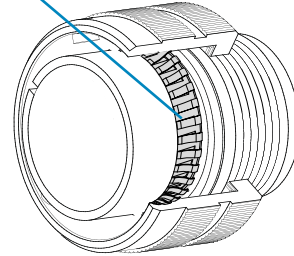
# KVBS - Bayonet Connector with protected mating ramps

## Plug Connector (06/96) with Backshell Class (AST..FS - ST..FS)

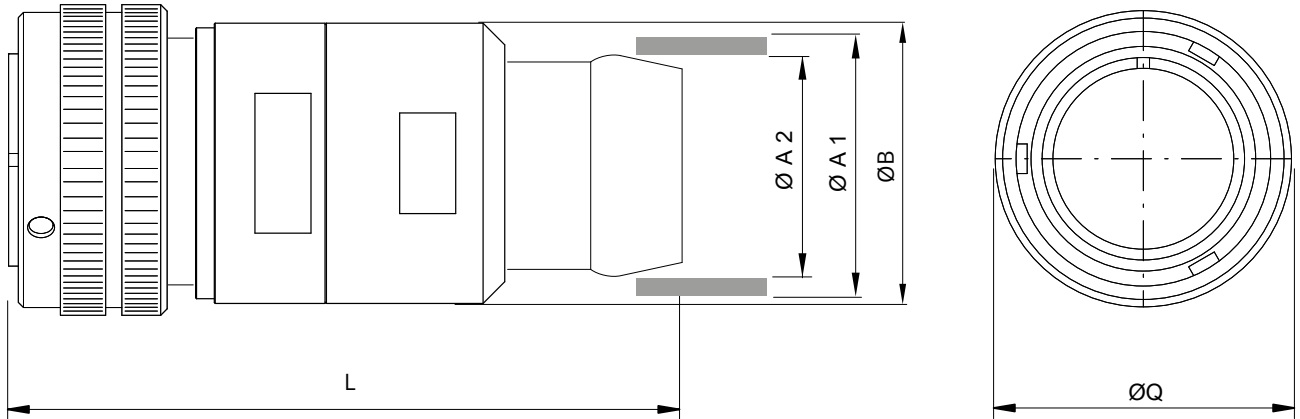
Connector with backshell with internal cable retention system (on request ST1/ST2 with clamps for cable diameter reduction) with a special adapter for UNI4883 rubber conduits



Grounding finger for Shell 96



Rubber Conduit not included



Shell size	Backshell Conduit Size	ØA1	ØA2
24-28	FS3328	33	28
24-28	FS3833	38	33
36	FS4035	40	35
40	FS5040	50	40
36	FS5045	50	45
40	FS5550	55	50

Please consult our Sales Office for further details about this dimension and according to conduit size.

Shell size	ØQ	ØB ±0.2	L	Cable Range		
				ST	ST1	ST2
18	37	30	110	14-9	9-4	*
20	41	32	121	19-14	14-9	*
22	43	38	122,2	19-14	14-9	*
24	48	45	115	23-18	18-13	*
28	53	48	115	23-18	18-13	*
36	66.2	58	135	33-25	25-18	*
40	72.4	65	135	39-31	31-24	24-16

Dimensions in mm

\* On request (please consult our Sales Office)

Dimension "L" can be different from the value indicated according to backshells accessories, wires size and some special insert configurations.

# KVBS - Bayonet Connector with protected mating ramps



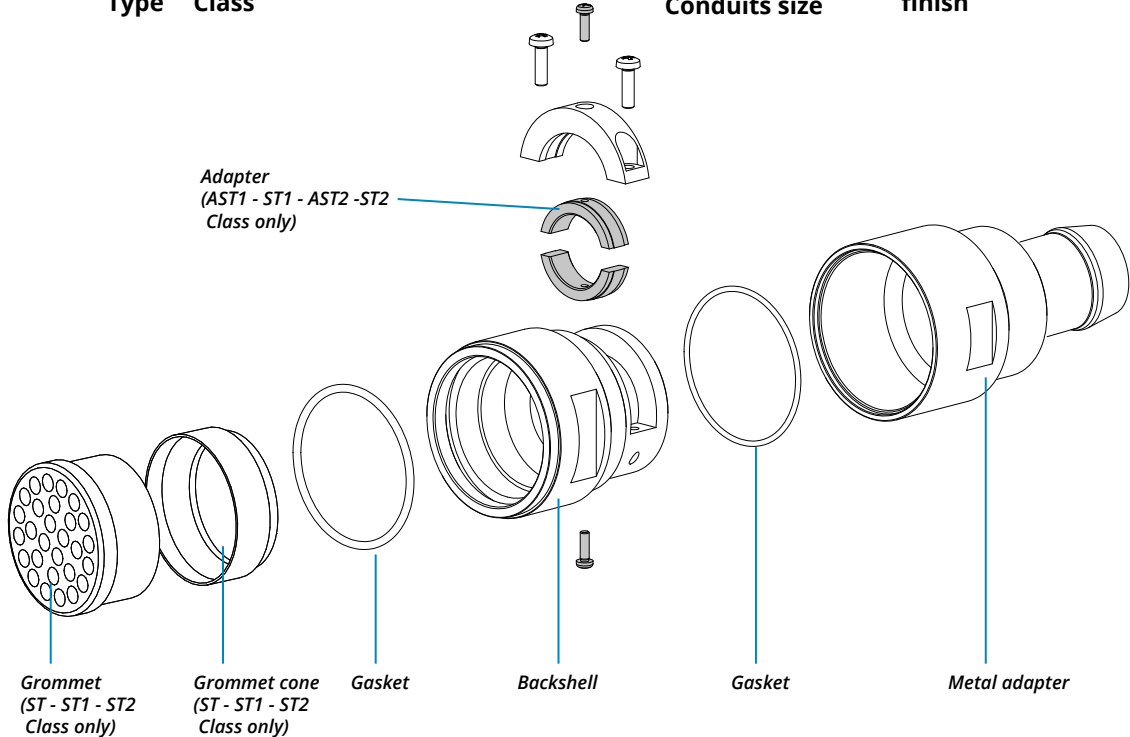
**Series Code**

**Shell Type**

**Connector Class**

**Backshell Conduits size**

**Shell finish**



<input type="checkbox"/>	<b>Insulating material</b>	-	Thermoplastic resin	<b>24-10</b>	<b>Insert Arrangement</b>		Page 14
<input checked="" type="checkbox"/>	<b>Series Code</b>	<b>KVBS</b>	Bayonet Connector with protected mating ramps	<b>S</b>	<b>Contact Gender</b>	<b>S</b>	Socket contacts
<input type="checkbox"/>	<b>Shell Material</b>	-	Aluminum	<b>P</b>		<b>P</b>	Pin contacts
<input type="checkbox"/>	<b>Shell Type</b>	<b>06</b>	Plug Connector without grounding finger	<b>X</b>	<b>Polarization Code**</b>		Page 14
<input type="checkbox"/>		<b>96</b>	Plug Connector with grounding finger	<b>FS</b>	<b>Backshell Conduits size</b>	<b>FS</b>	Provided with a special adapter for UNI4883 rubber conduits
<input type="checkbox"/>		<b>AST</b>	with waterproof O-ring (IP67***)	<b>xxxx</b>	<b>Conduit Size</b>	<b>xxxx</b>	ØA1ØA2
<input type="checkbox"/>		<b>ST</b>	with waterproof O-ring and grommet (IP67***)	<b>LC</b>	<b>Contact Termination</b>	<b>LC</b>	Less contacts
<input checked="" type="checkbox"/>	<b>Connector Class</b>	<b>AST1</b>	with waterproof O-ring (IP67***)	<b>-</b>	<b>Contact Plating</b>	<b>-</b>	Silver plating
<input type="checkbox"/>		<b>ST1</b>	with waterproof O-ring and grommet (IP67***)	<b>CD5</b>		<b>CD5</b>	Gold plating
<input type="checkbox"/>		<b>AST2</b>	with waterproof O-ring (IP67***)	<b>F7</b>	<b>Shell finish</b>	<b>F7</b>	Black epoxy varnish (*)
<input type="checkbox"/>		<b>ST2</b>	with waterproof O-ring and grommet (IP67***)	<b>F16</b>		<b>F16</b>	CCF - Black passivation (*)
<input type="checkbox"/>	<b>Connector Modification**</b>	<b>T</b>	With plastic caps	<b>F26</b>		<b>F26</b>	hard anodization (*)
<input type="checkbox"/>		<b>N</b>		<b>N</b>	<b>Modification Code**</b>	<b>N</b>	Consult our sales office
<input type="checkbox"/>		<b>S</b>		<b>S</b>		<b>S</b>	

\*\*\* Protection degree: IP 67 (only in the mating area with mated connectors) according to EN 60529 (\*) RoHS compliance (\*\*\*) If required

P/N Sample: KVBS 06STT 24-10SX FS2015 LC F7 N

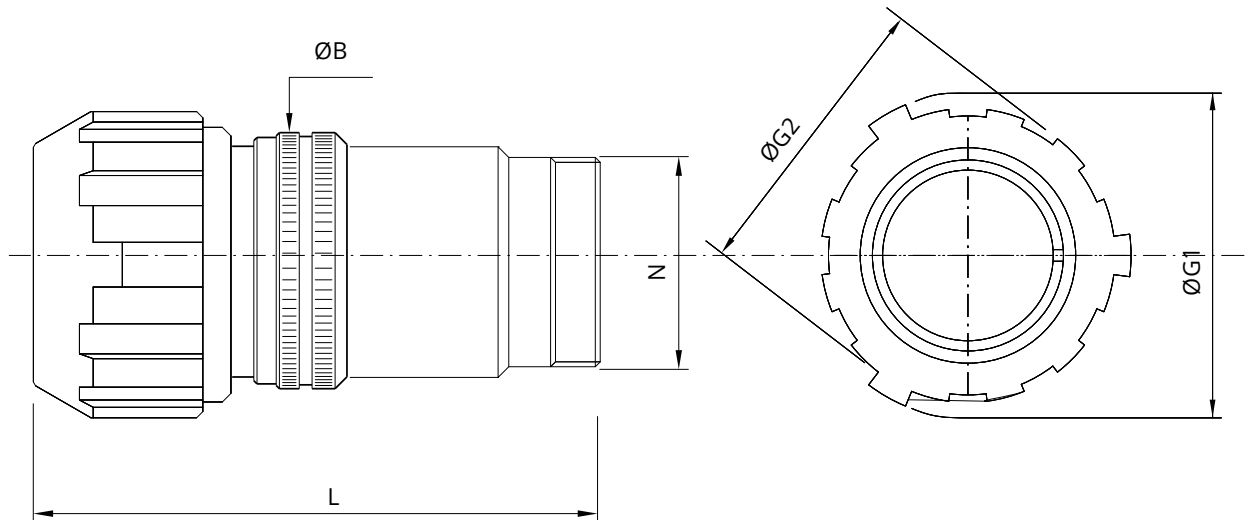
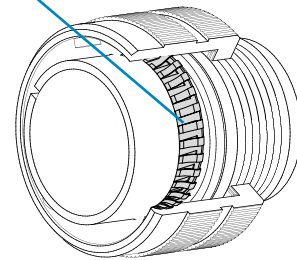
## KVBS - Bayonet Connector with protected mating ramps

### Plug Connector with rubber covered coupling nut (06..GG - 61..GG - 96..GG - 961..GG) with Backshell Class (A - DA - RA)

Connector with backshell provided with an external thread suitable for MS3057...A or C type cable-clamps (to be ordered separately). Rubber covered coupling nut able to protect against dust and impact.



Grounding finger  
for Shell 96/961

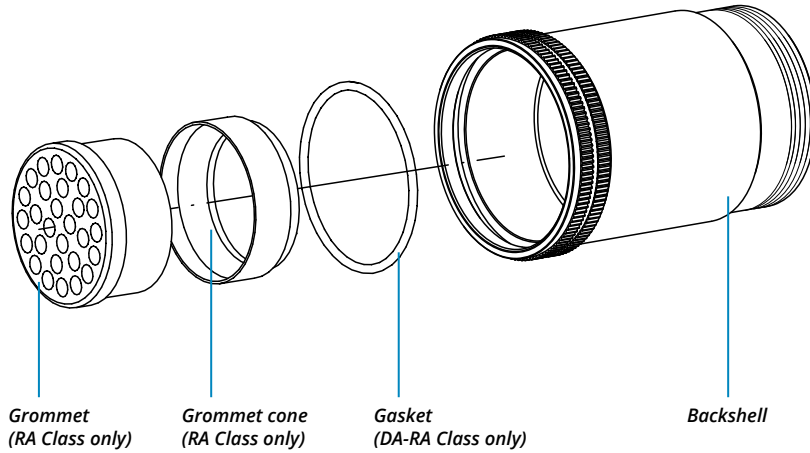


Shell size	ØG1	ØG2	ØB ±0.2	L max	N Backshell Thread in inches
18	49	43.5	30	104	1"-20 UNEF
20	51.5	46	32	104	1" 3/16-18 UNEF
22	56	50.5	37	104	1" 3/16-18 UNEF
24	60	54	40	109	1" 7/16-18 UNEF
28	67	61	45	109	1" 7/16-18 UNEF
36	82	73.5	58	129	2"-18 UNS
40	88	80	63.8	129	2"1/4-16 UN

Dimensions in mm

Dimension "L" can be different from the value indicated according to backshells accessories, wires size and some special insert configurations.

# KVBS - Bayonet Connector with protected mating ramps



<input type="checkbox"/>	<b>Insulating material</b>	-	Thermoplastic resin	<input checked="" type="checkbox"/>	<b>Coupling Nut Type</b>	GG	Rubber Covered
<input checked="" type="checkbox"/>	<b>Series Code</b>	KVBS	Bayonet Connector with protected mating ramps	<input type="checkbox"/>	<b>Connector Modification**</b>	T	With plastic caps
<input type="checkbox"/>	<b>Shell Material</b>	-	Aluminum	<input type="checkbox"/>	<b>Insert Arrangement</b>	24-10	Page 14
<input checked="" type="checkbox"/>	<b>Shell Type</b>	06	Plug Connector without grounding finger	<input type="checkbox"/>	<b>Contact Gender</b>	S	Socket contacts
		96	Plug Connector with grounding finger	P		Pin contacts	
		61	Plug Connector without grounding finger Rubber covered coupling nut (short version)	<input type="checkbox"/>	<b>Polarization Code**</b>	X	Page 14
		961	Plug Connector Rubber covered coupling nut (short version) with grounding finger	<input type="checkbox"/>	<b>Contact Termination</b>	LC	Less contacts
<input checked="" type="checkbox"/>	<b>Connector Class</b>	A	non watertight	<input type="checkbox"/>	<b>Contact Plating</b>	-	Silver plating
		DA	with waterproof O-ring (IP67***)	F7		Shell finish	F7
		RA	with waterproof O-ring and grommet (IP67***)	F16	CCF - Black passivation (*) - conductive	F26	hard anodization (*)
<input type="checkbox"/>	<b>Modification Code**</b>	N	Consult our sales office	<input type="checkbox"/>	<b>Modification Code**</b>	S	Consult our sales office

\*\*\* Protection degree: IP 67 (only in the mating area with mated connectors) according to EN 60529 (\*) RoHS compliance (\*\*) If required

P/N Sample: KVBS 06DAGGT 24-10SX LC F7 N

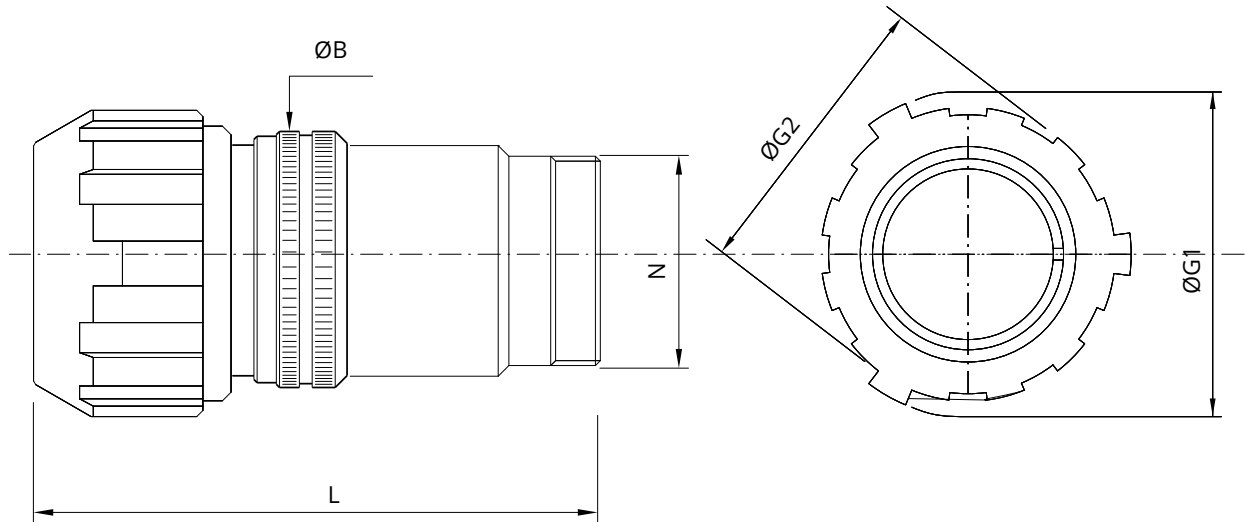
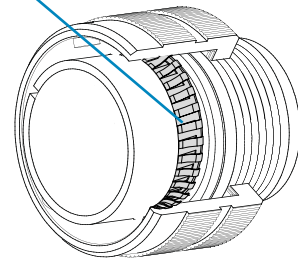
## KVBS - Bayonet Connector with protected mating ramps

### Plug Connector with rubber covered coupling nut (06..GG - 61..GG - 96..GG - 961..GG) with Backshell Class (SA - SDA - SRA)

Connector with SHORT backshell provided with an external thread suitable for MS3057...A or C type cable-clamps (to be ordered separately). Rubber covered coupling nut able to protect against dust and impact.



Grounding finger for Shell 96/961



Shell size	ØG1	ØG2	ØB ±0.2	L max	N Backshell Thread in inches
18	49	43.5	30	*	1"-20 UNEF
20	51.5	46	32	*	1" 3/16-18 UNEF
22	56	50.5	37	*	1" 3/16-18 UNEF
24	60	54	40	*	1" 7/16-18 UNEF
28	67	61	45	*	1" 7/16-18 UNEF
36	82	73.5	58	*	2"-18 UNS
40	88	80	63.8	*	2"1/4-16 UN

Dimensions in mm

\* On request (please consult our Sales Office)

Dimension "L" can be different from the value indicated according to backshells accessories, wires size and some special insert configurations.

# KVBS - Bayonet Connector with protected mating ramps

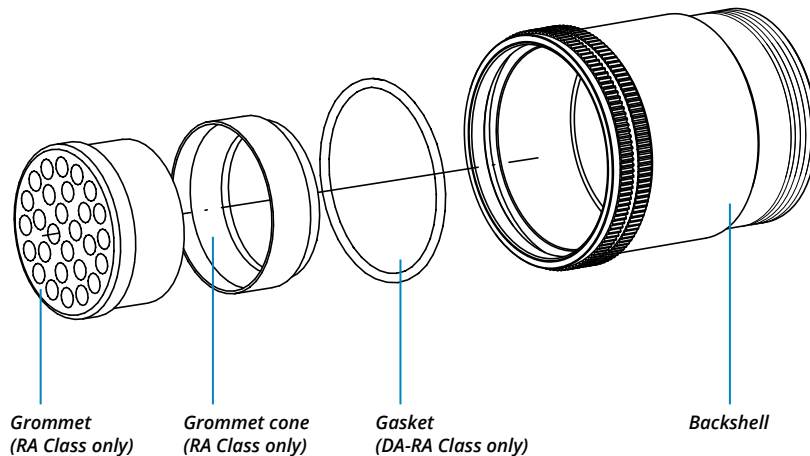


**Series Code**

**Shell Type**

**Connector Class**

**Shell finish**



<input type="checkbox"/>	<b>Insulating material</b>	-	Thermoplastic resin	<input checked="" type="checkbox"/>	<b>Coupling Nut Type</b>	<input checked="" type="checkbox"/>	Rubber Covered	
<input checked="" type="checkbox"/>	<b>Series Code</b>	<b>KVBS</b>	Bayonet Connector with protected mating ramps	<input type="checkbox"/>	<b>Connector Modification**</b>	<input type="checkbox"/>	With plastic caps	
<input type="checkbox"/>	<b>Shell Material</b>	-	Aluminum	<input type="checkbox"/>	<b>Insert Arrangement</b>		Page 14	
<input checked="" type="checkbox"/>	<b>Shell Type</b>	<b>06</b>	Plug Connector without grounding finger	<input type="checkbox"/>	<b>Contact Gender</b>	<input type="checkbox"/>	Socket contacts	
		<b>96</b>	Plug Connector with grounding finger	<input type="checkbox"/>		<input type="checkbox"/>	Pin contacts	
		<b>61</b>	Plug Connector without grounding finger Rubber covered coupling nut (short version)	<input type="checkbox"/>	<b>Polarization Code**</b>		Page 14	
		<b>961</b>	Plug Connector Rubber covered coupling nut (short version) with grounding finger	<input type="checkbox"/>		<input type="checkbox"/>	<b>Contact Termination</b>	<input type="checkbox"/>
<input checked="" type="checkbox"/>	<b>Connector Class</b>	<b>SA</b>	non watertight	<input type="checkbox"/>	<b>Contact Plating</b>	-	Silver plating	
		<b>SDA</b>	with waterproof O-ring (IP67***)	<input checked="" type="checkbox"/>		<b>Shell finish</b>	<input checked="" type="checkbox"/>	Black epoxy varnish (*)
		<b>SRA</b>	with waterproof O-ring and grommet (IP67***)	<input type="checkbox"/>		<input type="checkbox"/>	<input type="checkbox"/>	CCF - Black passivation (*) - conductive
				<input type="checkbox"/>	<b>Modification Code**</b>	<input type="checkbox"/>	hard anodization (*)	
				<input type="checkbox"/>		<input type="checkbox"/>	Consult our sales office	

\*\*\* Protection degree: IP 67 (only in the mating area with mated connectors) according to EN 60529 (\*) RoHS compliance (\*\*) If required

P/N Sample: KVBS 06SDAGGT 24-10SX LC F7 N

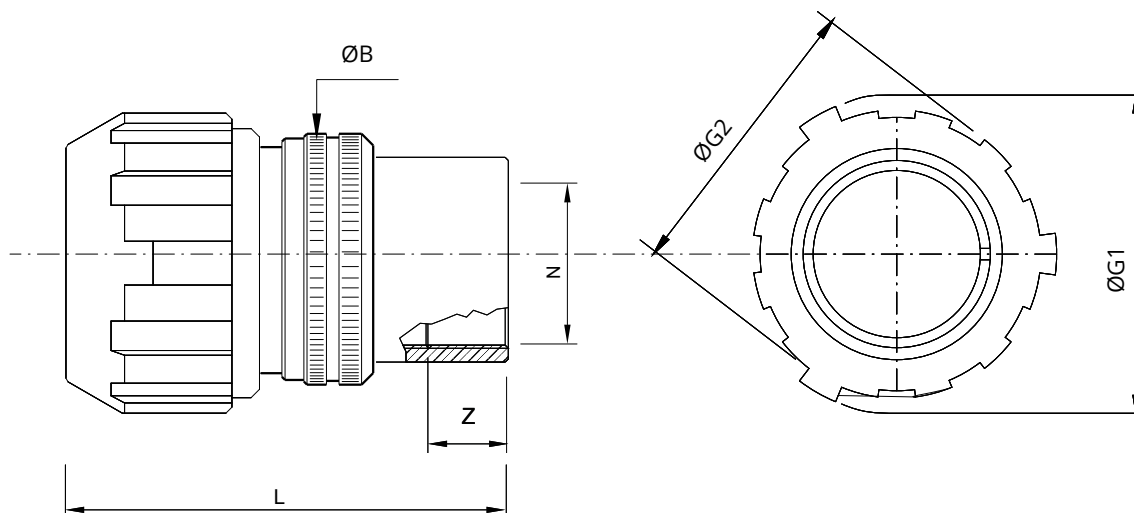
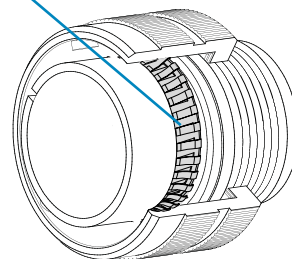
## KVBS - Bayonet Connector with protected mating ramps

### Plug Connector with rubber covered coupling nut (06..GG - 61..GG - 96..GG - 961..GG) with Backshell Class (DA..M - RA..M)

Connector with backshell provided with an internal Metric thread suitable for cable glands or conduit adapters. Rubber covered coupling nut able to protect against dust and impact.



Grounding finger for Shell 96/961



Shell size	ØG1	ØG2	ØB ±0.2	L max	Z min	N Backshell Thread Metric
18	49	43.5	30	104	*	M20
20	51.5	46	32	104	16	M25
22	56	50.5	37	104	*	M25
24	60	54	40	109	*	M32
28	67	61	45	109	15	M32 - M40
36	82	73.5	58	129	*	M40
40	88	80	63.8	129	*	M50

Dimensions in mm

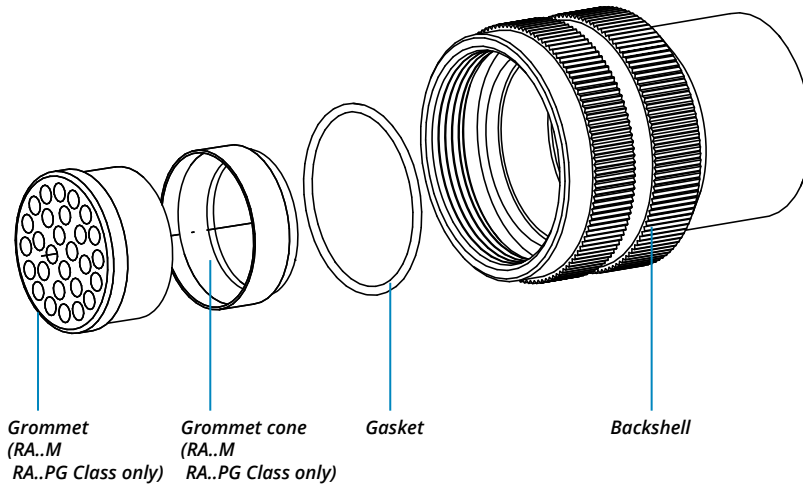
\* On Request

Dimension "L" can be different from the value indicated according to backshells accessories, wires size and some special insert configurations.



# KVBS - Bayonet Connector with protected mating ramps

<input type="checkbox"/>	<b>KVBS</b>	<input type="checkbox"/>	<b>06</b>	<b>DA</b>	<b>GG</b>	<input type="checkbox"/>	<b>T</b>	<b>24-10</b>	<input type="checkbox"/>	<b>S</b>	<input type="checkbox"/>	<b>X</b>	<b>M20</b>	<input type="checkbox"/>	<b>LC</b>	<b>F7</b>	<input type="checkbox"/>	<input type="checkbox"/>	<b>N</b>
	<b>Series Code</b>		<b>Shell Type</b>	<b>Connector Class</b>									<b>Backshell internal thread</b>			<b>Shell finish</b>			



<input type="checkbox"/>	<b>Insulating material</b>	-	Thermoplastic resin	<b>T</b>	<b>Connector Modification**</b>	<b>T</b>	With plastic caps
<b>KVBS</b>	<b>Series Code</b>	<b>KVBS</b>	Bayonet Connector with protected mating ramps	<b>24-10</b>	<b>Insert Arrangement</b>		Page 14
<input type="checkbox"/>	<b>Shell Material</b>	-	Aluminum	<b>S</b>	<b>Contact Gender</b>	<b>S</b>	Socket contacts
						<b>P</b>	Pin contacts
<b>06</b>	<b>Shell Type</b>	<b>06</b>	Plug Connector without grounding finger	<b>X</b>	<b>Polarization Code**</b>		Page 14
		<b>96</b>	Plug Connector with grounding finger	<b>M20</b>	<b>Backshell internal thread</b>	<b>Mxx</b>	Provided with an internal Metric thread
		<b>61</b>	Plug Connector without grounding finger Rubber covered coupling nut (short version)	<b>LC</b>	<b>Contact Termination</b>	<b>LC</b>	Less contacts
		<b>961</b>	Plug Connector Rubber covered coupling nut (short version) with grounding finger	<input type="checkbox"/>	<b>Contact Plating</b>	-	Silver plating
<b>DA</b>	<b>Connector Class</b>	<b>DA</b>	with waterproof O-ring (IP67***)			<b>CD5</b>	Gold plating
		<b>RA</b>	with waterproof O-ring and grommet (IP67***)	<b>F7</b>	<b>Shell finish</b>	<b>F7</b>	Black epoxy varnish (*)
<b>GG</b>	<b>Coupling Nut Type</b>	<b>GG</b>	Rubber Covered			<b>F16</b>	CCF - Black passivation (*) - conductive
						<b>F26</b>	hard anodization (*)
				<b>N</b>	<b>Modification Code**</b>	<b>N</b>	Consult our sales office
						<b>S</b>	

\*\*\* Protection degree: IP 67 (only in the mating area with mated connectors) according to EN 60529 (\*) RoHS compliance (\*\*) If required

P/N Sample: KVBS 06DAGGT 24-10SX M20 LC F7 N

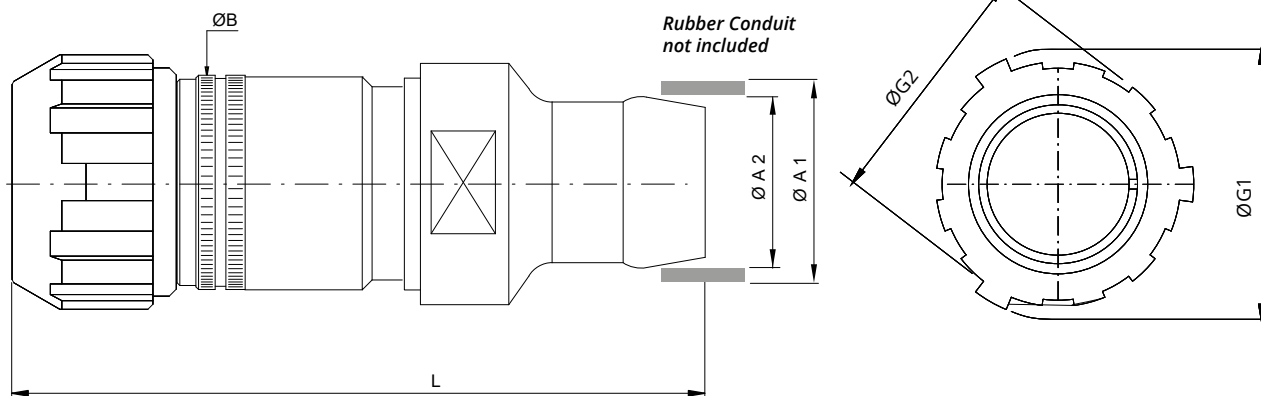
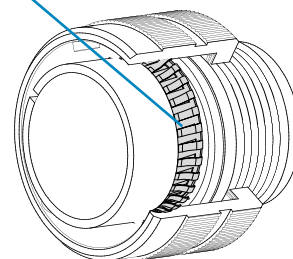
# KVBS - Bayonet Connector with protected mating ramps

## Plug Connector with rubber covered coupling nut (06..GG - 61..GG - 96..GG - 961..GG) with Backshell Class (DA..FS - RA..FS)

Connector with special adapter for UNI4883 rubber conduits.  
Conduit's size must be specified adding the diameter dimensions in the P/N (i.e.: KVBS 06DA...FS5040...).



Grounding finger for Shell 96/961



Please consult our Sales Office for further details about this dimension and according to conduit size.

Shell size	ØG1	ØG2	L max	ØB max
18	49	43.5	*	30
20	51.5	46	*	32
22	56	50.5	*	37
24	60	54	*	40
28	67	61	*	45
36	82	73.5	*	58
40	88	80	*	63.8

Shell size	Backshell Conduit Size	ØA1	ØA2
16-18-20	FS2015	20	15
20-22-24-28	FS2520	25	20
18-20-22-24	FS2722	27	22
20-22-24-28	FS3328	33	28
24-28	FS3530	35	30
28-36	FS4035	40	35
28-40	FS4540	45	40
40	FS5040	50	40
36-40	FS5045	50	45
40	FS5550	55	50
40	FS5945	59	45

Dimensions in mm \* On request (please consult our Sales Office)

Dimension "L" can be different from the value indicated according to backshells accessories, wires size and some special insert configurations.

# KVBS - Bayonet Connector with protected mating ramps



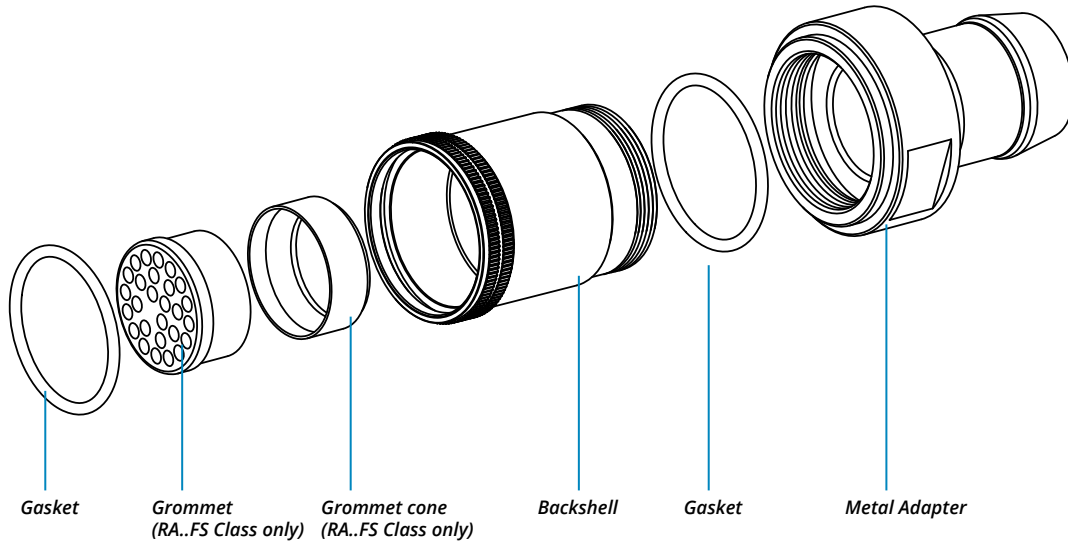
Series Code

Shell Type

Connector Class

Backshell Conduits size

Shell finish



The accessories for this class are not always available in stock for all sizes; we suggest you consult our Sales Office for availability

<input type="checkbox"/>	<b>Insulating material</b>	-	Thermoplastic resin	<input type="checkbox"/>	<b>Connector Modification**</b>	T	With plastic caps
<input checked="" type="checkbox"/>	<b>Series Code</b>	<b>KVBS</b>	Bayonet Connector with protected mating ramps	<input type="checkbox"/>	<b>Insert Arrangement</b>		Page 14
<input type="checkbox"/>	<b>Shell Material</b>	-	Aluminum	<input type="checkbox"/>	<b>Contact Gender</b>	S	Socket contacts
						P	Pin contacts
<input checked="" type="checkbox"/>	<b>Shell Type</b>	06	Plug Connector without grounding finger	<input type="checkbox"/>	<b>Polarization Code**</b>		Page 14
		96	Plug Connector with grounding finger	<input checked="" type="checkbox"/>	<b>Backshell Conduits size</b>	FS	Provided with a special adapter for UNI4883 rubber conduits
		61	Plug Connector without grounding finger Rubber covered coupling nut (short version)	<input checked="" type="checkbox"/>	<b>Conduit Size</b>	xxxx	ØA1ØA2
		961	Plug Connector Rubber covered coupling nut (short version) with grounding finger	<input type="checkbox"/>	<b>Contact Termination</b>	LC	Less contacts
<input checked="" type="checkbox"/>	<b>Connector Class</b>	DA	with waterproof O-ring (IP67***)	<input type="checkbox"/>	<b>Contact Plating</b>	-	Silver plating
		RA	with waterproof O-ring and grommet (IP67***) #			CD5	Gold plating
<input checked="" type="checkbox"/>	<b>Coupling Nut Type</b>	GG	Rubber Covered	<input checked="" type="checkbox"/>	<b>Shell finish</b>	F7	Black epoxy varnish (*)
						F16	CCF - Black passivation (*) conductive
						F26	hard anodization (*)
				<input type="checkbox"/>	<b>Modification Code**</b>	N	Consult our sales office
						S	Consult our sales office

\*\*\* Protection degree: IP 67 (only in the mating area with mated connectors) according to EN 60529 (\*) RoHS compliance (\*\*) If required

P/N Sample: KVBS 06DAGGT 24-10SX FS3328 LC F7 N

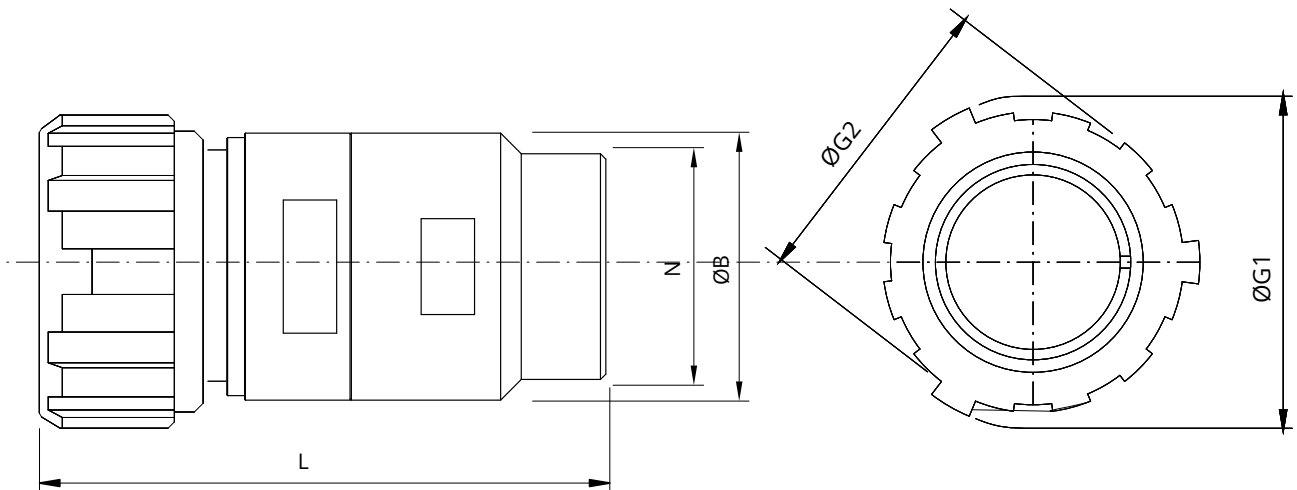
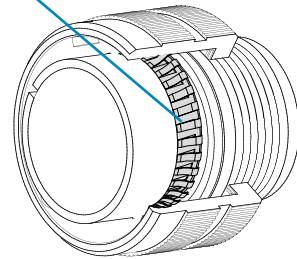
## KVBS - Bayonet Connector with protected mating ramps

### Plug Connector with rubber covered coupling nut (06..GG - 61..GG - 96..GG - 961..GG) with Backshell Class (AST - ST)

Connector with backshell with internal cable retention system (on request ST1/ST2 with clamps for cable diameter reduction) with an external unef thread. Rubber covered coupling nut able to protect against dust and impact.



Grounding finger for Shell 96/961



Shell size	ØG1	ØG2	ØB ±0.2	L	N Backshell Thread in inches	Cable Range		
						ST	ST1	ST2
18	49	43.5	30	114	1"-20 UNEF	14-9	9-4	*
20	51.5	46	32	125	1" 3/16-18 UNEF	19-14	14-9	*
22	56	50.5	38	126,2	1" 3/16-18 UNEF	19-14	14-9	*
24	60	54	45	119	1" 7/16-18 UNEF	23-18	18-13	*
28	67	61	48	119	1" 7/16-18 UNEF	23-18	18-13	*
36	82	73.5	58	139	2"-18 UNS	33-25	25-18	*
40	88	80	65	139	2" 1/4-16 UN	39-31	31-24	24-16

Dimensions in mm

\* On request (please consult our Sales Office)

Dimension "L" can be different from the value indicated according to backshells accessories, wires size and some special insert configurations.

# KVBS - Bayonet Connector with protected mating ramps

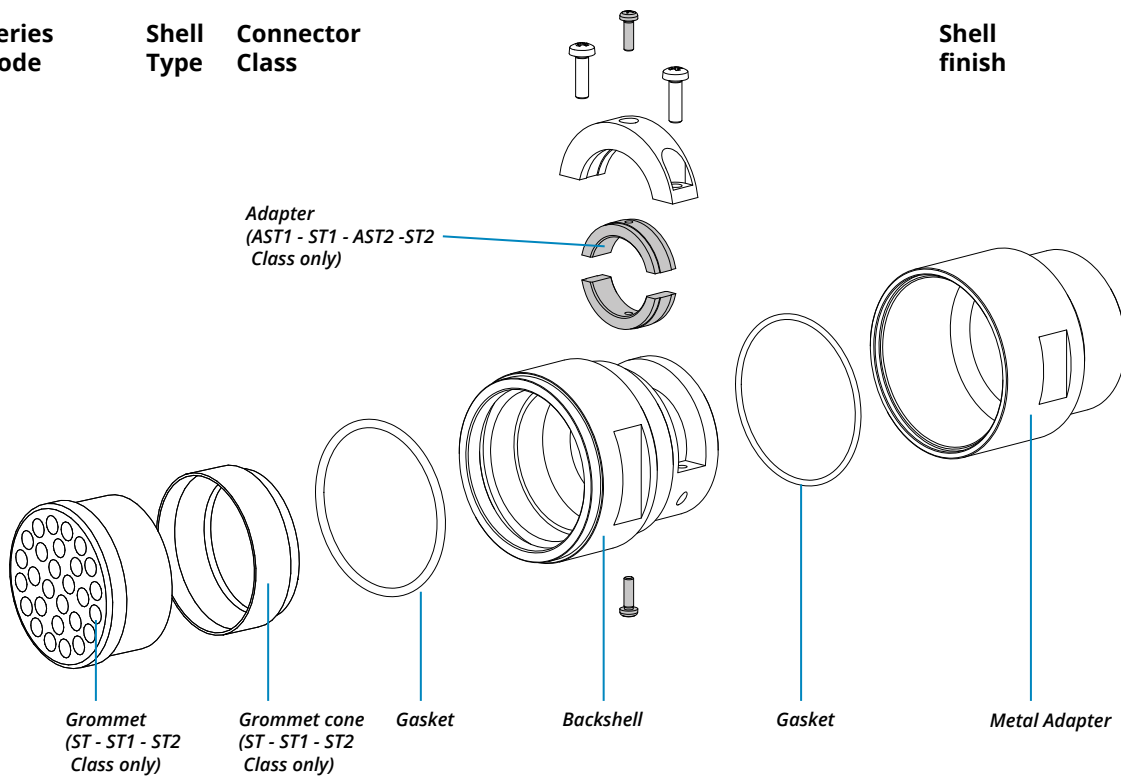


Series Code

Shell Type

Connector Class

Shell finish



<input type="checkbox"/>	<b>Insulating material</b>	-	Thermoplastic resin	<input checked="" type="checkbox"/>	<b>Coupling Nut Type</b>	GG	Rubber Covered
<input checked="" type="checkbox"/>	<b>Series Code</b>	KVBS	Bayonet Connector with protected mating ramps	<input type="checkbox"/>	<b>Connector Modification**</b>	T	With plastic caps
<input type="checkbox"/>	<b>Shell Material</b>	-	Aluminum	<input type="checkbox"/>	<b>Insert Arrangement</b>	24-10	Page 14
<input checked="" type="checkbox"/>	<b>Shell Type</b>	06	Plug Connector without grounding finger	<input type="checkbox"/>	<b>Contact Gender</b>	S	Socket contacts
		96	Plug Connector with grounding finger	<input type="checkbox"/>	<b>Contact Gender</b>	P	Pin contacts
		61	Plug Connector without grounding finger	<input type="checkbox"/>	<b>Polarization Code**</b>	X	Page 14
		961	Rubber covered coupling nut (short version)	<input type="checkbox"/>	<b>Contact Termination</b>	LC	Less contacts
		961	Rubber covered coupling nut (short version) with grounding finger	<input type="checkbox"/>	<b>Contact Plating</b>	-	Silver plating
<input checked="" type="checkbox"/>	<b>Connector Class</b>	AST	with waterproof O-ring (IP67***)	<input type="checkbox"/>	<b>Contact Plating</b>	CD5	Gold plating
		ST	with waterproof O-ring and grommet (IP67***)	<input checked="" type="checkbox"/>	<b>Shell finish</b>	F7	Black epoxy varnish (*)
		AST1	with waterproof O-ring (IP67***)	<input type="checkbox"/>	<b>Shell finish</b>	F16	CCF - Black passivation (*)
		ST1	with waterproof O-ring and grommet (IP67***)	<input type="checkbox"/>	<b>Shell finish</b>	F26	hard anodization (*)
		AST2	with waterproof O-ring (IP67***)	<input type="checkbox"/>	<b>Modification Code**</b>	N	Consult our sales office
		ST2	with waterproof O-ring and grommet (IP67***)	<input type="checkbox"/>	<b>Modification Code**</b>	S	Consult our sales office

\*\*\* Protection degree: IP 67 (only in the mating area with mated connectors) according to EN 60529 (\*) RoHS compliance (\*\*) If required

P/N Sample: KVBS 06STT 24-10SX LC F7 N

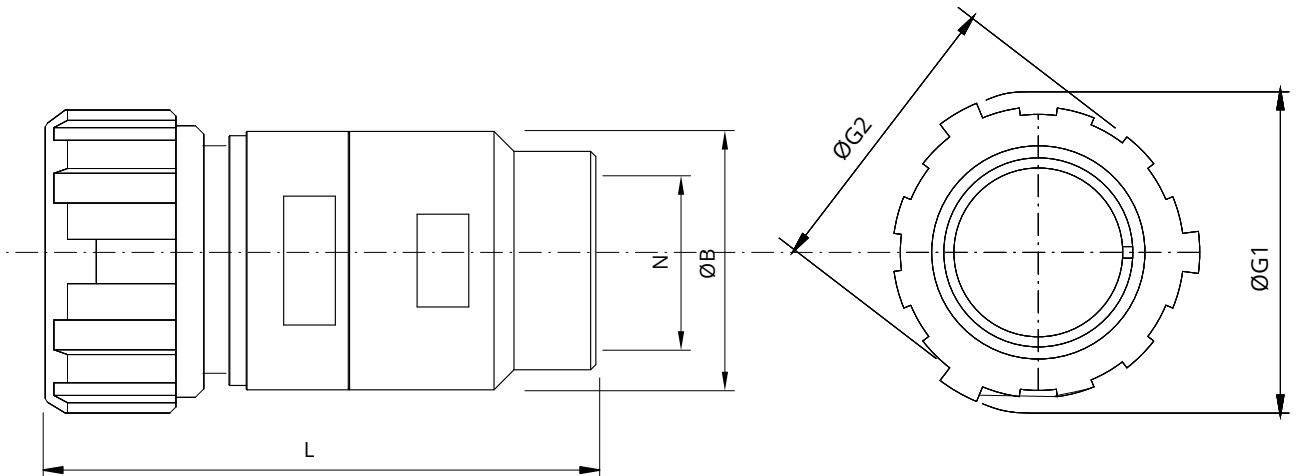
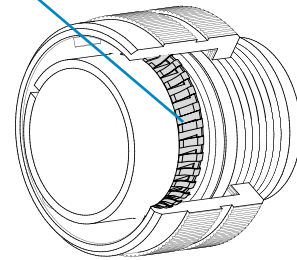
## KVBS - Bayonet Connector with protected mating ramps

### Plug Connector with rubber covered coupling nut (06..GG - 61..GG - 96..GG - 961..GG) with Backshell Class (AST..M - ST..M)

Connector with backshell with internal cable retention system (on request ST1/ST2 with clamps for cable diameter reduction) with an internal Metric thread. Rubber covered coupling nut able to protect against dust and impact.



Grounding finger  
for Shell 96/961



Shell size	ØG1	ØG1	ØB ±0.2	L	N Backshell Thread Metric	Cable Range ST	ST1	ST2
18	49	43.5	30	114	M16 - M20	14-9	9-4	*
20	51.5	46	32	125	M20	19-14	14-9	*
22	56	50.5	38	126,2	M25	19-14	14-9	*
24	60	54	45	119	M25	23-18	18-13	*
28	67	61	48	119	M32	23-18	18-13	*
36	82	73.5	58	139	M32 - M40	33-25	25-18	*
40	88	80	65	139	M40 - M50	39-31	31-24	24-16

Dimensions in mm

\* On request (please consult our Sales Office)

Dimension "L" can be different from the value indicated according to backshells accessories, wires size and some special insert configurations.

# KVBS - Bayonet Connector with protected mating ramps

KVBS
06
ST
GG
T
24-10
S
X
M20
LC
F7
N

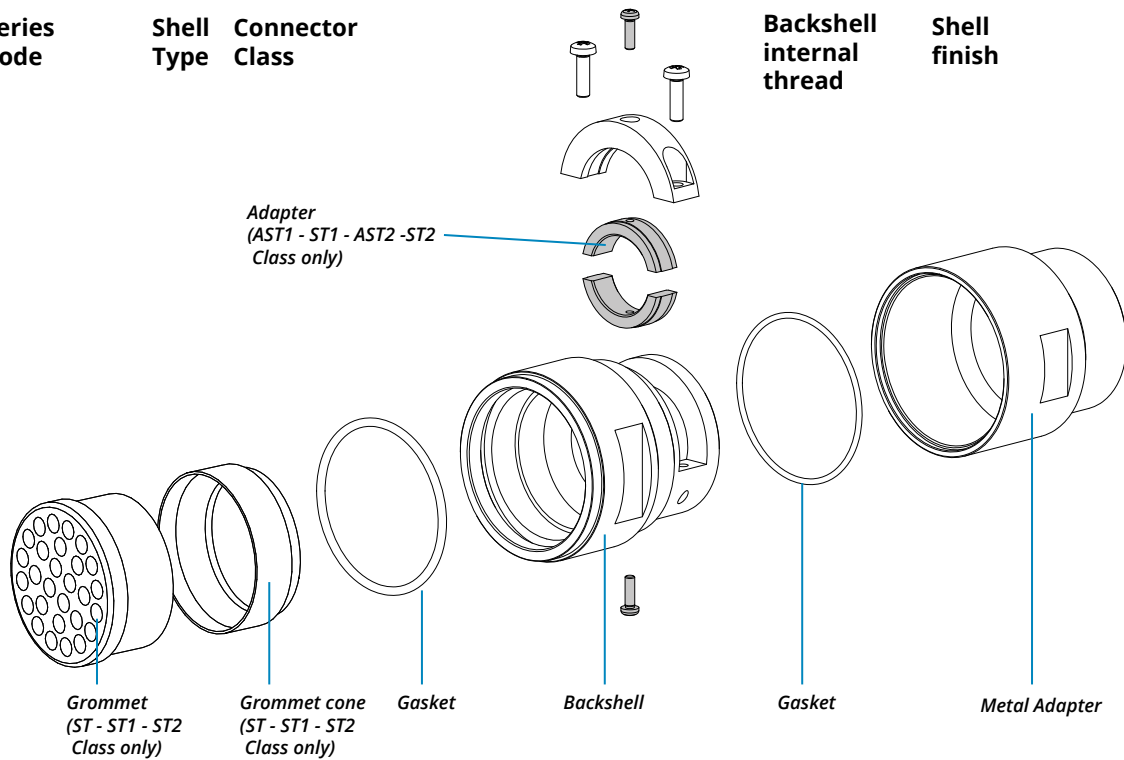
Series Code

Shell Type

Connector Class

Backshell internal thread

Shell finish



<span style="border: 1px solid black; border-radius: 50%; padding: 2px 5px;"></span>	<b>Insulating material</b>	-	Thermoplastic resin	<span style="border: 1px solid black; border-radius: 50%; padding: 2px 5px;">GG</span>	<b>Coupling Nut Type</b>	<span style="border: 1px solid black; border-radius: 50%; padding: 2px 5px;">GG</span>	Rubber Covered
<span style="border: 1px solid black; border-radius: 50%; padding: 2px 5px;">KVBS</span>	<b>Series Code</b>	<span style="border: 1px solid black; border-radius: 50%; padding: 2px 5px;">KVBS</span>	Bayonet Connector with protected mating ramps	<span style="border: 1px solid black; border-radius: 50%; padding: 2px 5px;">T</span>	<b>Connector Modification**</b>	<span style="border: 1px solid black; border-radius: 50%; padding: 2px 5px;">T</span>	With plastic caps
<span style="border: 1px solid black; border-radius: 50%; padding: 2px 5px;"></span>	<b>Shell Material</b>	-	Aluminum	<span style="border: 1px solid black; border-radius: 50%; padding: 2px 5px;">24-10</span>	<b>Insert Arrangement</b>		Page 14
<span style="border: 1px solid black; border-radius: 50%; padding: 2px 5px;">06</span>	<b>Shell Type</b>	<span style="border: 1px solid black; border-radius: 50%; padding: 2px 5px;">06</span>	Plug Connector without grounding finger	<span style="border: 1px solid black; border-radius: 50%; padding: 2px 5px;">S</span>	<b>Contact Gender</b>	<span style="border: 1px solid black; border-radius: 50%; padding: 2px 5px;">S</span>	Socket contacts
		<span style="border: 1px solid black; border-radius: 50%; padding: 2px 5px;">96</span>	Plug Connector with grounding finger			<span style="border: 1px solid black; border-radius: 50%; padding: 2px 5px;">P</span>	Pin contacts
		<span style="border: 1px solid black; border-radius: 50%; padding: 2px 5px;">61</span>	Plug Connector without grounding finger Rubber covered coupling nut (short version)	<span style="border: 1px solid black; border-radius: 50%; padding: 2px 5px;">X</span>	<b>Polarization Code**</b>		Page 14
		<span style="border: 1px solid black; border-radius: 50%; padding: 2px 5px;">961</span>	Plug Connector Rubber covered coupling nut (short version) with grounding finger with waterproof O-ring (IP67***)			<span style="border: 1px solid black; border-radius: 50%; padding: 2px 5px;">M20</span>	<b>Backshell internal thread</b>
<span style="border: 1px solid black; border-radius: 50%; padding: 2px 5px;">ST</span>	<b>Connector Class</b>	<span style="border: 1px solid black; border-radius: 50%; padding: 2px 5px;">AST</span>	with waterproof O-ring and grommet (IP67***)	<span style="border: 1px solid black; border-radius: 50%; padding: 2px 5px;">LC</span>	<b>Contact Termination</b>	<span style="border: 1px solid black; border-radius: 50%; padding: 2px 5px;">LC</span>	Less contacts
		<span style="border: 1px solid black; border-radius: 50%; padding: 2px 5px;">ST</span>	with waterproof O-ring and grommet (IP67***)			<span style="border: 1px solid black; border-radius: 50%; padding: 2px 5px;">-</span>	<b>Contact Plating</b>
		<span style="border: 1px solid black; border-radius: 50%; padding: 2px 5px;">AST1</span>	with waterproof O-ring (IP67***)	<span style="border: 1px solid black; border-radius: 50%; padding: 2px 5px;">F7</span>	<b>Shell finish</b>	<span style="border: 1px solid black; border-radius: 50%; padding: 2px 5px;">CD5</span>	Gold plating
		<span style="border: 1px solid black; border-radius: 50%; padding: 2px 5px;">ST1</span>	with waterproof O-ring and grommet (IP67***)			<span style="border: 1px solid black; border-radius: 50%; padding: 2px 5px;">F7</span>	Black epoxy varnish (*)
		<span style="border: 1px solid black; border-radius: 50%; padding: 2px 5px;">AST2</span>	with waterproof O-ring (IP67***)			<span style="border: 1px solid black; border-radius: 50%; padding: 2px 5px;">F16</span>	CCF - Black passivation (*) conductive
		<span style="border: 1px solid black; border-radius: 50%; padding: 2px 5px;">ST2</span>	with waterproof O-ring and grommet (IP67***)			<span style="border: 1px solid black; border-radius: 50%; padding: 2px 5px;">F26</span>	hard anodization (*)
		<span style="border: 1px solid black; border-radius: 50%; padding: 2px 5px;">N</span>	<b>Modification Code**</b>	<span style="border: 1px solid black; border-radius: 50%; padding: 2px 5px;">N</span>	<span style="border: 1px solid black; border-radius: 50%; padding: 2px 5px;">S</span>	Consult our sales office	

\*\*\* Protection degree: IP 67 (only in the mating area with mated connectors) according to EN 60529 (\*) RoHS compliance (\*\*) If required

P/N Sample: KVBS 06STGGT 24-10SX M20 LC F7 N

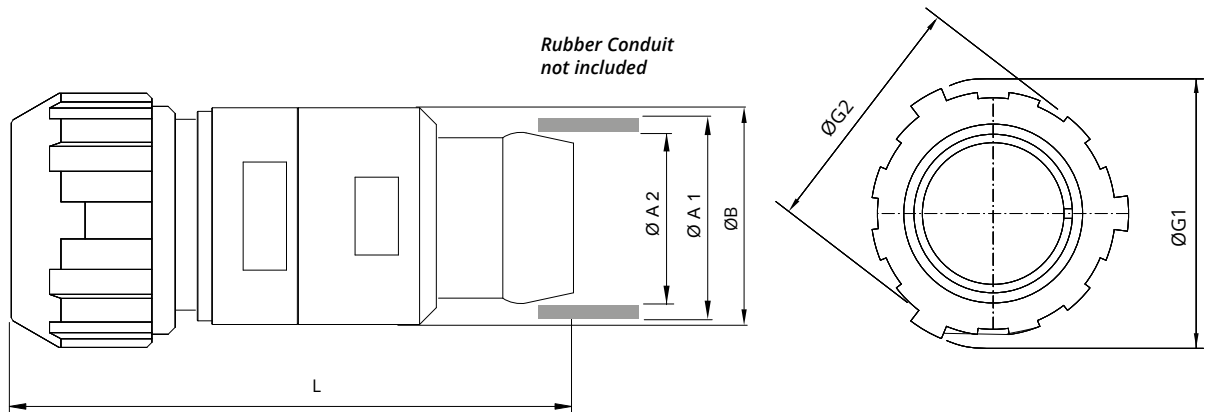
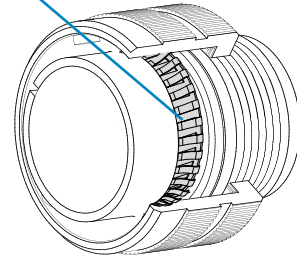
# KVBS - Bayonet Connector with protected mating ramps

## Plug Connector with rubber covered coupling nut (06..GG - 61..GG - 96..GG - 961..GG) with Backshell Class (AST..FS - ST..FS)

Connector with backshell with internal cable retention system (on request ST1/ST2 with clamps for cable diameter reduction) with a special adapter for UNI4883 rubber conduits



Grounding finger for Shell 96/961



Shell size	Backshell Conduit Size	ØA1	ØA2
24-28	FS3328	33	28
24-28	FS3833	38	33
36	FS4035	40	35
40	FS5040	50	40
36	FS5045	50	45
40	FS5550	55	50

Please consult our Sales Office for further details about this dimension and according to conduit size.

Shell size	ØG1	ØG12	ØB ±0.2	L	Cable Range		
					ST	ST1	ST2
18	49	43.5	30	120	14-9	9-4	*
20	51.5	46	32	*	19-14	14-9	*
22	56	50.5	38	*	19-14	14-9	*
24	60	54	45	*	23-18	18-13	*
28	67	61	48	*	23-18	18-13	*
36	82	73.5	58	*	33-25	25-18	*
40	88	80	65	*	39-31	31-24	24-16

Dimensions in mm

\* On request (please consult our Sales Office)

Dimension "L" can be different from the value indicated according to backshells accessories, wires size and some special insert configurations.



# KVBS - Bayonet Connector with protected mating ramps



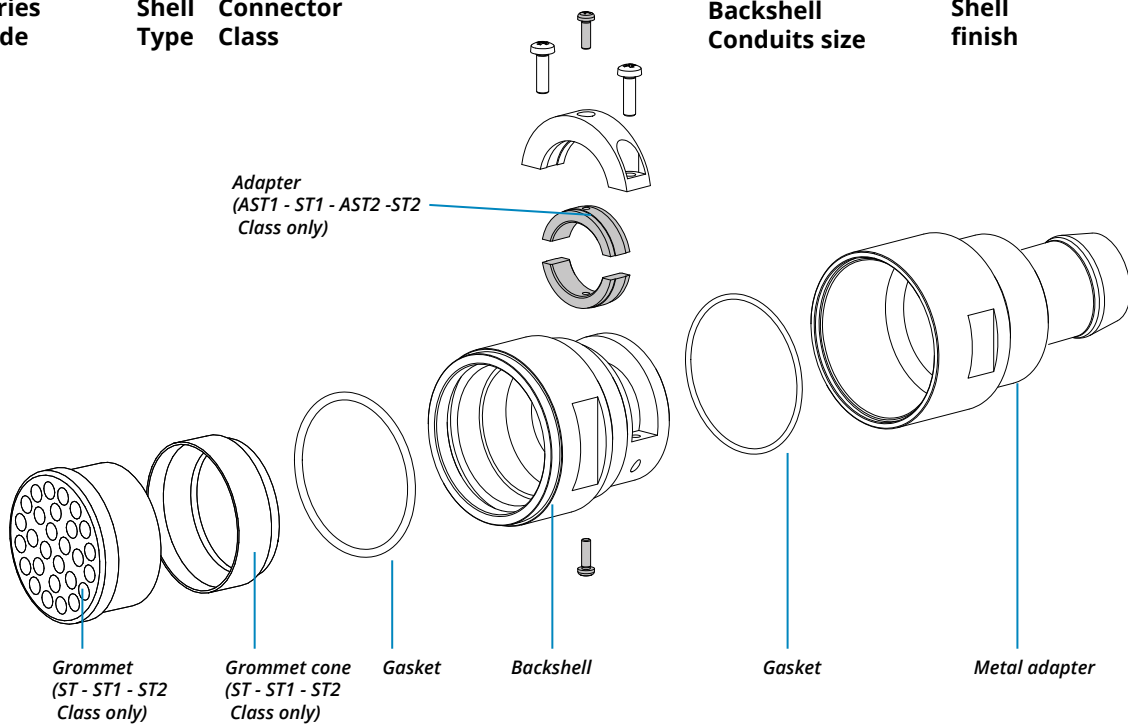
Series Code

Shell Type

Connector Class

Backshell Conduits size

Shell finish



<input type="checkbox"/>	<b>Insulating material</b>	-	Thermoplastic resin	<input type="checkbox"/>	<b>Connector Modification**</b>	T	With plastic caps
<input checked="" type="checkbox"/>	<b>Series Code</b>	<b>KVBS</b>	Bayonet Connector with protected mating ramps	<input type="checkbox"/>	<b>Insert Arrangement</b>	24-10	Page 14
<input type="checkbox"/>	<b>Shell Material</b>	-	Aluminum	<input type="checkbox"/>	<b>Contact Gender</b>	S	Socket contacts
<input type="checkbox"/>				<input type="checkbox"/>		P	Pin contacts
<input checked="" type="checkbox"/>	<b>Shell Type</b>	06	Plug Connector without grounding finger	<input type="checkbox"/>	<b>Polarization Code**</b>	X	Page 14
		96	Plug Connector with grounding finger	<input checked="" type="checkbox"/>	<b>Backshell Conduits size</b>	FS	Provided with a special adapter for UNI4883 rubber conduits
		61	Plug Connector without grounding finger Rubber covered coupling nut (short version)	<input checked="" type="checkbox"/>	<b>Conduit Size</b>	xxxx	ØA1ØA2
		961	Plug Connector Rubber covered coupling nut (short version) with grounding finger	<input type="checkbox"/>	<b>Contact Termination</b>	LC	Less contacts
<input type="checkbox"/>	<b>Connector Class</b>	AST	with waterproof O-ring (IP67***)	<input type="checkbox"/>	<b>Contact Plating</b>	-	Silver plating
<input checked="" type="checkbox"/>		ST	with waterproof O-ring and grommet (IP67***)	<input type="checkbox"/>		CD5	Gold plating
		AST1	with waterproof O-ring (IP67***)	<input checked="" type="checkbox"/>	<b>Shell finish</b>	F7	Black epoxy varnish (*)
		ST1	with waterproof O-ring and grommet (IP67***)			F16	CCF - Black passivation (*)
		AST2	with waterproof O-ring (IP67***)			F26	hard anodization (*)
		ST2	with waterproof O-ring and grommet (IP67***)	<input type="checkbox"/>	<b>Modification Code**</b>	N	Consult our sales office
<input checked="" type="checkbox"/>	<b>Coupling Nut Type</b>	GG	Rubber Covered	<input type="checkbox"/>		S	

\*\*\* Protection degree: IP 67 (only in the mating area with mated connectors) according to EN 60529 (\*) RoHS compliance (\*\*\*) If required

P/N Sample: KVBS 06STGGT 24-10SX FS2015 LC F7 N

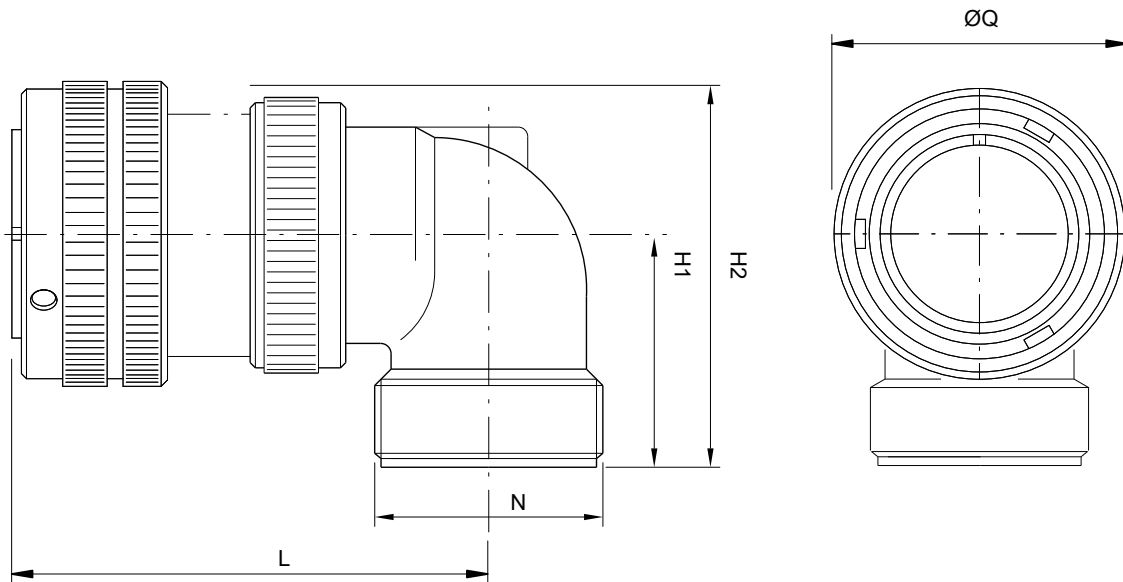
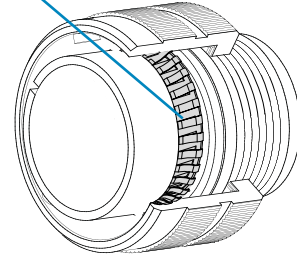
## KVBS - Bayonet Connector with protected mating ramps

### Plug Connector (08/98) with 90° Elbow Class (A - DA - RA)

Connector with 90° elbow provided with an external thread suitable for MS3057...A or C type cable-clamps (to be ordered separately).



Grounding finger  
for Shell 98



Shell size	ØQ ±0.2	L max	H1 max	H2 max	N Backshell Thread in inches
18	37	75	31	48.1	1"-20 UNEF
20	41	80	33	51.7	1" 3/16-18 UNEF
22	43	80	35	55.3	1" 3/16-18 UNEF
24	48	80	38	59.8	1" 7/16-18 UNEF
28	53	80	40	65	1" 7/16-18 UNEF
36	66.2	90	49	80.3	2"-18 UNS
40	72.4	95	53	87.6	2"1/4-16 UN

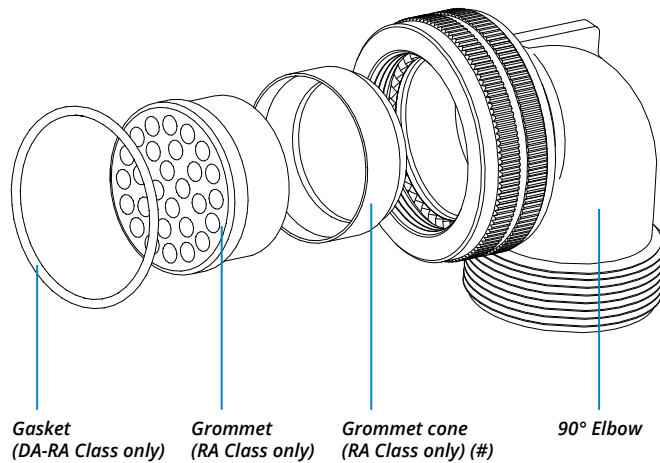
Dimensions in mm

Dimension "L" can be different from the value indicated according to backshells accessories, wires size and some special insert configurations.

# KVBS - Bayonet Connector with protected mating ramps



Series Code: KVBS    Shell Material Type: 08    Connector Class: DA    T    24-10    S    X    LC    -    Shell finish: F7    N



<input type="checkbox"/>	<b>Insulating material</b>	-	Thermoplastic resin	<b>24-10</b>	<b>Insert Arrangement</b>		Page 14
<input checked="" type="checkbox"/>	<b>Series Code</b>	<b>KVBS</b>	Bayonet Connector with protected mating ramps	<input type="checkbox"/>	<b>Contact Gender</b>	<b>S</b>	Socket contacts
<input type="checkbox"/>	<b>Shell Material</b>	-	Aluminum	<input type="checkbox"/>	<b>Contact Gender</b>	<b>P</b>	Pin contacts
<input checked="" type="checkbox"/>	<b>Shell Type</b>	<b>08</b>	Plug Connector with 90° elbow without grounding finger	<input type="checkbox"/>	<b>Polarization Code**</b>		Page 14
		<b>98</b>	Plug Connector with 90° elbow with grounding finger	<input type="checkbox"/>	<b>Contact Termination</b>	<b>LC</b>	Less contacts
<input type="checkbox"/>	<b>Connector Class</b>	<b>A</b>	non watertight	<input type="checkbox"/>	<b>Contact Plating</b>	-	Silver plating
<input checked="" type="checkbox"/>		<b>DA</b>	with waterproof O-ring (IP67***)	<input checked="" type="checkbox"/>	<b>Shell finish</b>	<b>F7</b>	Black epoxy varnish (*)
		<b>RA</b>	with waterproof O-ring and grommet (IP67***)#			<b>F16</b>	CCF - Black passivation (*) - conductive
<input type="checkbox"/>	<b>Connector Modification**</b>	<b>T</b>	With plastic caps			<b>F26</b>	hard anodization (*)
				<input type="checkbox"/>	<b>Modification Code**</b>	<b>N</b>	Consult our sales office
						<b>S</b>	

\*\*\* Protection degree: IP 67 (only in the mating area with mated connectors) according to EN 60529 (\*) RoHS compliance (\*\*) If required

P/N Sample: KVBS 08DAT 24-10SX LC F7 N

(#) In some sizes the grommet cone is not needed

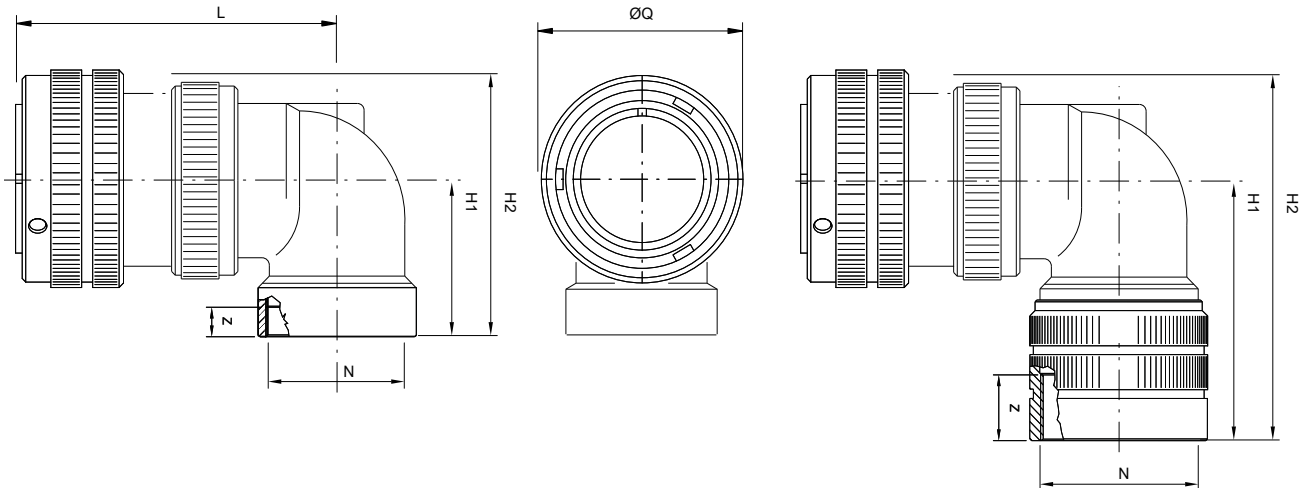
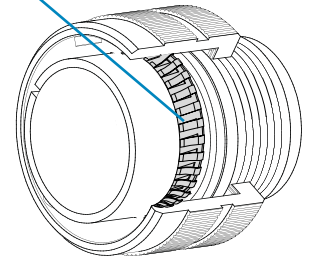
# KVBS - Bayonet Connector with protected mating ramps

## Plug Connector (08/98) with 90° Elbow Class (DA...M - RA...M)

Connector with 90° elbow provided with an internal Metric thread suitable for cable glands or conduit adapters.



Grounding finger  
for Shell 98



Some version can be supplied with internal threading without adaptor.  
Some version can be supplied with adaptor.

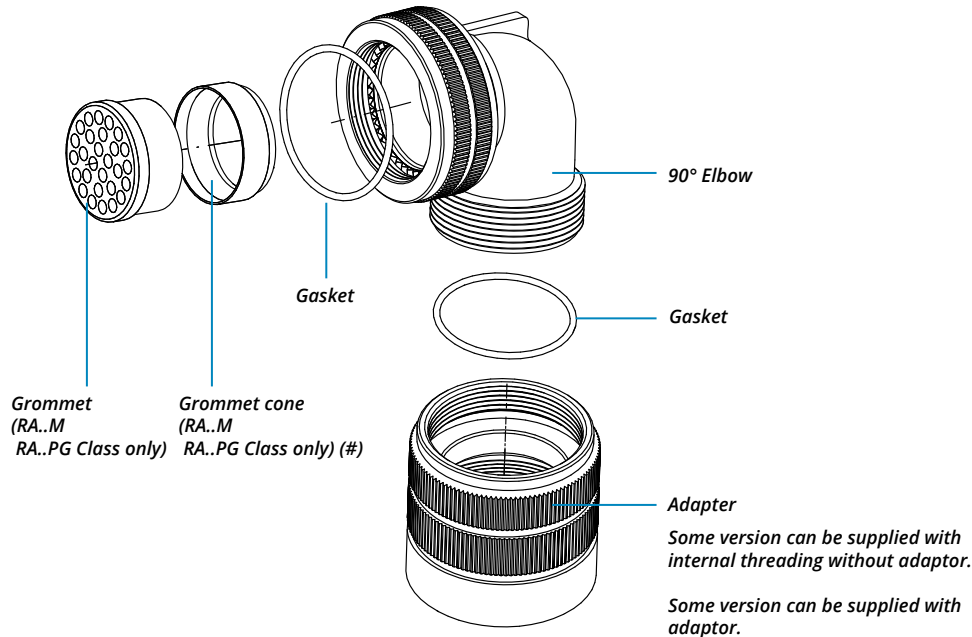
Shell size	ØQ ±0.2	L max	Without adaptor				With adaptor			
			Z min	H1 max	H2 max	N Backshell Thread	Z min	H1 max	H2 max	N Thread
18	37	75	7	31	48.1	M20	12	60	75.2	M25
20	41	80	7	33	51.7	M25	12	62	80.7	M16-M20-M32-M40
22	43	80	7	35	55.3	M25	12	65	85.3	M16-M20-M32-M40
24	48	80	7	38	59.8	M32	15	69	90.8	M25-M40
28	53	80	7	40	65	M32	15	72	97	M25-M40
36	66.2	90	-	-	-	-	15	81	112.3	M32-M40
40	72.4	95	-	-	-	-	15	85	119.6	M32-M40-M50

Dimensions in mm

Dimension "L" can be different from the value indicated according to backshells accessories, wires size and some special insert configurations.

# KVBS - Bayonet Connector with protected mating ramps

<b>KVBS</b>	<b>08</b>	<b>DA</b>	<b>T</b>	<b>24-10</b>	<b>S</b>	<b>X</b>	<b>M20</b>	<b>LC</b>	<b>F7</b>	<b>N</b>
<b>Series Code</b>	<b>Shell Type</b>	<b>Connector Class</b>					<b>Backshell internal thread</b>		<b>Shell finish</b>	



<b>Insulating material</b>	-	Thermoplastic resin	<b>S</b>	<b>Contact Gender</b>	<b>S</b>	Socket contacts
<b>KVBS</b>	<b>Series Code</b>	<b>KVBS</b>	Bayonet Connector with protected mating ramps			
<b>Shell Material</b>	-	Aluminum	<b>X</b>	<b>Polarization Code**</b>	Page 14	
<b>08</b>	<b>Shell Type</b>	<b>08</b>	<b>M20</b>	<b>Backshell internal thread</b>	<b>Mxx</b>	Provided with an internal Metric thread
		<b>98</b>	<b>LC</b>	<b>Contact Termination</b>	<b>LC</b>	Less contacts
<b>DA</b>	<b>Connector Class</b>	<b>DA</b>	<b>-</b>	<b>Contact Plating</b>	<b>-</b>	Silver plating
		<b>RA</b>	<b>F7</b>	<b>Shell finish</b>	<b>F7</b>	Black epoxy varnish (*)
<b>T</b>	<b>Connector Modification**</b>	<b>T</b>			<b>F16</b>	CCF - Black passivation (*) - conductive
					<b>F26</b>	hard anodization (*)
<b>24-10</b>	<b>Insert Arrangement</b>	Page 14	<b>N</b>	<b>Modification Code**</b>	<b>N</b>	Consult our sales office
					<b>S</b>	

\*\*\* Protection degree: IP 67 (only in the mating area with mated connectors) according to EN 60529 (\*) RoHS compliance (\*\*) If required

P/N Sample: KVBS 08DAT 24-10SX M20 LC F7 N

(#) In some sizes the grommet cone is not needed

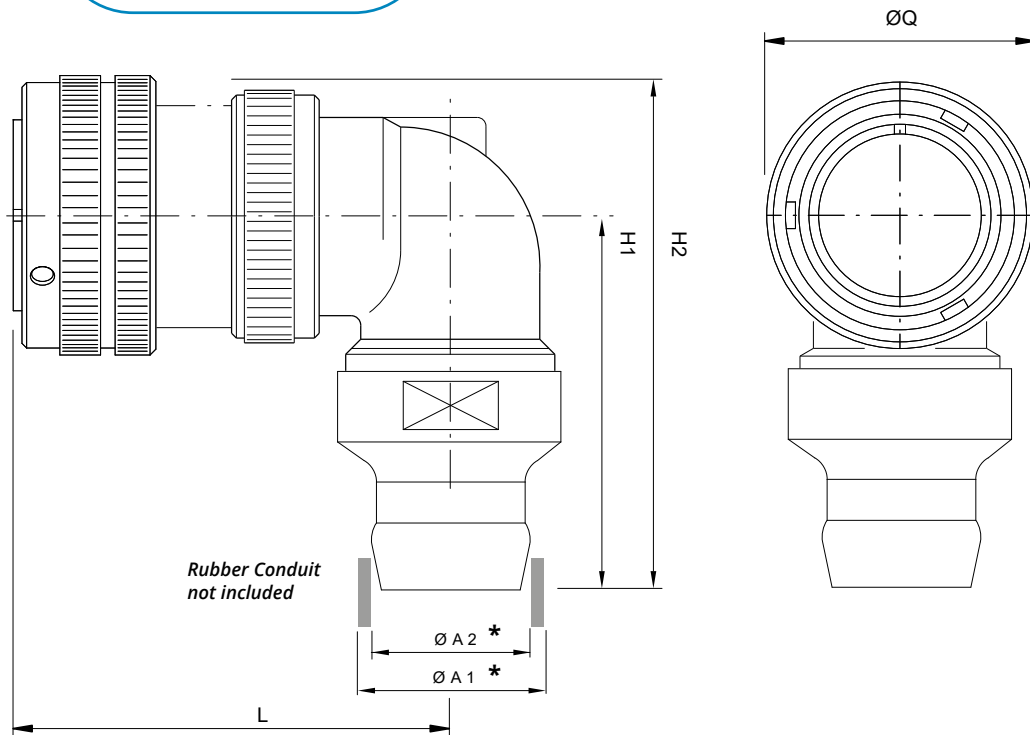
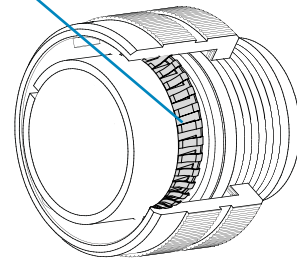
# KVBS - Bayonet Connector with protected mating ramps

## Plug Connector (08/98) with 90° Elbow Class (DA..FS - RA..FS)

Connector with special adapter for UNI4883 rubber conduits.  
Conduit's size must be specified adding the diameter dimensions in the P/N (i.e.: KVBS 06DA...FS5040...).



Grounding finger  
for Shell 98



Please consult our Sales Office for further details about this dimension and according to conduit size.

Shell size	ØQ ±0.2	L max	H1 max	H2 max
18	37	75	*	*
20	41	80	*	*
22	43	80	*	*
24	48	80	*	*
28	53	80	*	*
36	66.2	90	*	*
40	72.4	95	*	*

\* On request (please consult our Sales Office)

Dimensions in mm

Dimension "L" can be different from the value indicated according to backshells accessories, wires size and some special insert configurations.

Shell size	Backshell Conduit Size	ØA1	ØA2
16-18-20	FS2015	20	15
20-22-24-28	FS2520	25	20
18-20-22-24	FS2722	27	22
20-22-24-28	FS3328	33	28
24-28	FS3530	35	30
28-36	FS4035	40	35
28-40	FS4540	45	40
40	FS5040	50	40
36-40	FS5045	50	45
40	FS5550	55	50
40	FS5945	59	45

# KVBS - Bayonet Connector with protected mating ramps



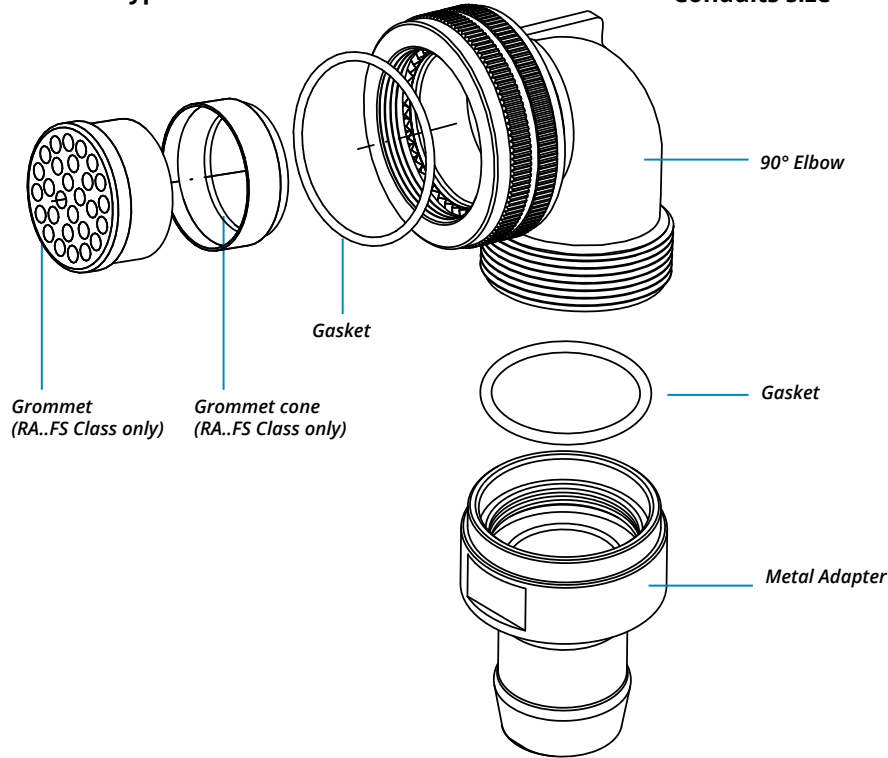
**Series Code**

**Shell Type**

**Connector Class**

**Backshell Conduits size**

**Shell finish**



The accessories for this class are not always available in stock for all sizes; we suggest you consult our Sales Office for availability

<input type="checkbox"/>	<b>Insulating material</b>	-	Thermoplastic resin	<input type="checkbox"/>	<b>Contact Gender</b>	<b>S</b>	Socket contacts
<input type="checkbox"/>				<input type="checkbox"/>		<b>P</b>	Pin contacts
<input checked="" type="checkbox"/>	<b>Series Code</b>	<b>KVBS</b>	Bayonet Connector with protected mating ramps	<input type="checkbox"/>	<b>Polarization Code**</b>	<b>X</b>	Page 14
<input type="checkbox"/>	<b>Shell Material</b>	-	Aluminum	<input checked="" type="checkbox"/>	<b>Backshell Conduits size</b>	<b>FS</b>	Provided with a special adapter for UNI4883 rubber conduits
<input checked="" type="checkbox"/>	<b>Shell Type</b>	<b>08</b>	Plug Connector with 90° elbow without grounding finger	<input checked="" type="checkbox"/>	<b>Conduit Size</b>	<b>3328</b>	xxxx ØA1ØA2
<input checked="" type="checkbox"/>		<b>98</b>	Plug Connector with 90° elbow with grounding finger	<input type="checkbox"/>	<b>Contact Termination</b>	<b>LC</b>	Less contacts
<input checked="" type="checkbox"/>	<b>Connector Class</b>	<b>DA</b>	with waterproof O-ring (IP67***)	<input type="checkbox"/>	<b>Contact Plating</b>	-	Silver plating
<input type="checkbox"/>		<b>RA</b>	with waterproof O-ring and grommet (IP67***) #	<input type="checkbox"/>		<b>CD5</b>	Gold plating
<input type="checkbox"/>	<b>Connector Modification**</b>	<b>T</b>	With plastic caps	<input checked="" type="checkbox"/>	<b>Shell finish</b>	<b>F7</b>	Black epoxy varnish (*)
<input type="checkbox"/>				<input type="checkbox"/>		<b>F16</b>	CCF - Black passivation (*) conductive
<input type="checkbox"/>	<b>Insert Arrangement</b>		Page 14	<input type="checkbox"/>		<b>F26</b>	hard anodization (*)
<input type="checkbox"/>				<input type="checkbox"/>	<b>Modification Code**</b>	<b>N</b>	Consult our sales office
						<b>S</b>	

\*\*\* Protection degree: IP 67 (only in the mating area with mated connectors) according to EN 60529 (\*) RoHS compliance (\*\*) If required (#) In some sizes the grommet cone is not needed

**P/N Sample: KVBS 08DAT 24-10SX FS3328 LC F7 N**

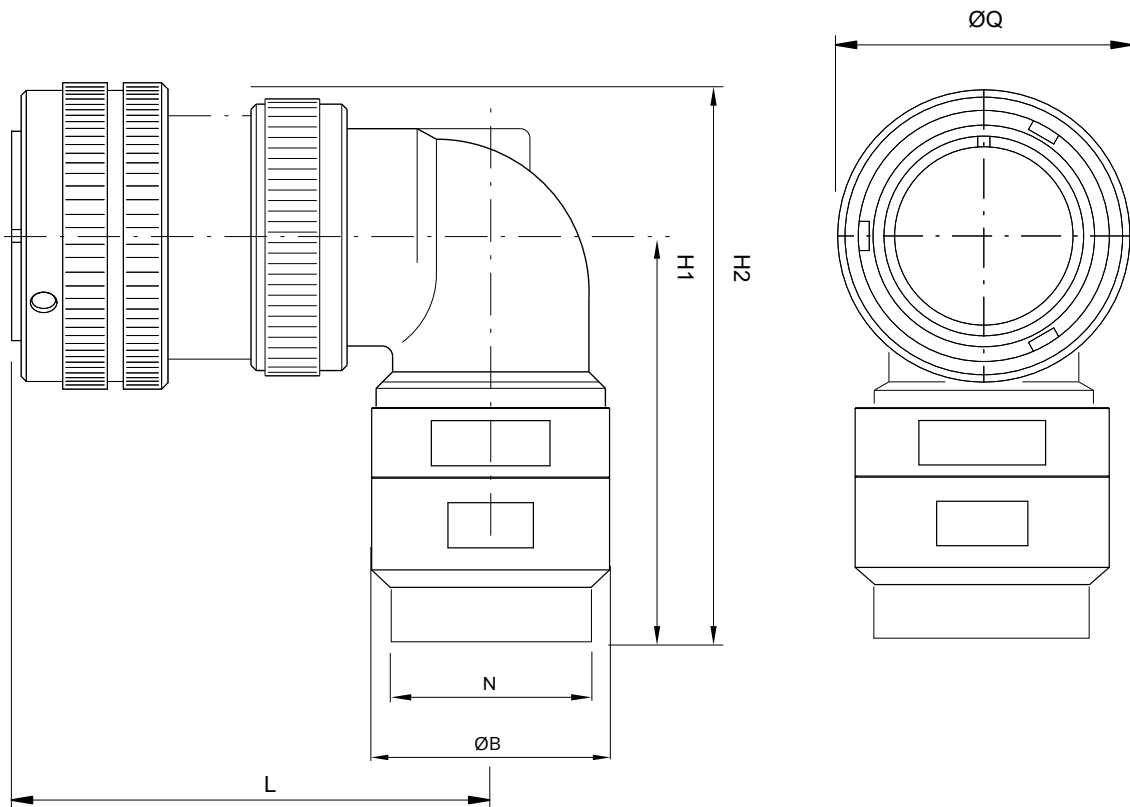
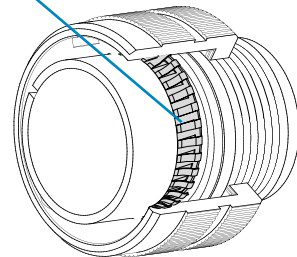
# KVBS - Bayonet Connector with protected mating ramps

## Plug Connector (08/98) with 90° Elbow Class (AST - ST)

Connector with backshell with internal cable retention system (on request ST1/ST2 with clamps for cable diameter reduction) with an external unef thread.



Grounding finger  
for Shell 98



Shell size	ØQ	ØB ±0.2	L	H1	H2	N Backshell Thread in inches	Cable Range		
							ST	ST1	ST2
18	37	30	79	*	*	1"-20 UNEF	14-9	9-4	*
20	41	32	84	*	*	1" 3/16-18 UNEF	19-14	14-9	*
22	43	38	84	*	*	1" 3/16-18 UNEF	19-14	14-9	*
24	48	45	84	*	*	1" 7/16-18 UNEF	23-18	18-13	*
28	53	48	84	*	*	1" 7/16-18 UNEF	23-18	18-13	*
36	66.2	58	94	*	*	2"-18 UNS	33-25	25-18	*
40	72.4	65	99	*	*	2" 1/4-16 UN	39-31	31-24	24-16

Dimensions in mm

\* On request (please consult our Sales Office)

Dimension "L" can be different from the value indicated according to backshells accessories, wires size and some special insert configurations.



# KVBS - Bayonet Connector with protected mating ramps

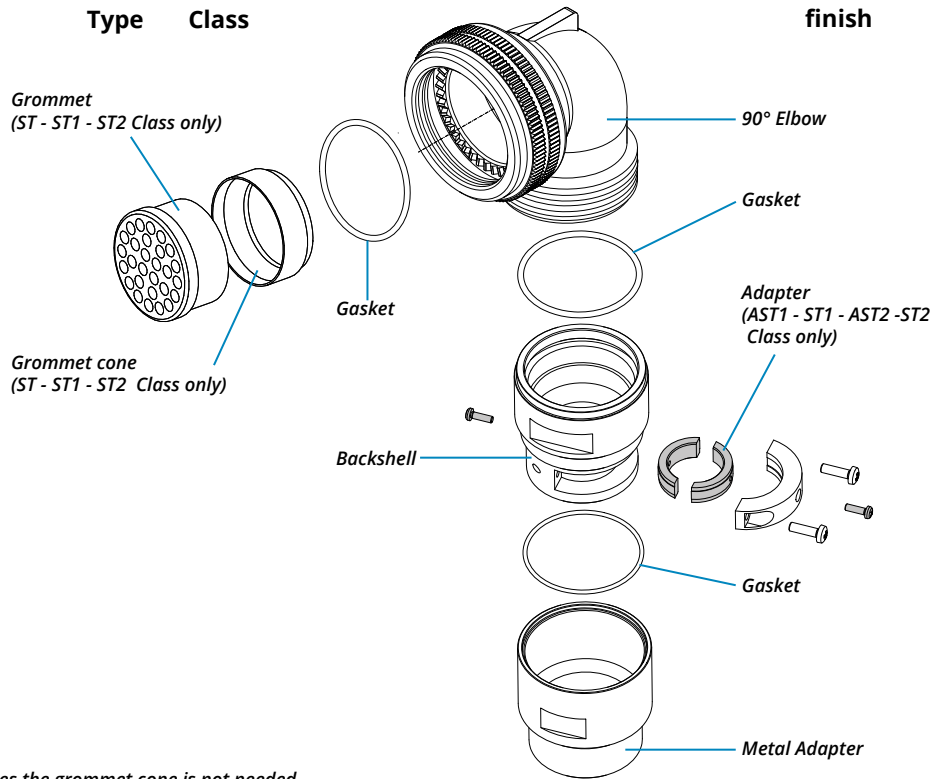


**Series Code**

**Shell Type**

**Connector Class**

**Shell finish**



(#) In some sizes the grommet cone is not needed

<input type="checkbox"/>	<b>Insulating material</b>	-	Thermoplastic resin	<input type="checkbox"/>	<b>Connector Modification**</b>	T	With plastic caps
<input checked="" type="checkbox"/>	<b>Series Code</b>	KVBS	Bayonet Connector with protected mating ramps	<input type="checkbox"/>	<b>Insert Arrangement</b>	24-10	Page 14
<input type="checkbox"/>	<b>Shell Material</b>	-	Aluminum	<input type="checkbox"/>	<b>Contact Gender</b>	S	Socket contacts
<input type="checkbox"/>				<input type="checkbox"/>		P	Pin contacts
<input checked="" type="checkbox"/>	<b>Shell Type</b>	08	Plug Connector with 90° elbow without grounding finger	<input type="checkbox"/>	<b>Polarization Code**</b>	X	Page 14
		98	Plug Connector with 90° elbow with grounding finger	<input type="checkbox"/>	<b>Contact Termination</b>	LC	Less contacts
		AST	with waterproof O-ring (IP67***)	<input type="checkbox"/>	<b>Contact Plating</b>	-	Silver plating
		ST	with waterproof O-ring and grommet (IP67***)	<input type="checkbox"/>		CD5	Gold plating
<input checked="" type="checkbox"/>	<b>Connector Class</b>	AST1	with waterproof O-ring (IP67***)	<input checked="" type="checkbox"/>	<b>Shell finish</b>	F7	Black epoxy varnish (*)
		ST1	with waterproof O-ring and grommet (IP67***)			F16	CCF - Black passivation (*) conductive
		AST2	with waterproof O-ring (IP67***)			F26	hard anodization (*)
		ST2	with waterproof O-ring and grommet (IP67***)	<input type="checkbox"/>	<b>Modification Code**</b>	N	Consult our sales office
						S	

\*\*\* Protection degree: IP 67 (only in the mating area with mated connectors) according to EN 60529

P/N Sample: KVBS 08STT 24-10SX LC F7 N

(\*) RoHS compliance (\*\*\*) If required

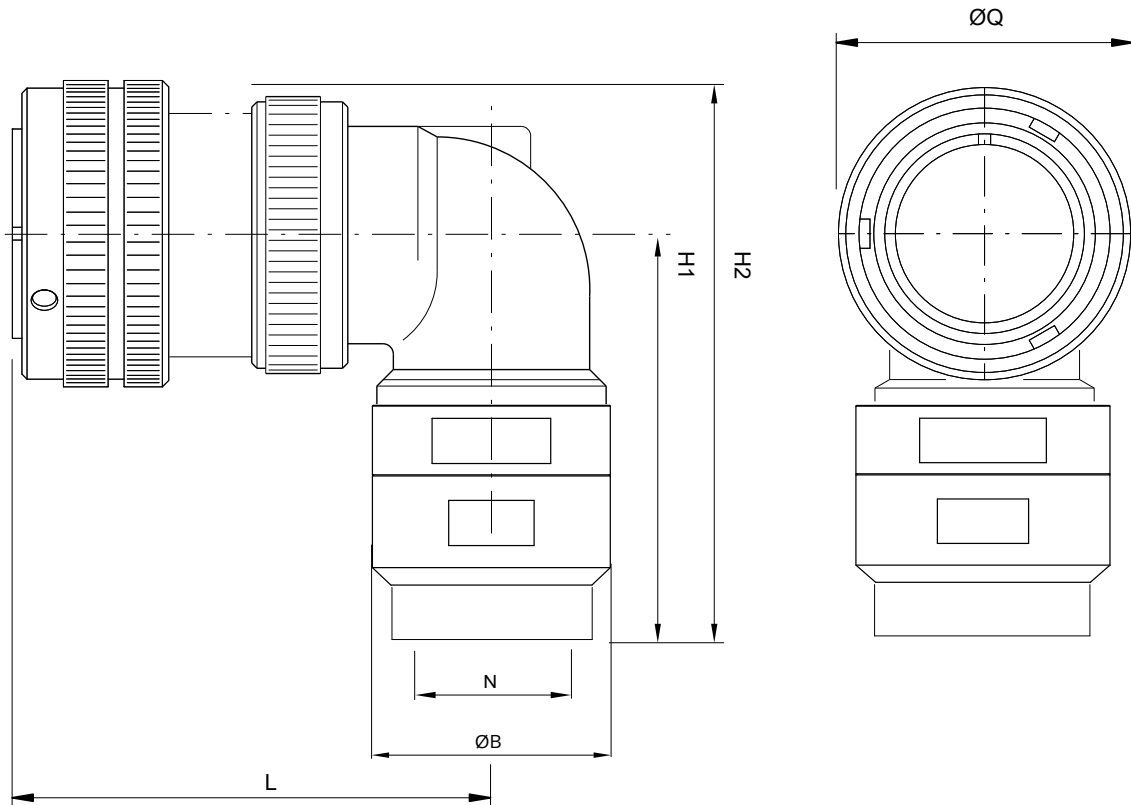
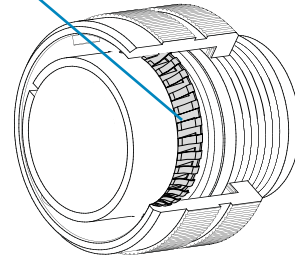
# KVBS - Bayonet Connector with protected mating ramps

## Plug Connector (08/98) with 90° Elbow Class (AST..M - ST..M)

Connector with backshell with internal cable retention system (on request ST1/ST2 with clamps for cable diameter reduction) with an internal Metric thread



Grounding finger for Shell 98



Shell size	ØQ	ØB ±0.2	L	H1	H2	N Backshell Thread Metric	Cable Range		
							ST	ST1	ST2
18	37	30	79	*	*	M16 - M20	14-9	9-4	*
20	41	32	84	*	*	M20	19-14	14-9	*
22	43	38	84	*	*	M25	19-14	14-9	*
24	48	45	84	*	*	M25	23-18	18-13	*
28	53	48	84	*	*	M32	23-18	18-13	*
36	66.2	58	94	*	*	M32 - M40	33-25	25-18	*
40	72.4	65	99	*	*	M40 - M50	39-31	31-24	24-16

Dimensions in mm

\* On request (please consult our Sales Office)

Dimension "L" can be different from the value indicated according to backshells accessories, wires size and some special insert configurations.

# KVBS - Bayonet Connector with protected mating ramps



**Series Code**

**Shell Type**

**Connector Class**

**Backshell internal thread**

**Shell finish**

Grommet (ST - ST1 - ST2 Class only)

Grommet cone (ST - ST1 - ST2 Class only)

Gasket

Backshell

90° Elbow

Gasket

Adapter (AST1 - ST1 - AST2 - ST2 Class only)

Gasket

Metal Adapter

(#) In some sizes the grommet cone is not needed

<input type="checkbox"/>	<b>Insulating material</b>	-	Thermoplastic resin
<input checked="" type="checkbox"/>	<b>Series Code</b>	<b>KVBS</b>	Bayonet Connector with protected mating ramps
<input type="checkbox"/>	<b>Shell Material</b>	-	Aluminum
<input checked="" type="checkbox"/>	<b>Shell Type</b>	<b>08</b>	Plug Connector with 90° elbow without grounding finger
		<b>98</b>	Plug Connector with 90° elbow with grounding finger
		<b>AST</b>	with waterproof O-ring (IP67***)
		<b>ST</b>	with waterproof O-ring and grommet (IP67***)
<input checked="" type="checkbox"/>	<b>Connector Class</b>	<b>ST</b>	with waterproof O-ring (IP67***)
		<b>AST1</b>	with waterproof O-ring and grommet (IP67***)
		<b>ST1</b>	with waterproof O-ring and grommet (IP67***)
		<b>AST2</b>	with waterproof O-ring (IP67***)
		<b>ST2</b>	with waterproof O-ring and grommet (IP67***)
<input type="checkbox"/>	<b>Connector Modification**</b>	<b>T</b>	With plastic caps

<input checked="" type="checkbox"/>	<b>Insert Arrangement</b>	<b>24-10</b>	Page 14
<input type="checkbox"/>	<b>Contact Gender</b>	<b>S</b>	Socket contacts
		<b>P</b>	Pin contacts
<input type="checkbox"/>	<b>Polarization Code**</b>	<b>X</b>	Page 14
<input checked="" type="checkbox"/>	<b>Backshell internal thread</b>	<b>M20</b>	Provided with an internal Metric thread
<input type="checkbox"/>	<b>Contact Termination</b>	<b>LC</b>	Less contacts
<input type="checkbox"/>	<b>Contact Plating</b>	-	Silver plating
		<b>CD5</b>	Gold plating
<input checked="" type="checkbox"/>	<b>Shell finish</b>	<b>F7</b>	Black epoxy varnish (*)
		<b>F16</b>	CCF - Black passivation (*)
		<b>F26</b>	hard anodization (*)
<input type="checkbox"/>	<b>Modification Code**</b>	<b>N</b>	Consult our sales office
		<b>S</b>	

\*\*\* Protection degree: IP 67 (only in the mating area with mated connectors) according to EN 60529

P/N Sample: KVBS 08STT 24-10SX M20 LC F7 N

(\*) RoHS compliance (\*\*\*) If required

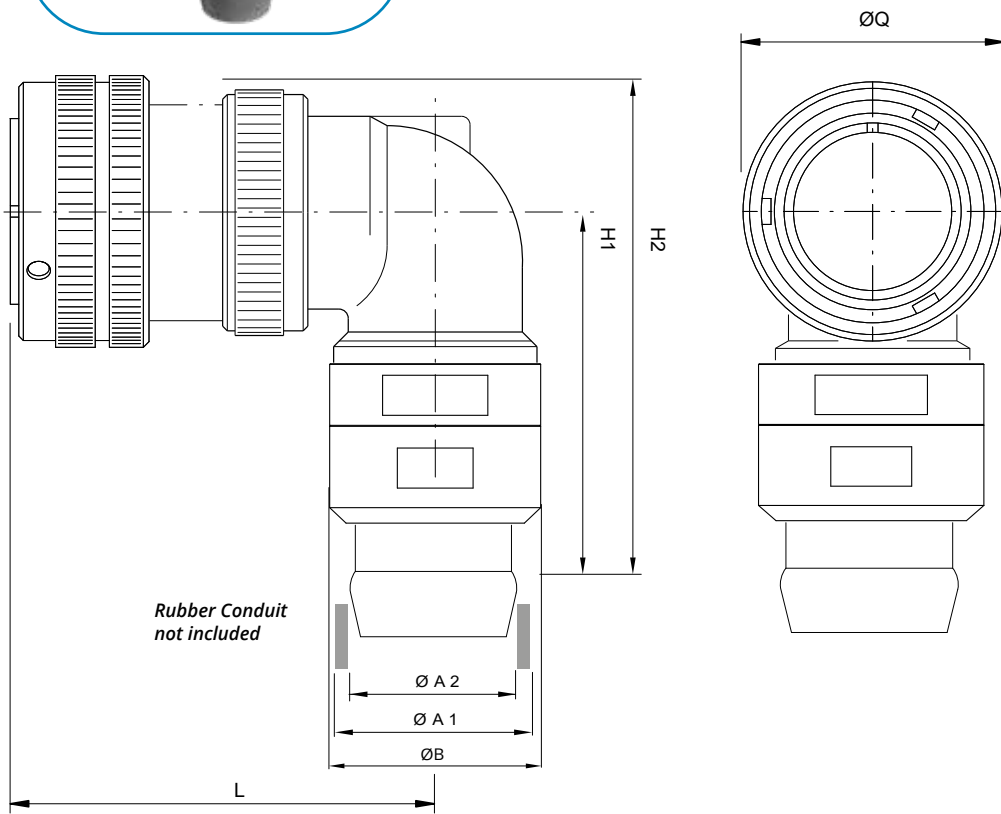
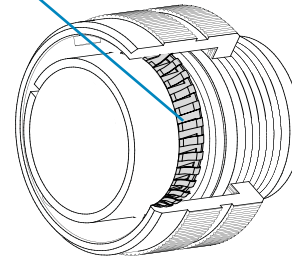
# KVBS - Bayonet Connector with protected mating ramps

## Plug Connector (08/98) with 90° Elbow Class (AST..FS - ST..FS)

Connector with backshell with internal cable retention system (on request ST1/ST2 with clamps for cable diameter reduction) with a special adapter for UNI4883 rubber conduits



Grounding finger for Shell 98



Shell size	ØQ	ØB ±0.2	L	H1	H2	Cable Range			Shell size	Backshell Conduit Size	ØA1	ØA2
						ST	ST1	ST2				
18	37	30	79	*	*	14-9	9-4	*	24-28	FS3328	33	28
20	41	32	84	*	*	19-14	14-9	*	24-28	FS3833	38	33
22	43	38	84	*	*	19-14	14-9	*	36	FS4035	40	35
24	48	45	84	*	*	23-18	18-13	*	40	FS5040	50	40
28	53	48	84	*	*	23-18	18-13	*	36	FS5045	50	45
36	66.2	58	94	*	*	33-25	25-18	*	40	FS5550	55	50
40	72.4	65	99	*	*	39-31	31-24	24-16				

Please consult our Sales Office for further details about this dimension and according to conduit size.

\* On request (please consult our Sales Office)

Dimensions in mm

Dimension "L" can be different from the value indicated according to backshells accessories, wires size and some special insert configurations.

# KVBS - Bayonet Connector with protected mating ramps



**Series Code**

**Shell Type**

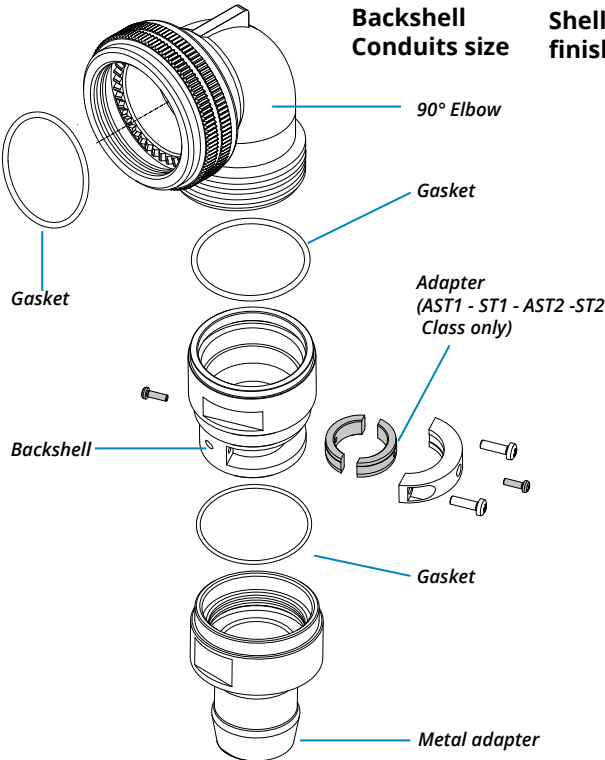
**Connector Class**

**Backshell Conduits size**

**Shell finish**

Grommet (ST - ST1 - ST2 Class only)

Grommet cone (ST - ST1 - ST2 Class only)



<b>Insulating material</b>	-	Thermoplastic resin
----------------------------	---	---------------------

<b>KVBS Series Code</b>	<b>KVBS</b>	Bayonet Connector with protected mating ramps
-------------------------	-------------	---

<b>Shell Material</b>	-	Aluminum
-----------------------	---	----------

<b>08 Shell Type</b>	<b>08</b>	Plug Connector with 90° elbow without grounding finger
	<b>98</b>	Plug Connector with 90° elbow with grounding finger
	<b>AST</b>	with waterproof O-ring (IP67***)
	<b>ST</b>	with waterproof O-ring and grommet (IP67***)

<b>ST Connector Class</b>	<b>AST1</b>	with waterproof O-ring (IP67***)
	<b>ST1</b>	with waterproof O-ring and grommet (IP67***)
	<b>AST2</b>	with waterproof O-ring (IP67***)
	<b>ST2</b>	with waterproof O-ring and grommet (IP67***)

<b>T Connector Modification**</b>	<b>T</b>	With plastic caps
-----------------------------------	----------	-------------------

<b>24-10 Insert Arrangement</b>		Page 14
---------------------------------	--	---------

<b>S Contact Gender</b>	<b>S</b>	Socket contacts
	<b>P</b>	Pin contacts

<b>X Polarization Code**</b>		Page 14
------------------------------	--	---------

<b>FS Backshell Conduits size</b>	<b>FS</b>	Provided with a special adapter for UNI4883 rubber conduits
-----------------------------------	-----------	---

<b>xxxx Conduit Size</b>	<b>xxxx</b>	ØA1ØA2
--------------------------	-------------	--------

<b>LC Contact Termination</b>	<b>LC</b>	Less contacts
-------------------------------	-----------	---------------

<b>- Contact Plating</b>	-	Silver plating
	<b>CD5</b>	Gold plating

<b>F7 Shell finish</b>	<b>F7</b>	Black epoxy varnish (*)
	<b>F16</b>	CCF - Black passivation (*) conductive
	<b>F26</b>	hard anodization (*)

<b>N Modification Code**</b>	<b>N</b>	Consult our sales office
	<b>S</b>	

(#) In some sizes the grommet cone is not needed

\*\*\* Protection degree: IP 67 (only in the mating area with mated connectors) according to EN 60529

**P/N Sample: KVBS 08STT 24-10SX FS5040 LC F7 N**

(\*) RoHS compliance (\*\*\*) If required

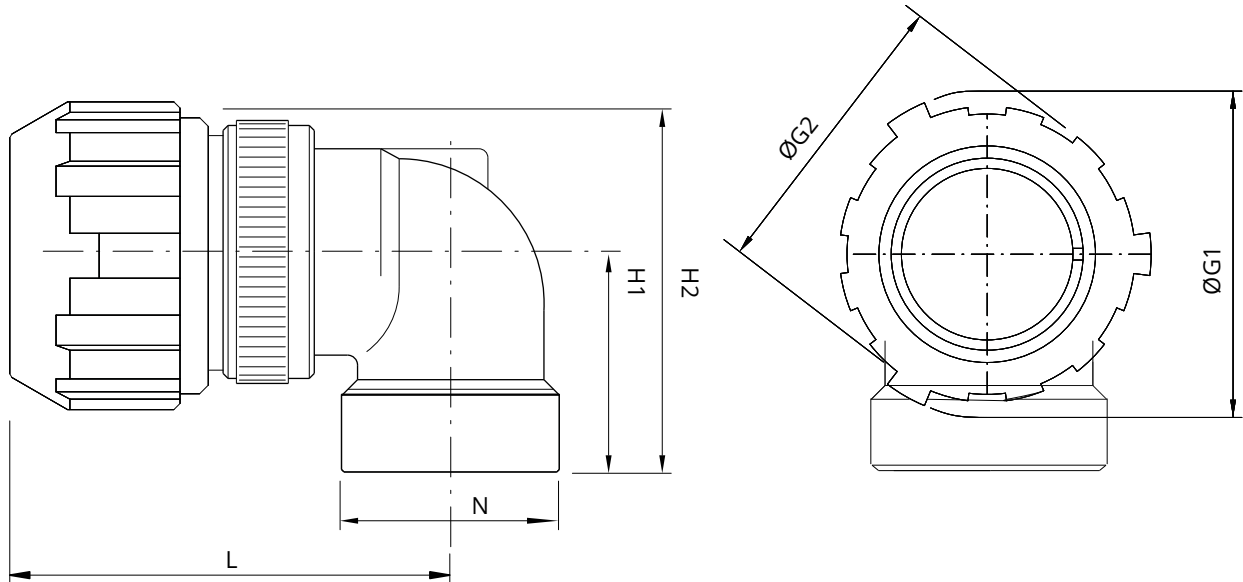
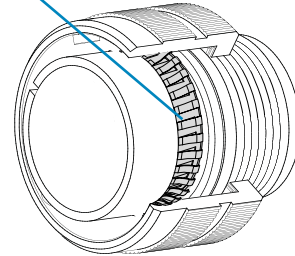
## KVBS - Bayonet Connector with protected mating ramps

### Plug Connector with rubber covered coupling nut (08..GG - 81..GG - 98..GG - 981..GG) with 90° Elbow Class (A - DA - RA)

Connector with 90° elbow provided with an external thread suitable for MS3057...A or C type cable-clamps (to be ordered separately). Rubber covered coupling nut able to protect against dust and impact.



Grounding finger  
for Shell 98/981



Shell size	ØG1	ØG2	L max	H1 max	H2 max	N Backshell Thread in inches
18	49	43.5	79	31	55.5	1"-20 UNEF
20	51.5	46	84	33	58.8	1" 3/16-18 UNEF
22	56	50.5	84	35	63	1" 3/16-18 UNEF
24	60	54	84	38	68	1" 7/16-18 UNEF
28	67	61	84	40	73.5	1" 7/16-18 UNEF
36	82	73.5	94	49	90	2"-18 UNS
40	88	80	99	53	97	2"1/4-16 UN

Dimensions in mm

Dimension "L" can be different from the value indicated according to backshells accessories, wires size and some special insert configurations.



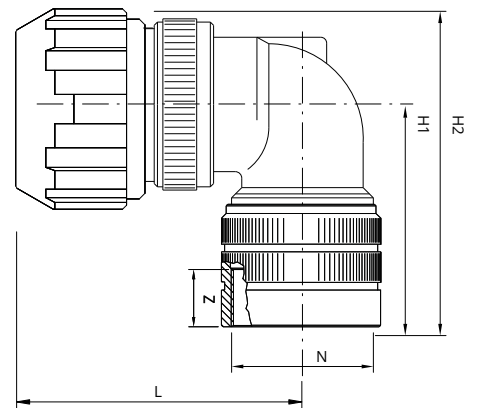
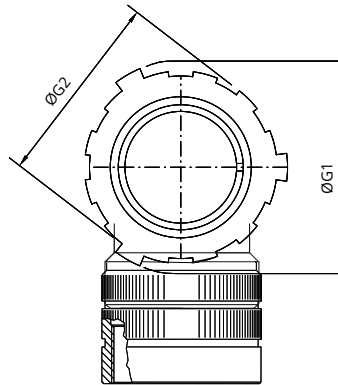
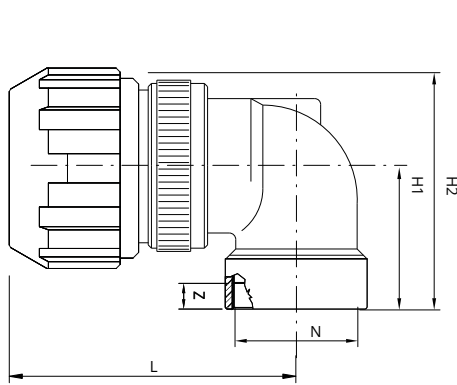
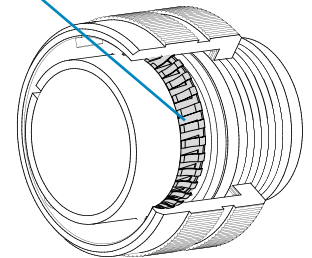
# KVBS - Bayonet Connector with protected mating ramps

## Plug Connector with rubber covered coupling nut (08..GG - 81..GG - 98..GG - 981..GG) with 90° Elbow Class (DA...M - RA...M)

Connector with 90° elbow provided with an internal Metric thread suitable for cable glands or conduit adapters.



Grounding finger for Shell 98/981



Some version can be supplied with internal threading without adaptor.  
Some version can be supplied with adaptor.

Shell size	ØG1	ØG2	L max	Without adapter				With adapter			
				Z min	H1 max	H2 max	N Backshell Thread	Z min	H1 max	H2 max	N Thread
				Metric				Metric			
18	49	43.5	61.5	7.5	31	55.5	M20	12	60	84.5	M25
20	51.5	46	63.5	9	33	58.8	M25	12	62	87.8	M16-M20
22	56	50.5	65.5	7.5	35	63	M25	12	65	93	M32-M40
24	60	54	69	11	38	68	M32	15	69	99	M25-M40
28	67	61	69	10.7	40	73.5	M32	15	72	105.5	M40
36	82	73.5	77.5	13	49	90	-	15	81	122	M32-M40
40	88	80	82.5	12.3	53	97	-	15	85	129	M32-M40-M50

Dimensions in mm

Dimension "L" can be different from the value indicated according to backshells accessories, wires size and some special insert configurations.



# KVBS - Bayonet Connector with protected mating ramps

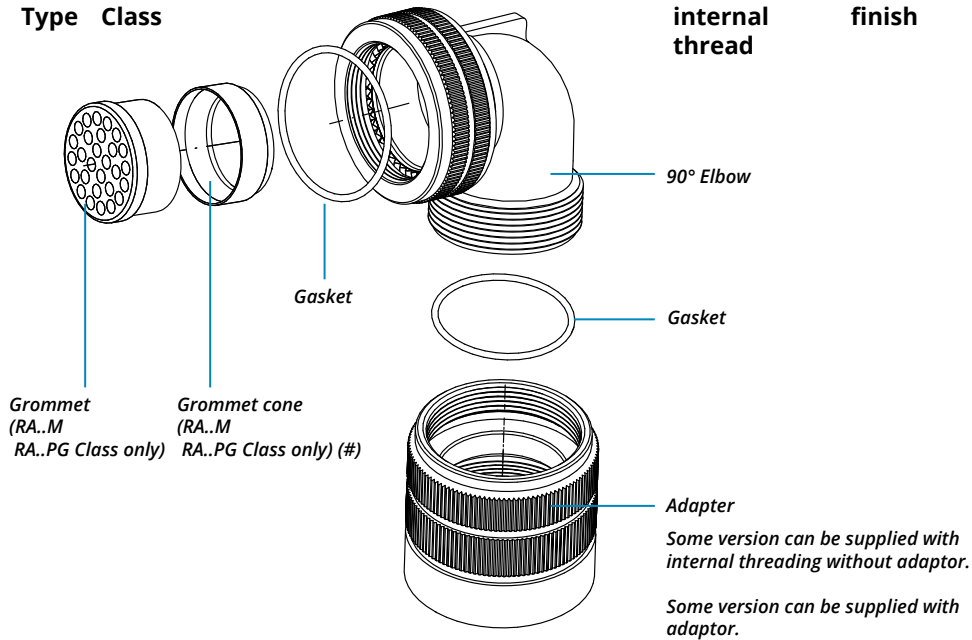


Series Code

Shell Type Connector Class

Backshell internal thread

Shell finish



<input type="checkbox"/>	<b>Insulating material</b>	-	Thermoplastic resin	<input type="checkbox"/>	<b>Connector Modification**</b>	T	With plastic caps
<input checked="" type="checkbox"/>	<b>Series Code</b>	KVBS	Bayonet Connector with protected mating ramps	<input type="checkbox"/>	<b>Insert Arrangement</b>	24-10	Page 14
<input type="checkbox"/>	<b>Shell Material</b>	-	Aluminum	<input type="checkbox"/>	<b>Contact Gender</b>	S	Socket contacts
<input type="checkbox"/>				<input type="checkbox"/>		P	Pin contacts
<input checked="" type="checkbox"/>	<b>Shell Type</b>	08	Plug Connector with 90° elbow without grounding finger	<input type="checkbox"/>	<b>Polarization Code**</b>	X	Page 14
		98	Plug Connector with 90° elbow with grounding finger	<input checked="" type="checkbox"/>	<b>Backshell internal thread</b>	M20	Mxx Provided with an internal Metric thread
		81	Plug Connector with 90° elbow without grounding finger Rubber covered coupling nut (short version)	<input type="checkbox"/>	<b>Contact Termination</b>	LC	LC Less contacts
		981	Plug Connector with 90° elbow Rubber covered coupling nut (short version) with grounding finger	<input type="checkbox"/>	<b>Contact Plating</b>	-	- Silver plating
<input checked="" type="checkbox"/>	<b>Connector Class</b>	DA	with waterproof O-ring (IP67***)	<input type="checkbox"/>		CD5	CD5 Gold plating
		RA	with waterproof O-ring and grommet (IP67***)#	<input checked="" type="checkbox"/>	<b>Shell finish</b>	F7	F7 Black epoxy varnish (*)
<input checked="" type="checkbox"/>	<b>Coupling Nut Type</b>	GG	Rubber Covered	<input type="checkbox"/>		F16	F16 CCF - Black passivation (*) - conductive
				<input type="checkbox"/>		F26	F26 hard anodization (*)
				<input type="checkbox"/>	<b>Modification Code**</b>	N	N Consult our sales office
						S	S Consult our sales office

\*\*\* Protection degree: IP 67 (only in the mating area with mated connectors) according to EN 60529 (\*) RoHS compliance (\*\*) If required

P/N Sample: KVBS 08DAGGT 24-10SX M20 LC F7 N

(#) In some sizes the grommet cone is not needed

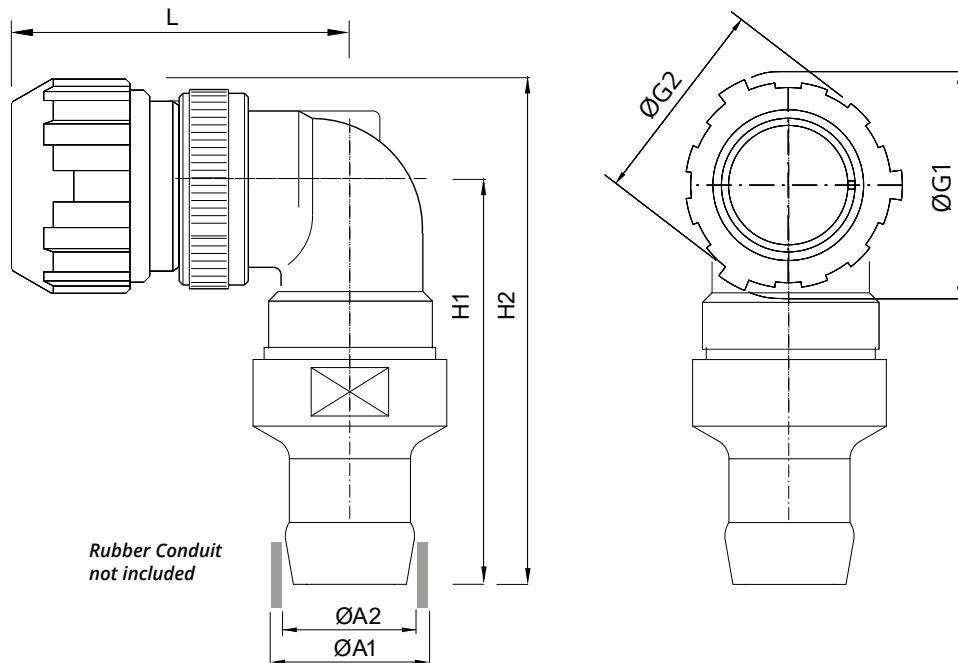
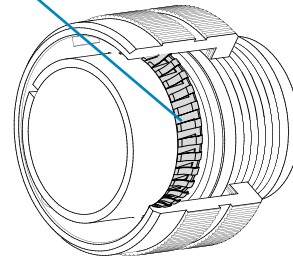
# KVBS - Bayonet Connector with protected mating ramps

## Plug Connector with rubber covered coupling nut (08..GG - 81..GG - 98..GG - 981..GG) with 90° Elbow Class (DA..FS - RA..FS)

Connector with special adapter for UNI4883 rubber conduits.  
 Conduit's size must be specified adding the diameter dimensions in the P/N (i.e.: KVBS 08DA...FS5040...).  
 Rubber covered coupling nut able to protect against dust and impact.



Grounding finger  
for Shell 98/981



Please consult our Sales Office for further details about this dimension and according to conduit size.

Shell size	ØG1	ØG2	L max	H1	H2
18	49	43.5	68	85	109.5
20	51.5	46	71	85	110.8
22	56	50.5	71	85	113
24	60	54	76	85	115
28	67	61	76	85	118.5
36	82	73.5	84	90	131
40	88	80	88	95	139

Shell size	Backshell Conduit Size	ØA1	ØA2
16-18-20	FS2015	20	15
20-22-24-28	FS2520	25	20
18-20-22-24	FS2722	27	22
20-22-24-28	FS3328	33	28
24-28	FS3530	35	30
28-36	FS4035	40	35
28-40	FS4540	45	40
40	FS5040	50	40
36-40	FS5045	50	45
40	FS5550	55	50
40	FS5945	59	45

Dimensions in mm

Dimension "L" can be different from the value indicated according to backshells accessories, wires size and some special insert configurations.

# KVBS - Bayonet Connector with protected mating ramps



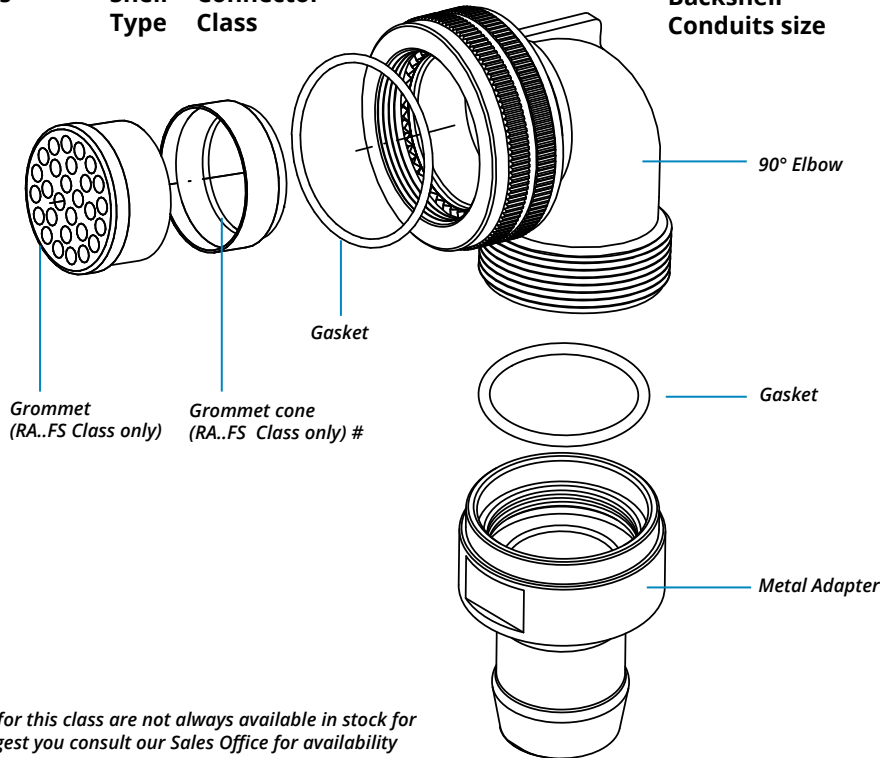
**Series Code**

**Shell Type**

**Connector Class**

**Backshell Conduits size**

**Shell finish**



The accessories for this class are not always available in stock for all sizes; we suggest you consult our Sales Office for availability

<input type="checkbox"/>	<b>Insulating material</b>	-	Thermoplastic resin	<input type="checkbox"/>	<b>24-10 Insert Arrangement</b>		Page 14
<input checked="" type="checkbox"/>	<b>Series Code</b>	<b>KVBS</b>	Bayonet Connector with protected mating ramps	<input type="checkbox"/>	<b>S Contact Gender</b>	<b>S</b>	Socket contacts
						<b>P</b>	Pin contacts
<input type="checkbox"/>	<b>Shell Material</b>	-	Aluminum	<input type="checkbox"/>	<b>X Polarization Code**</b>		Page 14
<input checked="" type="checkbox"/>	<b>Shell Type</b>	<b>08</b>	Plug Connector with 90° elbow without grounding finger	<input checked="" type="checkbox"/>	<b>FS Backshell Conduits size</b>	<b>FS</b>	Provided with a special adapter for UNI4883 rubber conduits
		<b>98</b>	Plug Connector with 90° elbow with grounding finger	<input checked="" type="checkbox"/>	<b>xxxx Conduit Size</b>	<b>xxxx</b>	ØA1ØA2
		<b>81</b>	Plug Connector with 90° elbow without grounding finger Rubber covered coupling nut (short version)	<input type="checkbox"/>	<b>LC Contact Termination</b>	<b>LC</b>	Less contacts
		<b>981</b>	Plug Connector with 90° elbow Rubber covered coupling nut (short version) with grounding finger	<input type="checkbox"/>	<b>- Contact Plating</b>	-	Silver plating
<input checked="" type="checkbox"/>	<b>Connector Class</b>	<b>DA</b>	with waterproof O-ring (IP67***)	<input type="checkbox"/>	<b>F7 Shell finish</b>	<b>F7</b>	Black epoxy varnish (*)
		<b>RA</b>	with waterproof O-ring and grommet (IP67***) #			<b>F16</b>	CCF - Black passivation (*) conductive
<input type="checkbox"/>	<b>Connector Modification**</b>	<b>T</b>	With plastic caps			<b>F26</b>	hard anodization (*)
				<input type="checkbox"/>	<b>N Modification Code**</b>	<b>N</b>	Consult our sales office
						<b>S</b>	Consult our sales office

\*\*\* Protection degree: IP 67 (only in the mating area with mated connectors) according to EN 60529 (\*) RoHS compliance (\*\*) If required

**P/N Sample: KVBS 08DAT 24-10SX FS2015 LC F7 N**

(#) In some sizes the grommet cone is not needed

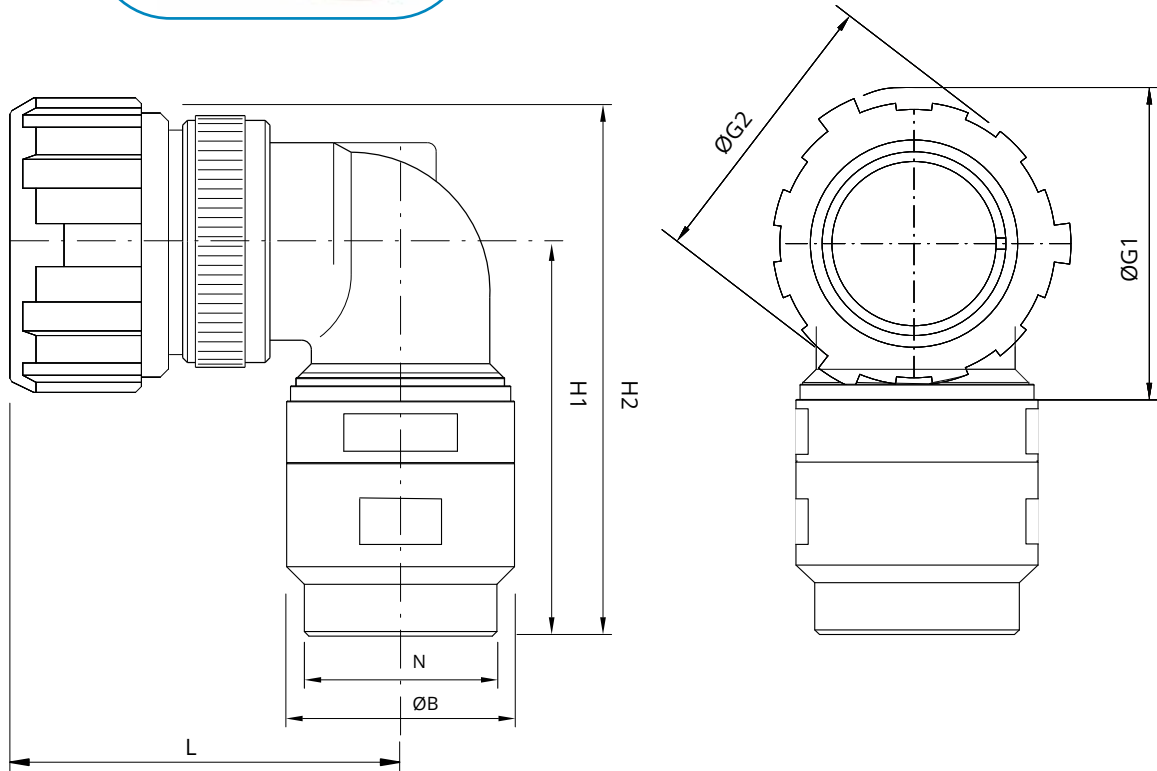
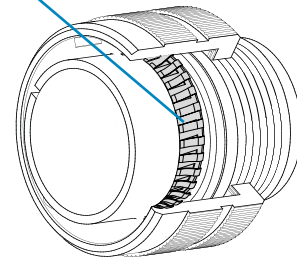
# KVBS - Bayonet Connector with protected mating ramps

## Plug Connector with rubber covered coupling nut (08..GG - 81..GG - 98..GG - 981..GG) with 90° Elbow Class (AST - ST)

Connector with backshell with internal cable retention system (on request ST1/ST2 with clamps for cable diameter reduction) with an external unef thread. Rubber covered coupling nut able to protect against dust and impact.



Grounding finger for Shell 98/981



Shell size	ØG1	ØG1	ØB ±0.2	L	H1	H2	N Backshell Thread in inches	Cable Range		
								ST	ST1	ST2
18	49	43.5	30	79	*	*	1"-20 UNEF	14-9	9-4	*
20	51.5	46	32	84	*	*	1" 3/16-18 UNEF	19-14	14-9	*
22	56	50.5	38	84	*	*	1" 3/16-18 UNEF	19-14	14-9	*
24	60	54	45	84	*	*	1" 7/16-18 UNEF	23-18	18-13	*
28	67	61	48	84	*	*	1" 7/16-18 UNEF	23-18	18-13	*
36	82	73.5	58	94	*	*	2"-18 UNS	33-25	25-18	*
40	88	80	65	99	*	*	2" 1/4-16 UN	39-31	31-24	24-16

Dimensions in mm

\* On request (please consult our Sales Office)

Dimension "L" can be different from the value indicated according to backshells accessories, wires size and some special insert configurations.

# KVBS - Bayonet Connector with protected mating ramps



Series Code

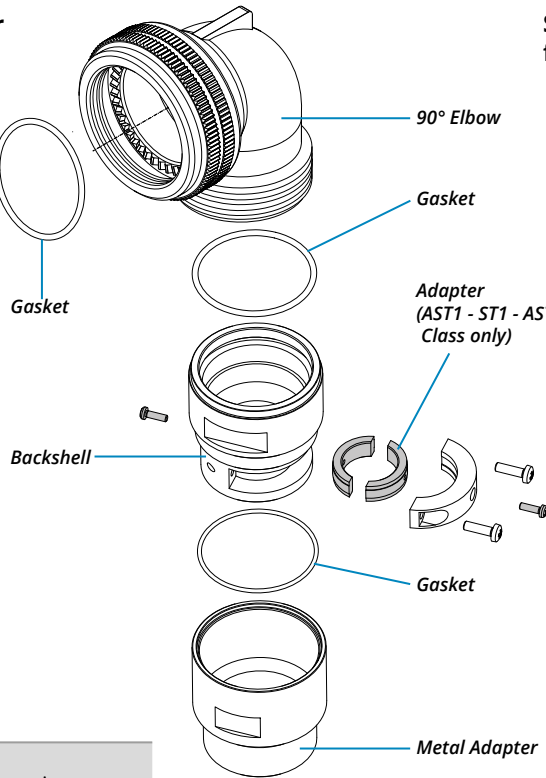
Shell Type

Connector Class

Shell finish

Grommet (ST - ST1 - ST2 Class only)

Grommet cone (ST - ST1 - ST2 Class only)



<input type="checkbox"/>	<b>Insulating material</b>	-	Thermoplastic resin
<input checked="" type="checkbox"/>	<b>Series Code</b>	<b>KVBS</b>	Bayonet Connector with protected mating ramps
<input type="checkbox"/>	<b>Shell Material</b>	-	Aluminum
<input checked="" type="checkbox"/>	<b>Shell Type</b>	<b>08</b>	Plug Connector with 90° elbow without grounding finger
		<b>98</b>	Plug Connector with 90° elbow with grounding finger
		<b>81</b>	Plug Connector with 90° elbow without grounding finger Rubber covered coupling nut (short version)
		<b>981</b>	Plug Connector with 90° elbow Rubber covered coupling nut (short version) with grounding finger
		<b>AST</b>	Plug Connector with 90° elbow with waterproof O-ring (IP67***)
<input checked="" type="checkbox"/>	<b>Connector Class</b>	<b>ST</b>	with waterproof O-ring and grommet (IP67***)
		<b>AST1</b>	with waterproof O-ring (IP67***)
		<b>ST1</b>	with waterproof O-ring and grommet (IP67***)
		<b>AST2</b>	with waterproof O-ring (IP67***)
		<b>ST2</b>	with waterproof O-ring and grommet (IP67***)

<input type="checkbox"/>	<b>Connector Modification**</b>	<b>T</b>	With plastic caps
<input checked="" type="checkbox"/>	<b>Coupling Nut Type</b>	<b>GG</b>	Rubber Covered
<input type="checkbox"/>	<b>Insert Arrangement</b>	<b>24-10</b>	Page 14
<input type="checkbox"/>	<b>Contact Gender</b>	<b>S</b>	Socket contacts
<input type="checkbox"/>	<b>Polarization Code**</b>	<b>X</b>	Page 14
<input type="checkbox"/>	<b>Contact Termination</b>	<b>LC</b>	Less contacts
<input type="checkbox"/>	<b>Contact Plating</b>	-	Silver plating
<input checked="" type="checkbox"/>		<b>F7</b>	Black epoxy varnish (*)
<input type="checkbox"/>		<b>F16</b>	CCF - Black passivation (*)
<input type="checkbox"/>	<b>Shell finish</b>	<b>F7</b>	Black epoxy varnish (*)
<input type="checkbox"/>		<b>F16</b>	CCF - Black passivation (*)
<input type="checkbox"/>	<b>Modification Code**</b>	<b>N</b>	Consult our sales office
<input type="checkbox"/>		<b>S</b>	Consult our sales office

\*\*\* Protection degree: IP 67 (only in the mating area with mated connectors) according to EN 60529

(#) In some sizes the grommet cone is not needed

P/N Sample: KVBS 08STGGT 24-10SX LC F7 N

(\*) RoHS compliance (\*\*\*) If required

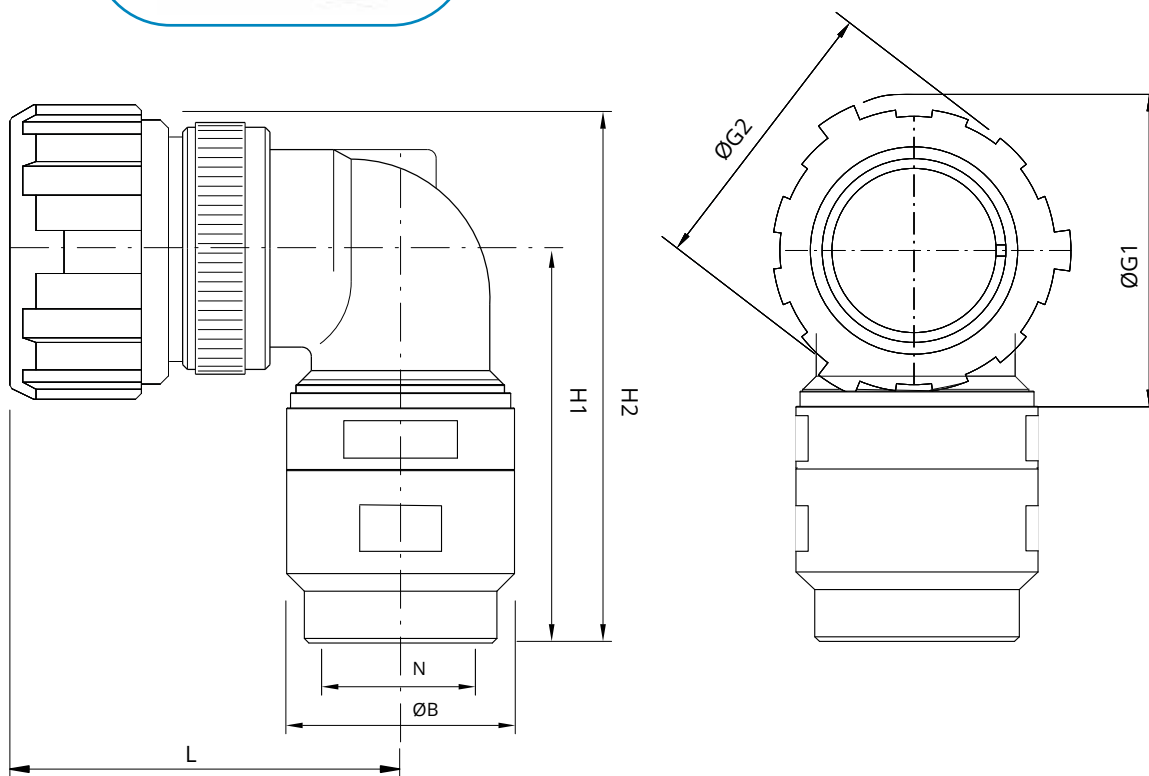
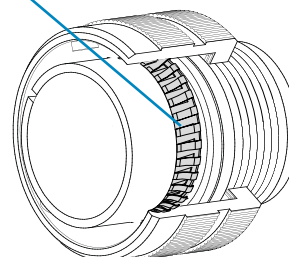
# KVBS - Bayonet Connector with protected mating ramps

## Plug Connector with rubber covered coupling nut (08..GG - 81..GG - 98..GG - 981..GG) with 90° Elbow Class (AST..M - ST..M)

Connector with backshell with internal cable retention system (on request ST1/ST2 with clamps for cable diameter reduction) with an internal Metric thread. Rubber covered coupling nut able to protect against dust and impact.



Grounding finger for Shell 98/981



Shell size	ØG1	ØG1	ØB ±0.2	L	H1	H2	N Backshell Thread Metric	Cable Range		
								ST	ST1	ST2
18	49	43.5	30	79	*	*	M16 - M20	14-9	9-4	*
20	51.5	46	32	84	*	*	M20	19-14	14-9	*
22	56	50.5	38	84	*	*	M25	19-14	14-9	*
24	60	54	45	84	*	*	M25	23-18	18-13	*
28	67	61	48	84	*	*	M32	23-18	18-13	*
36	82	73.5	58	94	*	*	M32 - M40	33-25	25-18	*
40	88	80	65	99	*	*	M40 - M50	39-31	31-24	24-16

Dimensions in mm

\* On request (please consult our Sales Office)

Dimension "L" can be different from the value indicated according to backshells accessories, wires size and some special insert configurations.

# KVBS - Bayonet Connector with protected mating ramps



Series Code

Shell Type

Connector Class

Backshell internal thread

Shell finish

Grommet (ST - ST1 - ST2 Class only)

Grommet cone (ST - ST1 - ST2 Class only)

Gasket

90° Elbow

Adapter (AST1 - ST1 - AST2 - ST2 Class only)

Backshell

Gasket

Metal Adapter

(#) In some sizes the grommet cone is not needed

<input type="checkbox"/>	<b>Insulating material</b>	-	Thermoplastic resin
<input checked="" type="checkbox"/>	<b>Series Code</b>	<b>KVBS</b>	Bayonet Connector with protected mating ramps
<input type="checkbox"/>	<b>Shell Material</b>	-	Aluminum
<input checked="" type="checkbox"/>	<b>Shell Type</b>	<b>08</b>	Plug Connector with 90° elbow without grounding finger
		<b>98</b>	Plug Connector with 90° elbow with grounding finger
		<b>81</b>	Plug Connector with 90° elbow without grounding finger Rubber covered coupling nut (short version)
		<b>981</b>	Plug Connector with 90° elbow Rubber covered coupling nut (short version) with grounding finger
		<b>AST</b>	with waterproof O-ring (IP67***)
<input checked="" type="checkbox"/>	<b>Connector Class</b>	<b>ST</b>	with waterproof O-ring and grommet (IP67***)
		<b>AST1</b>	with waterproof O-ring (IP67***)
		<b>ST1</b>	with waterproof O-ring and grommet (IP67***)
		<b>AST2</b>	with waterproof O-ring (IP67***)
		<b>ST2</b>	with waterproof O-ring and grommet (IP67***)

\*\*\* Protection degree: IP 67 (only in the mating area with mated connectors) according to EN 60529

<input type="checkbox"/>	<b>Connector Modification**</b>	<b>T</b>	With plastic caps
<input checked="" type="checkbox"/>	<b>Coupling Nut Type</b>	<b>GG</b>	Rubber Covered
<input type="checkbox"/>	<b>Insert Arrangement</b>		Page 14
<input type="checkbox"/>	<b>Contact Gender</b>	<b>S</b>	Socket contacts
		<b>P</b>	Pin contacts
<input type="checkbox"/>	<b>Polarization Code**</b>	<b>X</b>	Page 14
<input checked="" type="checkbox"/>	<b>Backshell internal thread</b>	<b>Mxx</b>	Provided with an internal Metric thread
<input type="checkbox"/>	<b>Contact Termination</b>	<b>LC</b>	Less contacts
<input type="checkbox"/>	<b>Contact Plating</b>	-	Silver plating
		<b>CD5</b>	Gold plating
<input checked="" type="checkbox"/>	<b>Shell finish</b>	<b>F7</b>	Black epoxy varnish (*)
		<b>F16</b>	CCF - Black passivation (*)
		<b>F26</b>	hard anodization (*)
<input type="checkbox"/>	<b>Modification Code**</b>	<b>N</b>	Consult our sales office
		<b>S</b>	

P/N Sample: KVBS 08STGGT 24-10SX M20 LC F7 N

(\*) RoHS compliance (\*\*\*) If required



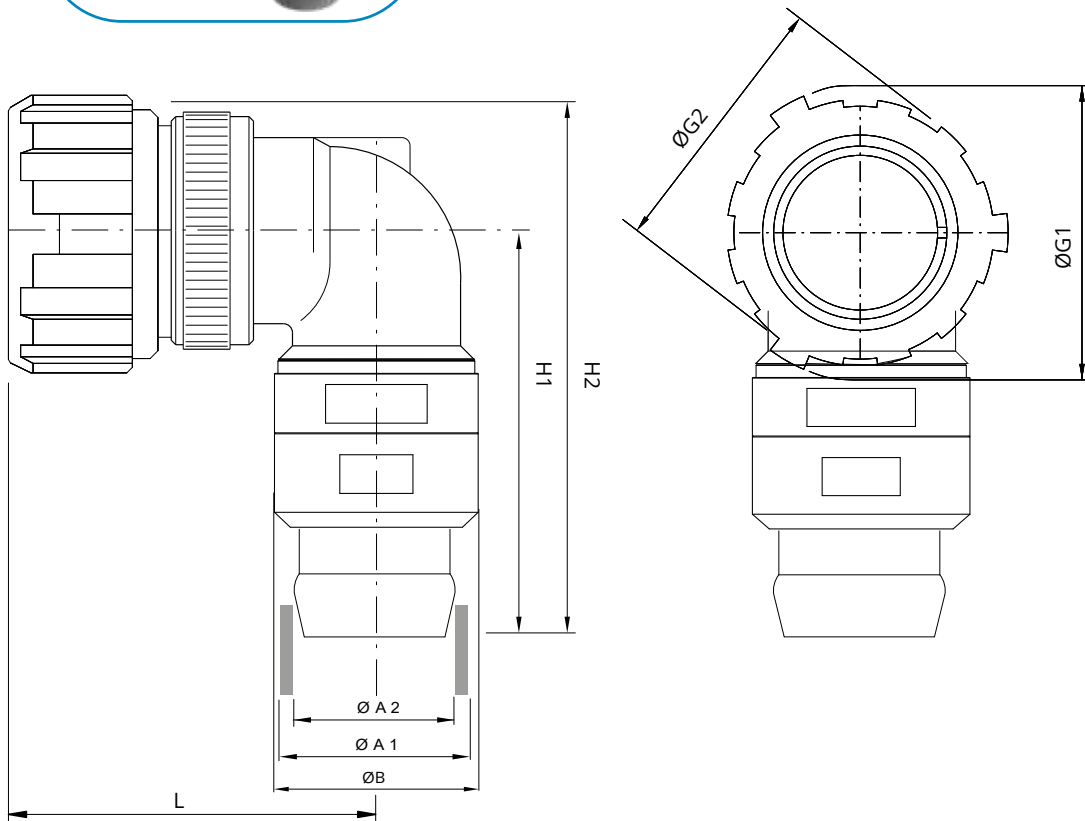
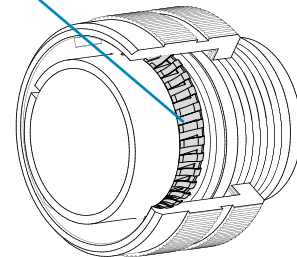
# KVBS - Bayonet Connector with protected mating ramps

## Plug Connector with rubber covered coupling nut (08..GG - 81..GG - 98..GG - 981..GG) with 90° Elbow Class (AST..FS - ST..FS)

Connector with backshell with internal cable retention system (on request ST1/ST2 with clamps for cable diameter reduction) with a special adapter for UNI4883 rubber conduits. Rubber covered coupling nut able to protect against dust and impact.



Grounding finger for Shell 98/981



Shell size	ØG1	ØG1	ØB ±0.2	L	H1	H2	Cable Range		
							ST	ST1	ST2
18	49	43.5	30	79	*	*	14-9	9-4	*
20	51.5	46	32	84	*	*	19-14	14-9	*
22	56	50.5	38	84	*	*	19-14	14-9	*
24	60	54	45	84	*	*	23-18	18-13	*
28	67	61	48	84	*	*	23-18	18-13	*
36	82	73.5	58	94	*	*	33-25	25-18	*
40	88	80	65	99	*	*	39-31	31-24	24-16

Shell size	Backshell Conduit Size	ØA1	ØA2
24-28	FS3328	33	28
24-28	FS3833	38	33
36	FS4035	40	35
40	FS5040	50	40
36	FS5045	50	45
40	FS5550	55	50

Please consult our Sales Office for further details about this dimension and according to conduit size.

\* On request (please consult our Sales Office)

Dimensions in mm

Dimension "L" can be different from the value indicated according to backshells accessories, wires size and some special insert configurations.



# KVBS - Bayonet Connector with protected mating ramps



Series Code

Shell Type

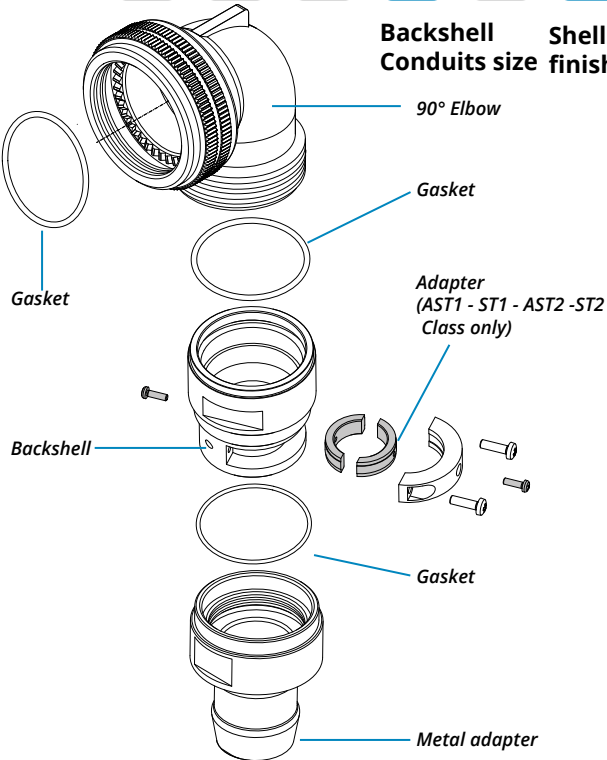
Connector Class

Backshell Conduits size

Shell finish

Grommet (ST - ST1 - ST2 Class only)

Grommet cone (ST - ST1 - ST2 Class only)



<input type="checkbox"/>	<b>Insulating material</b>	-	Thermoplastic resin	<input checked="" type="checkbox"/>	<b>Coupling Nut Type</b>	GG	Rubber Covered
<input checked="" type="checkbox"/>	<b>Series Code</b>	KVBS	Bayonet Connector with protected mating ramps	<input checked="" type="checkbox"/>	<b>Insert Arrangement</b>	24-10	Page 14
<input type="checkbox"/>	<b>Shell Material</b>	-	Aluminum	<input type="checkbox"/>	<b>Contact Gender</b>	S	Socket contacts
<input type="checkbox"/>				<input type="checkbox"/>		P	Pin contacts
<input checked="" type="checkbox"/>	<b>Shell Type</b>	08	Plug Connector with 90° elbow without grounding finger	<input type="checkbox"/>	<b>Polarization Code**</b>	X	Page 14
		98	Plug Connector with 90° elbow with grounding finger	<input checked="" type="checkbox"/>	<b>Backshell Conduits size</b>	FS	Provided with a special adapter for UNI4883 rubber conduits
		81	Plug Connector with 90° elbow without grounding finger Rubber covered coupling nut (short version)	<input checked="" type="checkbox"/>	<b>Conduit Size</b>	xxxx	ØA1ØA2
		981	Plug Connector with 90° elbow Rubber covered coupling nut (short version) with grounding finger	<input type="checkbox"/>	<b>Contact Termination</b>	LC	Less contacts
<input type="checkbox"/>	<b>Connector Class</b>	AST	with waterproof O-ring (IP67***)	<input type="checkbox"/>	<b>Contact Plating</b>	-	Silver plating
<input checked="" type="checkbox"/>		ST	with waterproof O-ring and grommet (IP67***)	<input checked="" type="checkbox"/>	<b>Shell finish</b>	F7	Black epoxy varnish (*)
		AST1	with waterproof O-ring (IP67***)			F16	CCF - Black passivation (*)
		ST1	with waterproof O-ring and grommet (IP67***)			F26	hard anodization (*)
		AST2	with waterproof O-ring (IP67***)	<input type="checkbox"/>	<b>Modification Code**</b>	N	Consult our sales office
		ST2	with waterproof O-ring and grommet (IP67***)			S	
<input type="checkbox"/>	<b>Connector Modification**</b>	T	With plastic caps				

(#) In some sizes the grommet cone is not needed

\*\*\* Protection degree: IP 67 (only in the mating area with mated connectors) according to EN 60529

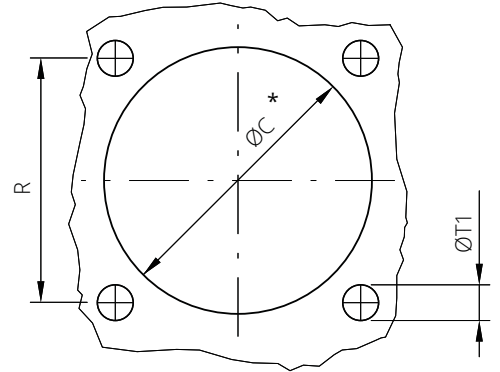
P/N Sample: KVBS 08STGGT 24-10SX FS5040 LC F7 N

(\*) RoHS compliance (\*\*\*) If required

# KVBSG - Bayonet Connector with external insulated coating

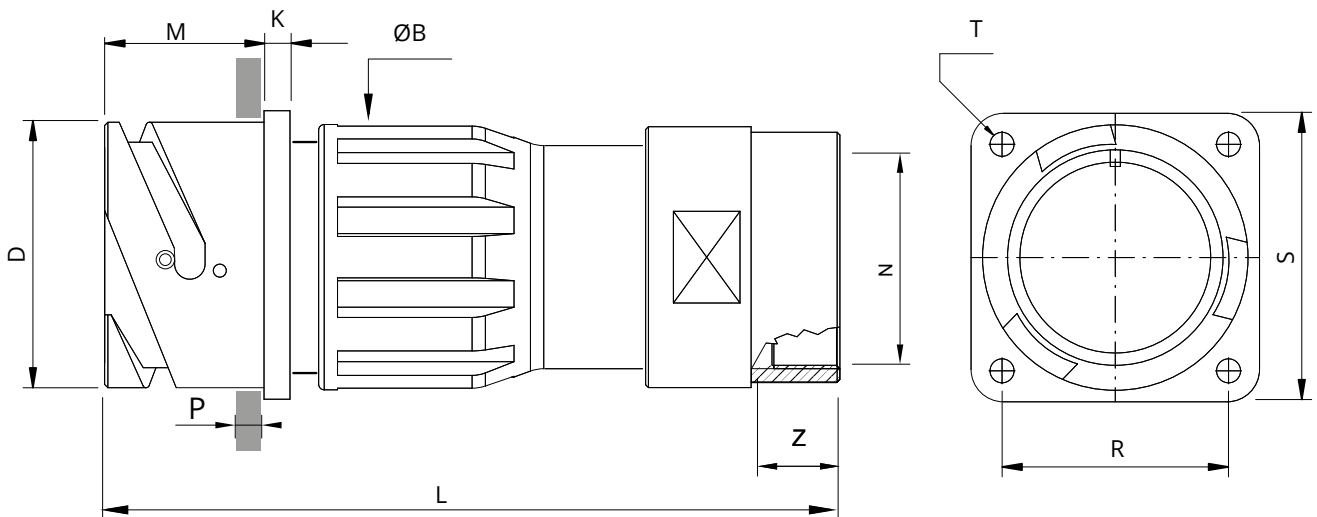
## Rear Mounting Receptacle (030) with Backshell Class (DA...M - RA...M)

Connector with backshell provided with an internal Metric thread suitable for cable glands or conduit adapters.



Panel cut out

\* For installation with backshell mounted, consult our sales office.



Shell size	ØD +0 -0.15	L max	M ±0.2	K ±0.2	Z min	N Backshell Thread Metric	R ±0.1	S ±0.3	ØT	ØT1	P Panel Thickness Max **	ØC* ±0.2
18	30.8	103	23.4	4	12	M20	27	34.9	M4	4.5	7.25	31.7
20	34.2	120	23.4	4	15	M25	29.4	38.1	M4	4.5	7.3	35
22	37.4	120	23.4	4	15	M25	31.8	41	M4	4.5	7.3	38.3
24	40.9	139	23.4	4	16	M32	34.9	44.5	M4	4.5	6.85	41.8
28	46.7	140	24.4	4	16	M32	39.7	50.8	M5	5.5	7.8	47.6
36	59.6	151	24.4	4	***	M40	49.2	63.5	M5	5.5	7.5	60.5
40	65.5	154	24.4	4	***	M50	55.6	69.8	M5	5.5	7.5	66.4

\*\* For use with no rubber covered nut

For use with shell type GG coupling nut rubber covered (or shell type 61 or 81), please consult our sales office.

Dimensions in mm

\*\*\* On request (please consult our Sales Office)

Dimension "L" can be different from the value indicated according to backshells accessories, wires size and some special insert configurations.

# KVBSG - Bayonet Connector with external insulated coating



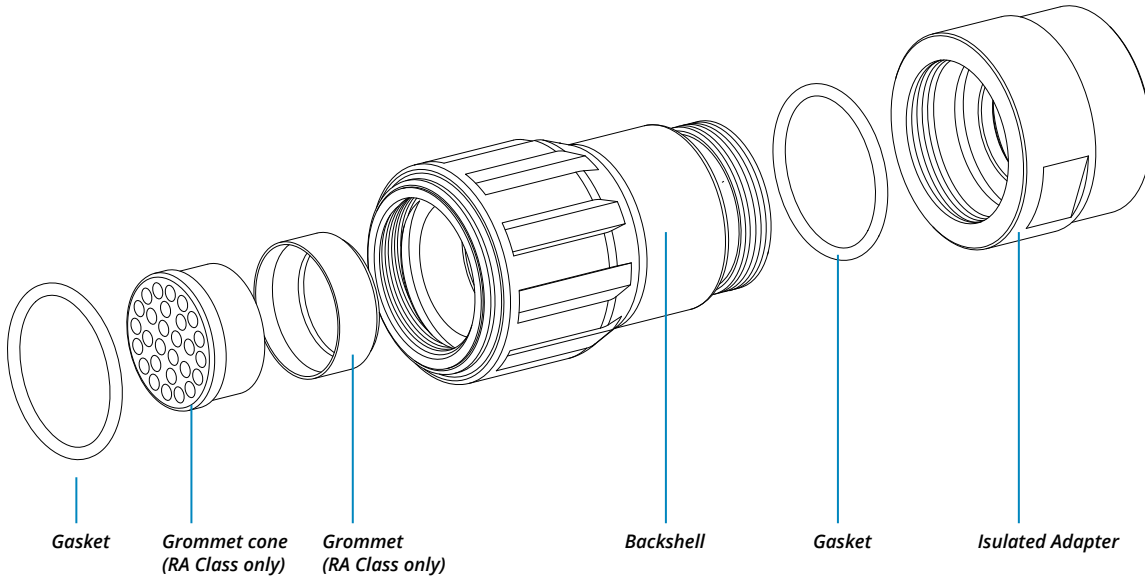
**Series Code**

**Shell Type**

**Connector Class**

**Backshell internal thread**

**Shell finish**



The accessories for this class are not always available in stock for all sizes; we suggest you consult our Sales Office for availability

<input type="checkbox"/>	<b>Insulating material</b>	-	Thermoplastic resin	<input checked="" type="checkbox"/>	<b>Polarization Code**</b>		Page 14
<input checked="" type="checkbox"/>	<b>Series Code</b>	<b>KVBSG</b>	Bayonet Connector with external insulated coating	<input checked="" type="checkbox"/>	<b>Backshell internal thread</b>	<b>Mxx</b>	Provided with an internal Metric thread
<input type="checkbox"/>	<b>Shell Material</b>	-	Aluminum	<input type="checkbox"/>	<b>Contact Termination</b>	<b>LC</b>	Less contacts
<input checked="" type="checkbox"/>	<b>Shell Type</b>	<b>030</b>	Rear mounting Receptacle	<input type="checkbox"/>	<b>Contact Plating</b>	-	Silver plating
<input checked="" type="checkbox"/>	<b>Connector Class</b>	<b>DA</b>	with waterproof O-ring (IP67***)	<input checked="" type="checkbox"/>	<b>Shell finish</b>	<b>F7</b>	Black epoxy varnish (*)
		<b>RA</b>	with waterproof O-ring and grommet (IP67***)			<b>F16</b>	CCF - Black passivation (*) - conductive
		<b>T</b>	With plastic caps			<b>F26</b>	hard anodization (*)
<input type="checkbox"/>	<b>Connector Modification**</b>	-	Receptacle connector with threaded holes	<input type="checkbox"/>	<b>Panel Gasket</b>	<b>G</b>	With waterproof panel gasket
		<b>FP</b>	Receptacle connector with through holes			<b>G3</b>	With waterproof shielded panel gasket
<input type="checkbox"/>	<b>Insert Arrangement</b>		Page 14	<input type="checkbox"/>	<b>Modification Code**</b>	<b>N</b>	Consult our sales office
		<b>S</b>	Socket contacts			<b>S</b>	
		<b>P</b>	Pin contacts				

\*\*\* Protection degree: IP 67 (only in the mating area with mated connectors) according to EN 60529 (\*) RoHS compliance (\*\*\*) If required

P/N Sample: KVBSG 030DAT 24-10SX M20 LC F7 G N

# KVBSG - Bayonet Connector with external insulated coating

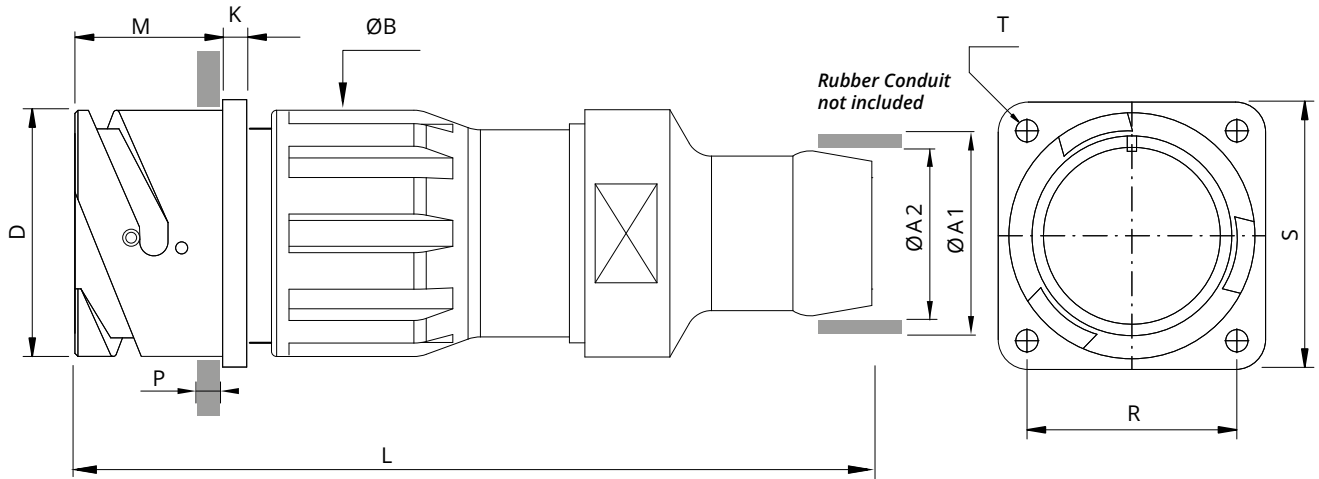
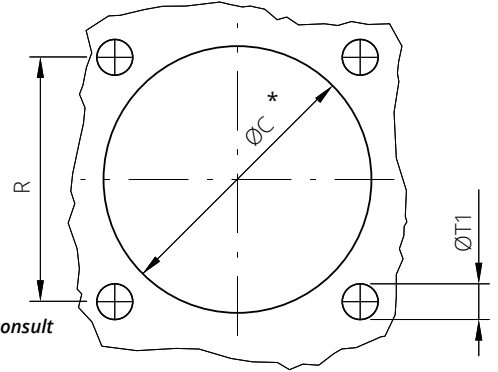
## Rear Mounting Receptacle (030) with Backshell Class (DA...FS - RA...FS)

Connector with special adapter for UNI4883 rubber conduits.  
 Conduit's size must be specified adding the diameter dimensions in the P/N (i.e.: KVBSG 030DA...FS5040...).  
 Rubber covered coupling nut able to protect against dust and impact.



Panel cut out

\* For installation with backshell mounted, consult our sales office.



Shell size	ØD	L	M	K	R	S	ØT	ØT1	P **	ØC*	Shell size	Backshell	Conduit Size	ØA1	ØA2
	+0 -0.15	max	±0.2	±0.2	±0.1	±0.3			Panel Thickness Max	±0.2					
18	30.8	***	23.4	4	27	34.9	M4	4.5	7.25	31.7	28	FS2520		25	20
20	34.2	***	23.4	4	29.4	38.1	M4	4.5	7.3	35	20-22	FS2722		27	22
22	37.4	***	23.4	4	31.8	41	M4	4.5	7.3	38.3	20-22-24-28	FS3328		33	28
24	40.9	***	23.4	4	34.9	44.5	M4	4.5	6.85	41.8	20-22	FS2924		29	24
28	46.7	***	24.4	4	39.7	50.8	M5	5.5	7.8	47.6	36	FS3530		35	30
36	59.6	***	24.4	4	49.2	63.5	M5	5.5	7.5	60.5	24-28-36	FS3833		38	33
40	65.5	***	24.4	4	55.6	69.8	M5	5.5	7.5	66.4	24-28	FS4030		40	30
											24-28-36	FS4035		40	35
											40	FS4540		45	40
											40	FS5040		50	40
											40	FS5045		50	45
											36	FS5247		52	47
											36-40	FS5550		55	50

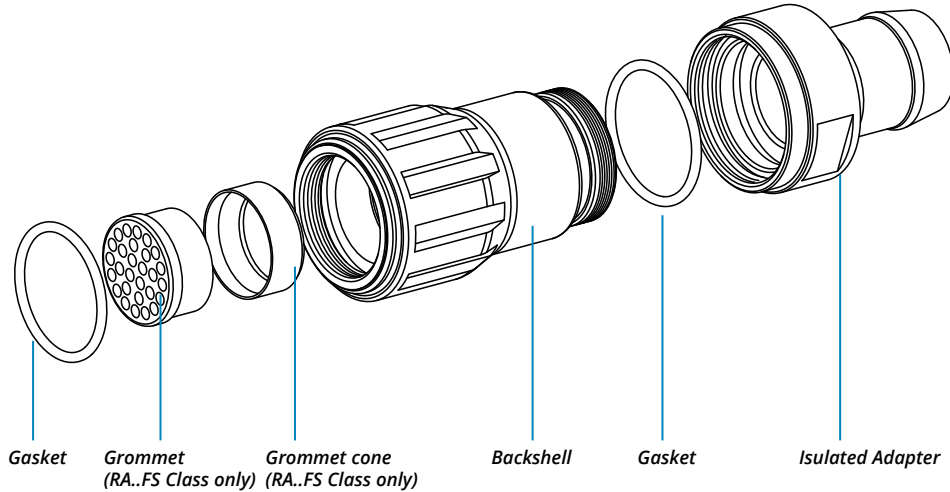
\*\* For use with no rubber covered nut  
 For use with shell type GG coupling nut rubber covered (or shell type 61 or 81), please consult our sales office.

\*\*\* On request (please consult our Sales Office)

Dimension "L" can be different from the value indicated according to backshells accessories, wires size and some special insert configurations.

Dimensions in mm

# KVBSG - Bayonet Connector with external insulated coating



The accessories for this class are not always available in stock for all sizes; we suggest you consult our Sales Office for availability

<input type="checkbox"/>	<b>Insulating material</b>	-	Thermoplastic resin	<input type="checkbox"/>	<b>Polarization Code**</b>		Page 14
<input checked="" type="checkbox"/>	<b>Series Code</b>	<b>KVBSG</b>	Bayonet Connector with external insulated coating	<input checked="" type="checkbox"/>	<b>Backshell Conduits size</b>	<b>FS</b>	Provided with a special adapter for UNI4883 rubber conduits
<input type="checkbox"/>	<b>Shell Material</b>	-	Aluminum	<input checked="" type="checkbox"/>	<b>Conduit Size</b>	<b>xxxx</b>	ØA1ØA2
<input checked="" type="checkbox"/>	<b>Shell Type</b>	<b>030</b>	Rear mounting Receptacle	<input type="checkbox"/>	<b>Contact Termination</b>	<b>LC</b>	Less contacts
<input checked="" type="checkbox"/>	<b>Connector Class</b>	<b>DA</b>	with waterproof O-ring (IP67***)	<input type="checkbox"/>	<b>Contact Plating</b>	-	Silver plating
<input type="checkbox"/>		<b>RA</b>	with waterproof O-ring and grommet (IP67***)	<input type="checkbox"/>		<b>CD5</b>	Gold plating
<input type="checkbox"/>	<b>Connector Modification**</b>	<b>T</b>	With plastic caps	<input checked="" type="checkbox"/>	<b>Shell finish</b>	<b>F7</b>	Black epoxy varnish (*)
<input type="checkbox"/>		-	Receptacle connector with threaded holes	<input type="checkbox"/>		<b>F16</b>	CCF - Black passivation (*) - conductive
<input type="checkbox"/>		<b>FP</b>	Receptacle connector with through holes	<input type="checkbox"/>		<b>F26</b>	hard anodization (*)
<input type="checkbox"/>	<b>Insert Arrangement</b>		Page 14	<input type="checkbox"/>	<b>Panel Gasket</b>	-	Without gasket
<input type="checkbox"/>		<b>S</b>	Socket contacts	<input type="checkbox"/>		<b>G</b>	With waterproof panel gasket
<input type="checkbox"/>	<b>Contact Gender</b>	<b>S</b>	Socket contacts	<input type="checkbox"/>	<b>Modification Code**</b>	<b>N</b>	Consult our sales office
<input type="checkbox"/>		<b>P</b>	Pin contacts	<input type="checkbox"/>		<b>S</b>	

\*\*\* Protection degree: IP 67 (only in the mating area with mated connectors) according to EN 60529 (\*) RoHS compliance (\*\*) If required

P/N Sample: KVBSG 030DAT 24-10SX FS2015 LC F7 G N

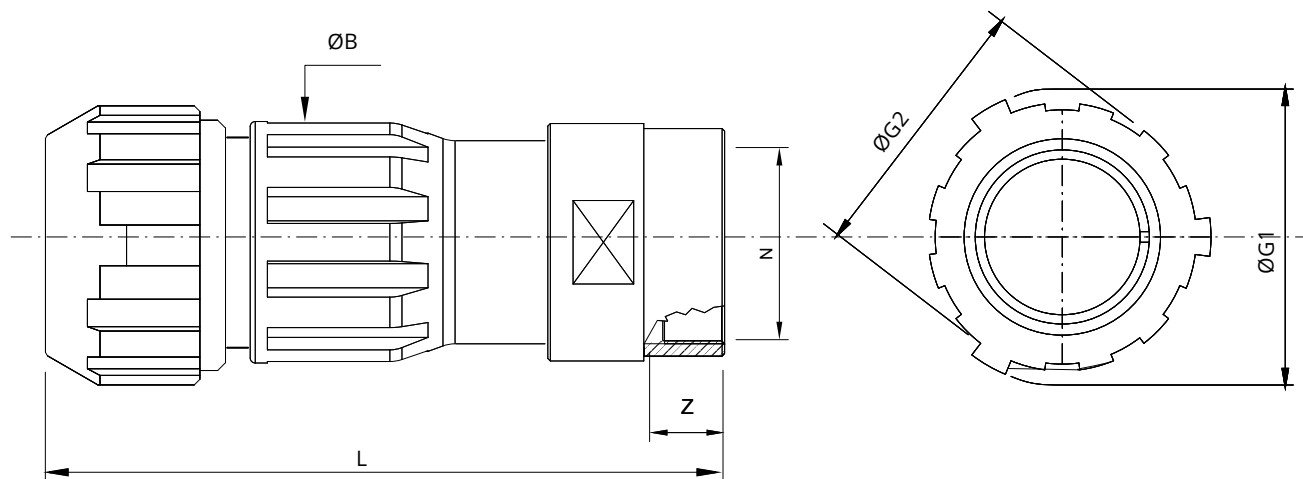
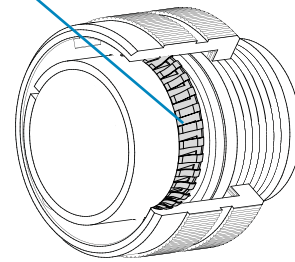
# KVBSG - Bayonet Connector with external insulated coating

## Plug Connector (06 - 61 - 96 - 961) with Backshell Class (DA..M - RA..M)

Connector with backshell provided with an internal Metric thread suitable for cable glands or conduit adapters. Rubber covered coupling nut able to protect against dust and impact.



Grounding finger for Shell 96/961



Shell size	ØG1	ØG2	L max	Z min	N Backshell Thread
18	49	43.5	107	12	M20
20	51.5	46	124	15	M25
22	56	50.5	124	15	M25
24	60	54	143	16	M32
28	67	61	144	16	M32
36	82	73.5	155	*	M40
40	88	80	159	*	M50

Dimensions in mm

\* On request (please consult our Sales Office)

Dimension "L" can be different from the value indicated according to backshells accessories, wires size and some special insert configurations.

# KVBSG - Bayonet Connector with external insulated coating



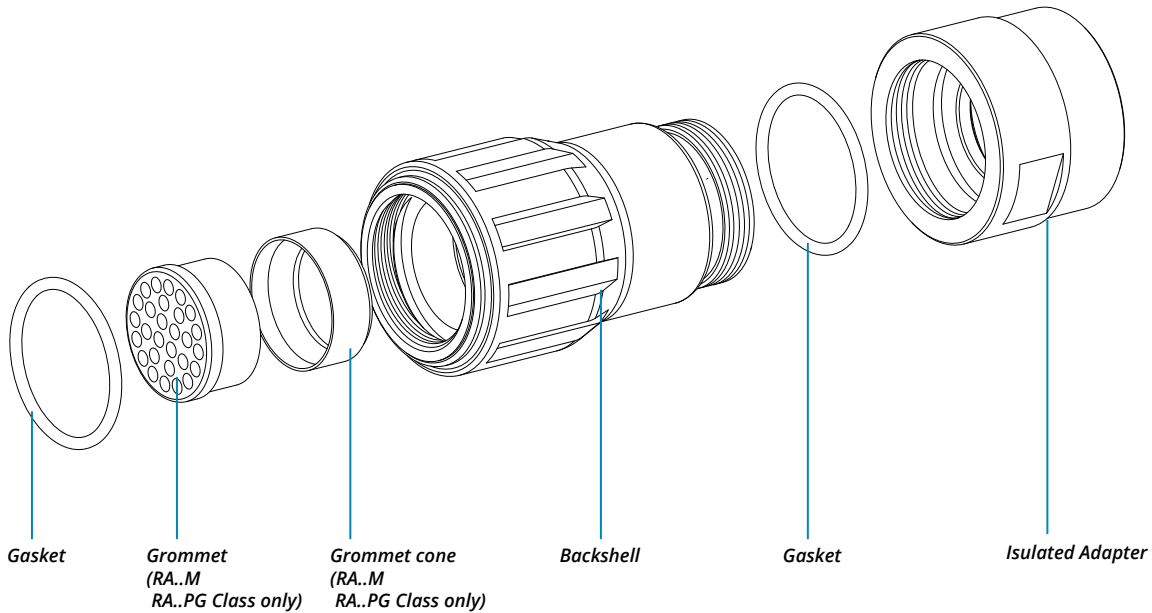
**Series Code**

**Shell Type**

**Connector Class**

**Backshell internal thread**

**Shell finish**



The accessories for this class are not always available in stock for all sizes; we suggest you consult our Sales Office for availability

<input type="checkbox"/>	<b>Insulating material</b>	-	Thermoplastic resin	<input type="checkbox"/>	<b>24-10 Insert Arrangement</b>		Page 14
<input checked="" type="checkbox"/>	<b>Series Code</b>	<b>KVBSG</b>	Bayonet Connector with external insulated coating	<input type="checkbox"/>	<b>S Contact Gender</b>	<b>S</b>	Socket contacts
<input type="checkbox"/>	<b>Shell Material</b>	-	Aluminum	<input type="checkbox"/>	<b>P</b>		Pin contacts
<input type="checkbox"/>	<b>Shell Type</b>	<b>06</b>	Plug Connector without grounding finger	<input type="checkbox"/>	<b>X Polarization Code**</b>		Page 14
<input type="checkbox"/>		<b>96</b>	Plug Connector with grounding finger	<input checked="" type="checkbox"/>	<b>M20 Backshell internal thread</b>	<b>Mxx</b>	Provided with an internal Metric thread
<input checked="" type="checkbox"/>		<b>61</b>	Plug Connector without grounding finger Rubber covered coupling nut (short version)	<input type="checkbox"/>	<b>LC Contact Termination</b>	<b>LC</b>	Less contacts
<input type="checkbox"/>	<b>Connector Class</b>	<b>DA</b>	Plug Connector with waterproof O-ring (IP67***)	<input type="checkbox"/>	<b>- Contact Plating</b>	<b>-</b>	Silver plating
<input type="checkbox"/>		<b>RA</b>	Plug Connector with waterproof O-ring and grommet (IP67***)	<input type="checkbox"/>	<b>CD5</b>	<b>CD5</b>	Gold plating
<input type="checkbox"/>	<b>Connector Modification**</b>	<b>T</b>	With plastic caps	<input checked="" type="checkbox"/>	<b>F7 Shell finish</b>	<b>F7</b>	Black epoxy varnish (*)
<input type="checkbox"/>		<b>T</b>			<input type="checkbox"/>	<b>F16</b>	CCF - Black passivation (*) - conductive
<input type="checkbox"/>				<input type="checkbox"/>	<b>F26</b>	<b>F26</b>	hard anodization (*)
<input type="checkbox"/>				<input type="checkbox"/>	<b>N Modification Code**</b>	<b>N</b>	Consult our sales office
<input type="checkbox"/>				<input type="checkbox"/>		<b>S</b>	Consult our sales office

\*\*\* Protection degree: IP 67 (only in the mating area with mated connectors) according to EN 60529 (\*) RoHS compliance (\*\*) If required

P/N Sample: KVBSG 06DAT 24-10SX M20 LC F7 N

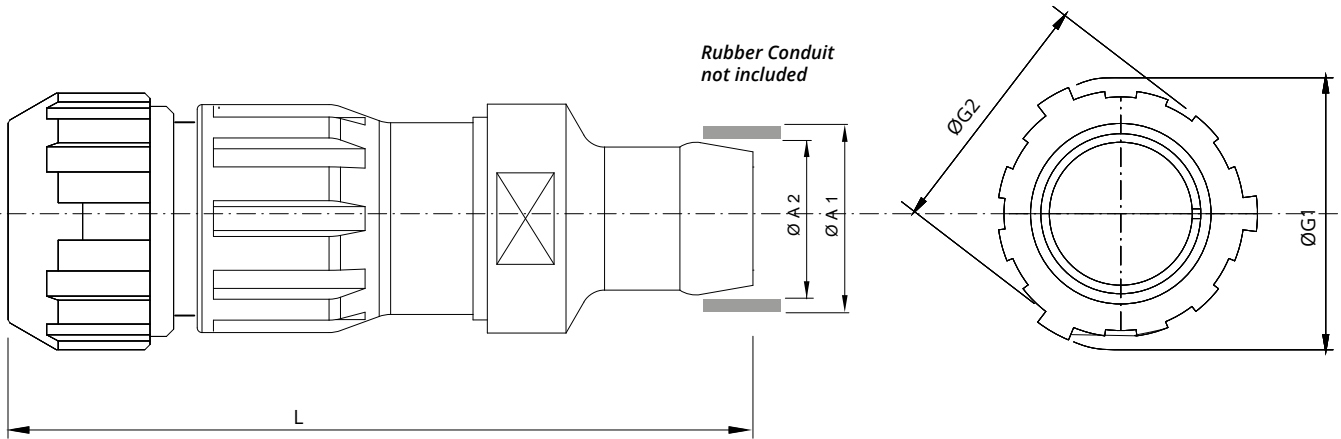
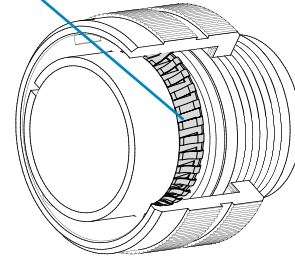
# KVBSG - Bayonet Connector with external insulated coating

## Plug Connector (06 - 61 - 96 - 961) with Backshell Class (DA..FS - RA..FS)

Connector with special adapter for UNI4883 rubber conduits.  
 Conduit's size must be specified adding the diameter dimensions in the P/N (i.e.: KVBSG 06DA...FS5040...).  
 Rubber covered coupling nut able to protect against dust and impact.



Grounding finger  
for Shell 96/961



Please consult our Sales Office for further details about this dimension and according to conduit size.

Shell size	ØG1	ØG2	L max
18	49	43.5	115
20	51.5	46	128
22	56	50.5	128
24	60	54	150
28	67	61	150
36	82	73.5	160
40	88	80	165

Shell size	Backshell Conduit Size	ØA1	ØA2
18-20-22	FS2015	20	15
20-22-24-28	FS2318	23	18
28	FS2520	25	20
20-22	FS2722	27	22
20-22-24-28	FS3328	33	28
20-22	FS2924	29	24
36	FS3530	35	30
24-28-36	FS3833	38	33
24-28	FS4030	40	30
24-28-36	FS4035	40	35
40	FS4540	45	40
40	FS5040	50	40
40	FS5045	50	45
36	FS5247	52	47
36-40	FS5550	55	50

Dimensions in mm

Dimension "L" can be different from the value indicated according to backshells accessories, wires size and some special insert configurations.



# KVBSG - Bayonet Connector with external insulated coating



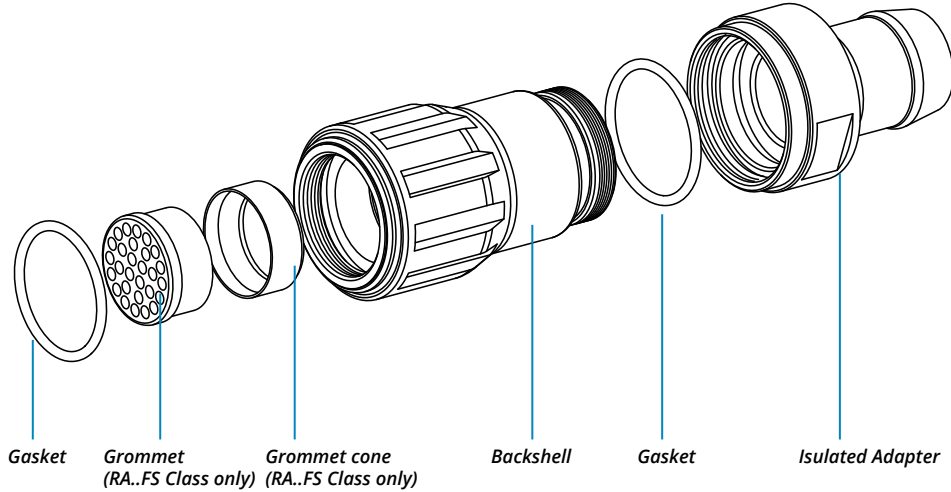
**Series Code**

**Shell Type**

**Connector Class**

**Backshell Conduits size**

**Shell finish**



The accessories for this class are not always available in stock for all sizes; we suggest you consult our Sales Office for availability

<input type="checkbox"/>	<b>Insulating material</b>	-	Thermoplastic resin	<input type="checkbox"/>	<b>Insert Arrangement</b>	24-10	Page 14
<input checked="" type="checkbox"/>	<b>Series Code</b>	KVBSG	Bayonet Connector with external insulated coating	<input type="checkbox"/>	<b>Contact Gender</b>	S	Socket contacts
<input type="checkbox"/>	<b>Shell Material</b>	-	Aluminum	<input type="checkbox"/>	<b>Polarization Code**</b>	X	Page 14
<input checked="" type="checkbox"/>	<b>Shell Type</b>	06	Plug Connector without grounding finger	<input checked="" type="checkbox"/>	<b>Backshell Conduits size</b>	FS	Provided with a special adapter for UNI4883 rubber conduits
		96	Plug Connector with grounding finger	<input checked="" type="checkbox"/>	<b>Conduit Size</b>	xxxx	ØA1ØA2
		61	Plug Connector without grounding finger Rubber covered coupling nut (short version)	<input type="checkbox"/>	<b>Contact Termination</b>	LC	Less contacts
		961	Plug Connector Rubber covered coupling nut (short version) with grounding finger	<input type="checkbox"/>	<b>Contact Plating</b>	-	Silver plating
<input checked="" type="checkbox"/>	<b>Connector Class</b>	DA	with waterproof O-ring (IP67***)	<input type="checkbox"/>	<b>Shell finish</b>	F7	Black epoxy varnish (*)
		RA	with waterproof O-ring and grommet (IP67***) #	<input checked="" type="checkbox"/>		F16	CCF - Black passivation (*) conductive
<input type="checkbox"/>	<b>Connector Modification**</b>	T	With plastic caps	<input type="checkbox"/>		F26	hard anodization (*)
				<input type="checkbox"/>	<b>Modification Code**</b>	N	Consult our sales office
						S	

\*\*\* Protection degree: IP 67 (only in the mating area with mated connectors) according to EN 60529 (\*) RoHS compliance (\*\*) If required

P/N Sample: KVBSG 06DAT 24-10SX FS2015 LC F7 N

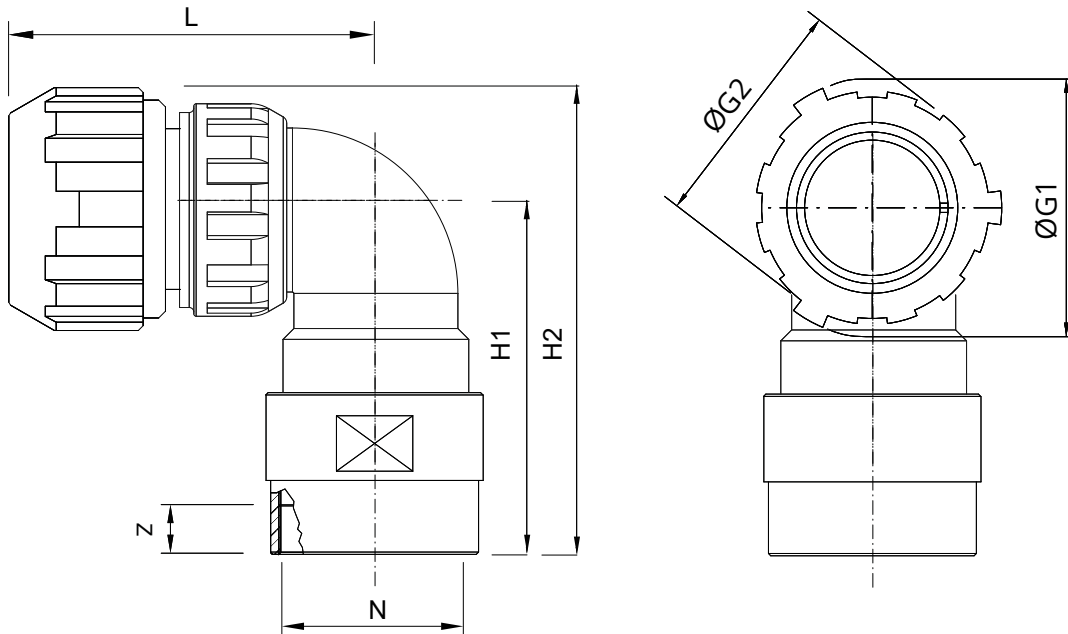
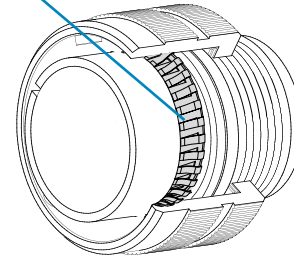
# KVBSG - Bayonet Connector with external insulated coating

## Plug Connector (08 - 81 - 98 - 981) with 90° Elbow Class (DA..M - RA..M)

Connector with backshell provided with an internal Metric thread suitable for cable glands or conduit adapters. Rubber covered coupling nut able to protect against dust and impact.



Grounding finger  
for Shell 98/981



Shell size	ØG1	ØG2	L max	H1	H2	Z min	N Backshell Thread Metric
18	49	43.5	86	65	89.5	12	M20
20	51.5	46	90	67	92.8	15	M25
22	56	50.5	90	73	101	15	M25
24	60	54	91	80	110	16	M32
28	67	61	91	82	115.5	16	M32
36	82	73.5	101	92	133	*	M40
40	88	80	105	94	138	*	M50

Dimensions in mm

\* On request (please consult our Sales Office)

Dimension "L" can be different from the value indicated according to backshells accessories, wires size and some special insert configurations.

# KVBSG - Bayonet Connector with external insulated coating

<b>KVBSG</b>	<b>08</b>	<b>DA</b>	T	24-10	S	X	<b>M20</b>	LC	<b>F7</b>		N
--------------	-----------	-----------	---	-------	---	---	------------	----	-----------	--	---

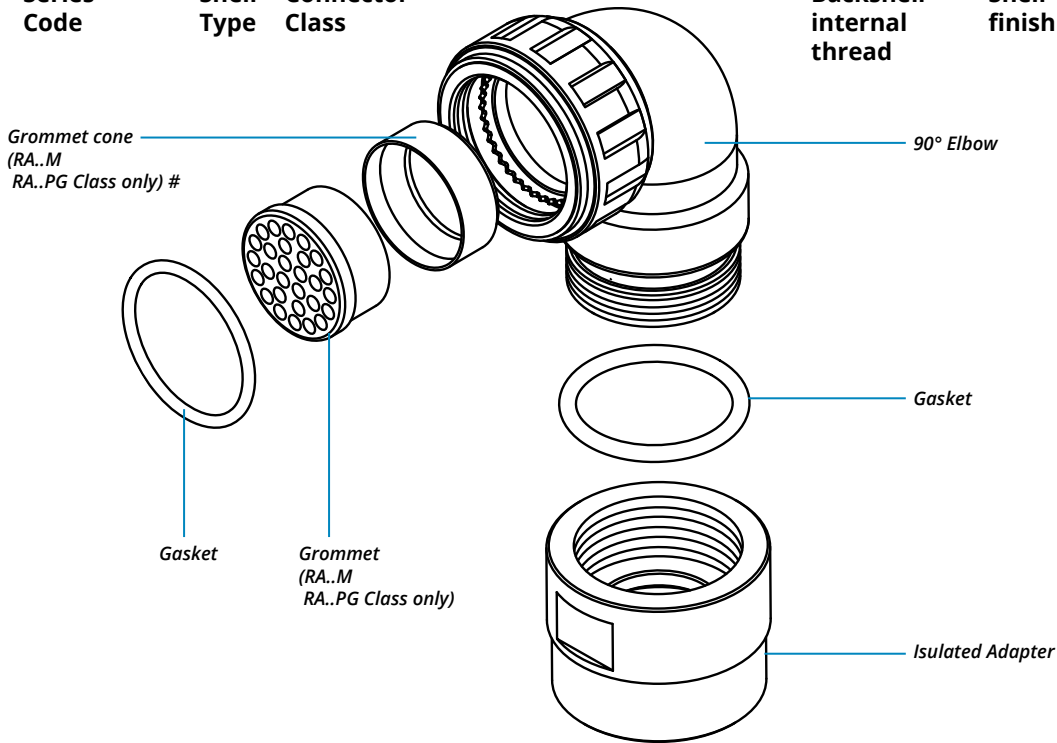
Series Code

Shell Type

Connector Class

Backshell internal thread

Shell finish



The accessories for this class are not always available in stock for all sizes; we suggest you consult our Sales Office for availability

<input type="checkbox"/>	<b>Insulating material</b>	-	Thermoplastic resin	<b>24-10</b>	<b>Insert Arrangement</b>		Page 14
<b>KVBSG</b>	<b>Series Code</b>	<b>KVBSG</b>	Bayonet Connector with external insulated coating	<b>S</b>	<b>Contact Gender</b>	<b>S</b>	Socket contacts
						<b>P</b>	Pin contacts
<input type="checkbox"/>	<b>Shell Material</b>	-	Aluminum	<b>X</b>	<b>Polarization Code**</b>		Page 14
<b>08</b>	<b>Shell Type</b>	<b>08</b>	Plug Connector with 90° elbow without grounding finger	<b>M20</b>	<b>Backshell internal thread</b>	<b>Mxx</b>	Provided with an internal Metric thread
		<b>98</b>	Plug Connector with 90° elbow with grounding finger	<b>LC</b>	<b>Contact Termination</b>	<b>LC</b>	Less contacts
		<b>81</b>	Plug Connector with 90° elbow without grounding finger Rubber covered coupling nut (short version)	<b>-</b>	<b>Contact Plating</b>	<b>-</b>	Silver plating
		<b>981</b>	Plug Connector with 90° elbow Rubber covered coupling nut (short version) with grounding finger	<b>F7</b>	<b>Shell finish</b>	<b>F16</b>	CCF - Black passivation (*) - conductive
	Plug Connector with 90° elbow Rubber covered coupling nut (short version) with grounding finger with waterproof O-ring (IP67***)		<b>F26</b>	hard anodization (*)			
<b>DA</b>	<b>Connector Class</b>	<b>DA</b>	with waterproof O-ring (IP67***)	<b>N</b>	<b>Modification Code**</b>	<b>N</b>	Consult our sales office
		<b>RA</b>	with waterproof O-ring and grommet (IP67***)			<b>S</b>	
<b>T</b>	<b>Connector Modification**</b>	<b>T</b>	With plastic caps				

\*\*\* Protection degree: IP 67 (only in the mating area with mated connectors) according to EN 60529 (\*) RoHS compliance (\*\*) If required

P/N Sample: KVBSG 08DAT 24-10SX M20 LC F7 N

(#) In some sizes the grommet cone is not needed

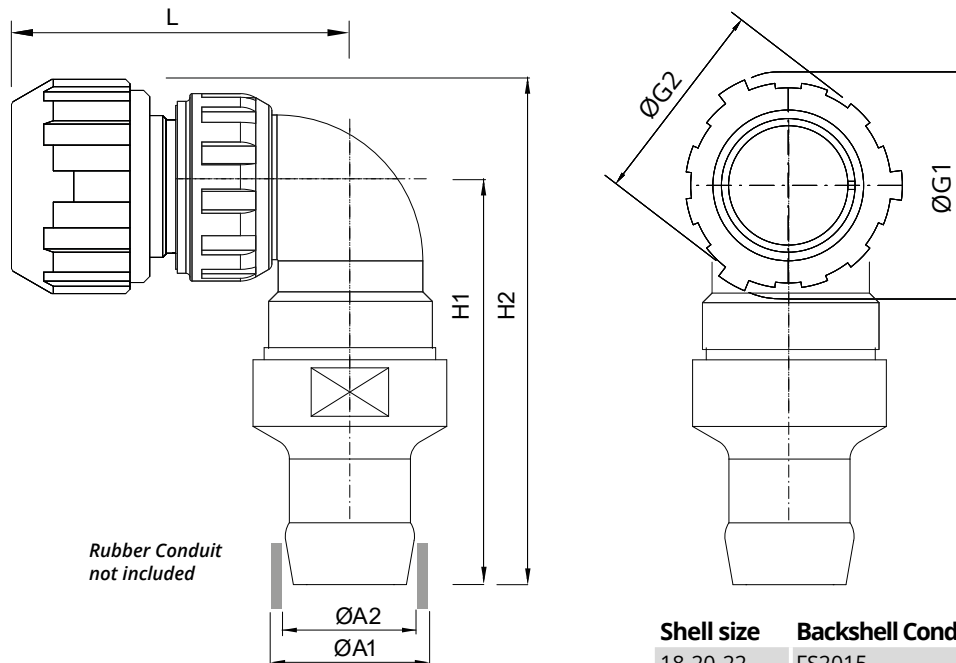
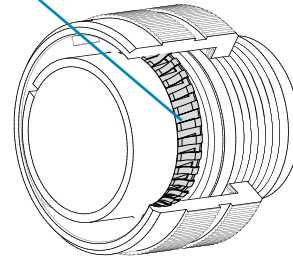
# KVBSG - Bayonet Connector with external insulated coating

## Plug Connector (08 - 81 - 98 - 981) with 90° Elbow Class (DA..FS - RA..FS)

Connector with special adapter for UNI4883 rubber conduits.  
 Conduit's size must be specified adding the diameter dimensions in the P/N (i.e.: KVBSG 08DA...FS5040...).  
 Rubber covered coupling nut able to protect against dust and impact.



Grounding finger  
for Shell 98/981



Please consult our Sales Office for further details about this dimension and according to conduit size.

Shell size	ØG1	ØG2	L max	H1	H2
18	49	43.5	68	85	109.5
20	51.5	46	71	85	110.8
22	56	50.5	71	85	113
24	60	54	76	85	115
28	67	61	76	85	118.5
36	82	73.5	84	90	131
40	88	80	88	95	139

Dimensions in mm

Dimension "L" can be different from the value indicated according to backshells accessories, wires size and some special insert configurations.

Shell size	Backshell Conduit Size	ØA1	ØA2
18-20-22	FS2015	20	15
20-22-24-28	FS2318	23	18
28	FS2520	25	20
20-22	FS2722	27	22
20-22-24-28	FS3328	33	28
20-22	FS2924	29	24
36	FS3530	35	30
24-28-36	FS3833	38	33
24-28	FS4030	40	30
24-28-36	FS4035	40	35
40	FS4540	45	40
40	FS5040	50	40
40	FS5045	50	45
36	FS5247	52	47
36-40	FS5550	55	50

# KVBSG - Bayonet Connector with external insulated coating

KVBSG  08  DA  T  24-10  S  X  FS  xxxx  LC  F7   N

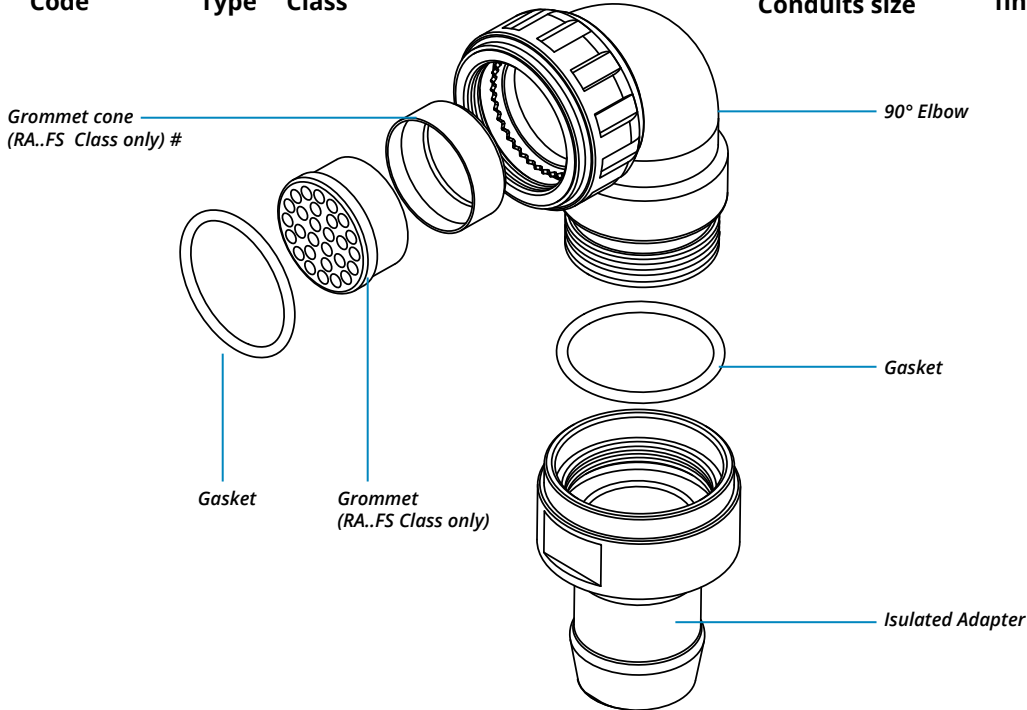
**Series Code**

**Shell Type**

**Connector Class**

**Backshell Conduits size**

**Shell finish**



The accessories for this class are not always available in stock for all sizes; we suggest you consult our Sales Office for availability

<input type="checkbox"/>	<b>Insulating material</b>	-	Thermoplastic resin	<input type="checkbox"/> 24-10	<b>Insert Arrangement</b>		Page 14
<input checked="" type="checkbox"/>	<b>Series Code</b>	KVBSG	Bayonet Connector with external insulated coating	<input type="checkbox"/> S	<b>Contact Gender</b>	S	Socket contacts
						P	Pin contacts
<input type="checkbox"/>	<b>Shell Material</b>	-	Aluminum	<input type="checkbox"/> X	<b>Polarization Code**</b>		Page 14
<input checked="" type="checkbox"/>	<b>Shell Type</b>	08	Plug Connector with 90° elbow without grounding finger	<input checked="" type="checkbox"/> FS	<b>Backshell Conduits size</b>	FS	Provided with a special adapter for UNI4883 rubber conduits
		98	Plug Connector with 90° elbow with grounding finger	<input checked="" type="checkbox"/> xxxx	<b>Conduit Size</b>	xxxx	ØA1ØA2
		81	Plug Connector with 90° elbow without grounding finger Rubber covered coupling nut (short version)	<input type="checkbox"/> LC	<b>Contact Termination</b>	LC	Less contacts
		981	Plug Connector with 90° elbow Rubber covered coupling nut (short version) with grounding finger	<input type="checkbox"/>	<b>Contact Plating</b>	-	Silver plating
						CD5	Gold plating
<input checked="" type="checkbox"/>	<b>Connector Class</b>	DA	with waterproof O-ring (IP67***)	<input checked="" type="checkbox"/> F7	<b>Shell finish</b>	F7	Black epoxy varnish (*)
		RA	with waterproof O-ring and grommet (IP67***) #			F16	CCF - Black passivation (*)
						F26	hard anodization (*)
<input type="checkbox"/> T	<b>Connector Modification**</b>	T	With plastic caps	<input type="checkbox"/> N	<b>Modification Code**</b>	N	Consult our sales office
						S	Consult our sales office

\*\*\* Protection degree: IP 67 (only in the mating area with mated connectors) according to EN 60529 (\*) RoHS compliance (\*\*) If required

P/N Sample: KVBSG 08DAT 24-10SX FS2015 LC F7 N

(#) In some sizes the grommet cone is not needed

# Connector Shell - Receptacle mounting holes option

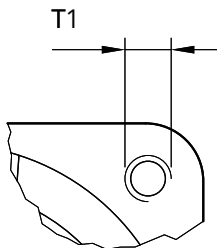
The rear mounting panel connectors can be also supplied with different mounting holes. Please refer to the dimensional tables below.



<b>FF</b>	<b>Connector Modification</b>	<b>FF</b>	Receptacle connector with threaded holes (to specify for 00/02/020/05 shell only)
		<b>FP</b>	Receptacle connector with through holes (to specify for 03/030/038/TB shell only)

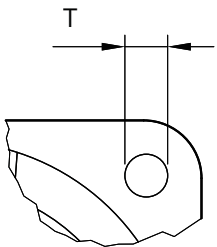


\* M5 front mounting panel, M4 Rear mounting panel

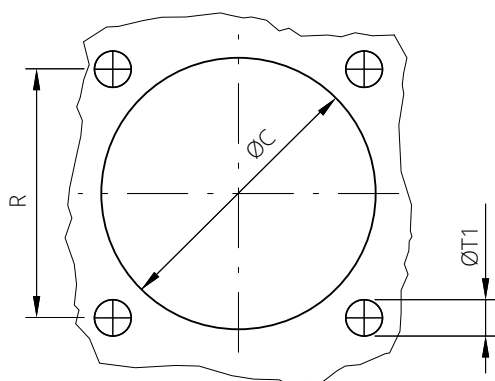


Shell size	Rear mounting panel connectors Shell version: 030	
	Through holes FP - T	Threaded holes Standard Version - T1
18	3.2	M4
20	3.2	M4
22	3.2	M4
24	3.7	M4
28	3.7	M5
36	4.3	M5
40	4.3	M5

Dimensions in mm



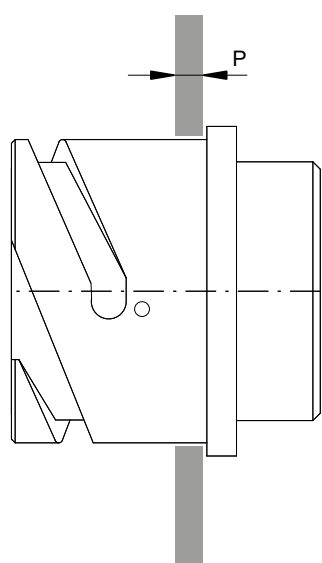
## Connector Shell - Panel drilling dimensions



Panel cut out

Shell size	R	Shell version: 030		
		ØC ±0.2	ØT1 for FF Threaded holes (standard hole)	ØT1 for FP Through holes
18	27	31.7	4.5	3.4
20	29.4	35	4.5	3.4
22	31.8	38.3	4.5	3.4
24	34.9	41.8	4.5	3.9
28	39.7	47.6	5.5	3.9
36	49.2	60.5	5.5	4.5
40	55.6	66.4	5.5	4.5

## Connector Shell - Mounting panel characteristics



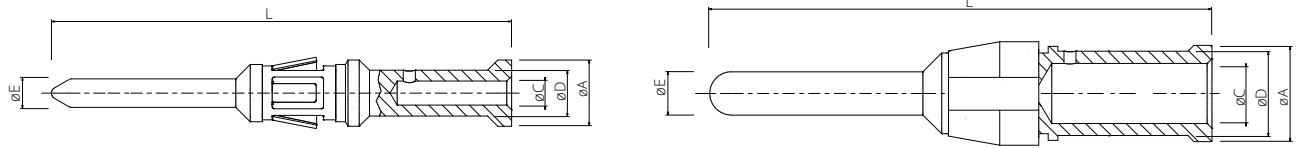
Shell size	P Panel Thickness *
	Shell version: 030 Rear Mounting Panel Connectors Max
18	7.25
20	7.3
22	7.3
24	6.85
28	7.8
36	7.5
40	7.5

\* For use with no rubber covered nut (or with shell type 61 or 81)  
For use with shell type GG coupling nut rubber covered please consult our sales office.

Dimensions in mm

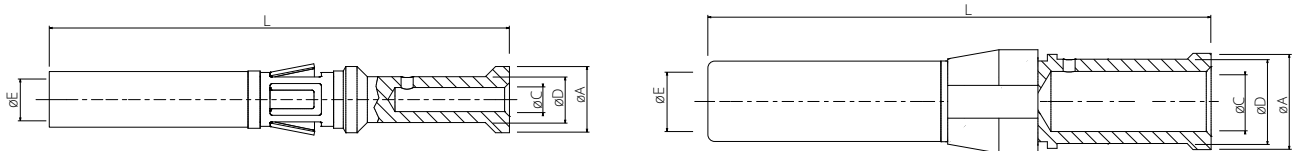
## KVBS - KT Contacts - for thermoplastics inserts

### Pin Contacts - Crimp - Silver Plated



Contact Size	Part Number	Short Description	Wire section (mm <sup>2</sup> )	AWG cable size	ØA	ØE	ØC	ØD	L
16	**	KT485 16-12P	0.5÷0.75	-	3.7	1.57	1.2	2.6	33.4
16	**	KT485 16-17P	0.5÷1.5	20÷16	3.8	1.57	1.7	2.3	33.4
16	**	KT485 16-19P	1.5÷2.5	16÷14	3.8	1.57	1.9	2.5	33.4
16	**	KT485 16-20P *	1÷2	18÷14	3.7	1.57	2	2.9	33.4
16	**	KT485 16-26P	2.5÷3	-	3.7	1.57	2.5	3.8	33.4
12	**	KT485 12-12P	0.6	20	5.5	2.37	1.2	2.6	38.2
12	**	KT485 12-20P	1÷2	18÷14	5.5	2.37	2	3.8	38.2
12	**	KT485 12-26P *	2.5÷3	-	5.5	2.37	2.5	3.8	38.2
12	**	KT485 12-30P	4	-	5.5	2.37	3	4.8	38.2
12	**	KT485 12-38P	6	-	5.5	2.37	3.6	4.8	38.2
8	**	KT485 8-15P	1	-	8	3.59	1.5	3.4	41.7
8	**	KT485 8-22P	2.5	-	8	3.59	2.2	3.8	41.7
8	**	KT485 8-30P**	4	-	8	3.59	3	4.8	41.7
8	**	KT485 8-38P *	6	-	8	3.59	3.6	4.8	41.7
8	**	KT485 8-50P**	10	-	8	3.59	5	7	41.7

### Socket Contacts - Crimp - Silver Plated



Contact Size	Part Number	Short Description	Wire section (mm <sup>2</sup> )	AWG cable size	ØA	ØE	ØC	ØD	L
16	**	KT485 16-12S	0.5÷0.75	-	3.7	1.65	1.2	2.6	38.4
16	**	KT485 16-17S**	0.5÷1.5	20÷16	3.8	1.65	1.7	2.3	38.4
16	**	KT485 16-19S**	1.5÷2.5	16÷14	3.8	1.65	1.9	2.5	38.4
16	**	KT485 16-20S *	1÷2	18÷14	3.7	1.65	2	2.9	38.4
16	**	KT485 16-26S	2.5÷3	-	3.7	1.65	2.5	3.8	38.4
12	**	KT485 12-12S	0.6	20	5.5	2.48	1.2	2.6	38.7
12	**	KT485 12-20S	1÷2	18÷14	5.5	2.48	2	3.8	38.7
12	**	KT485 12-26S *	2.5÷3	-	5.5	2.48	2.5	3.8	38.7
12	**	KT485 12-30S	4	-	5.5	2.48	3	4.8	38.7
12	**	KT485 12-38S	6	-	5.5	2.48	3.6	4.8	38.7
8	**	KT485 8-15S	1	-	8	3.7	1.5	3.4	41.7
8	**	KT485 8-22S	2.5	-	8	3.7	2.2	3.8	41.7
8	**	KT485 8-30S**	4	-	8	3.7	3	4.8	41.7
8	**	KT485 8-38S *	6	-	8	3.7	3.6	4.8	41.7
8	**	KT485 8-50S**	10	-	8	3.7	5	7	41.7

Dimensions in mm

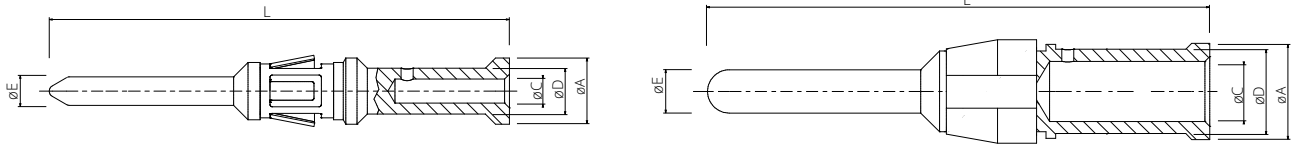
\* Contacts included in the standard connectors

\*\* On request (please consult our Sales Office)



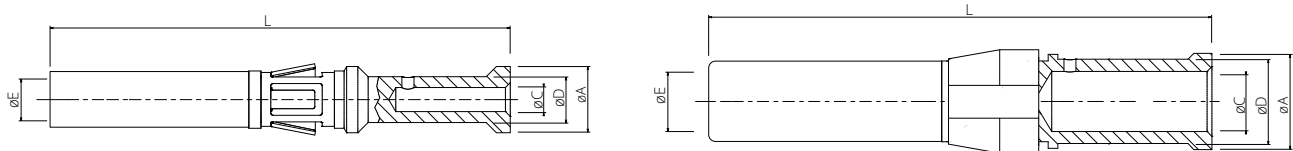
# KVBS - KT Contacts - for thermoplastics inserts

## Pin Contacts - Crimp - Gold Plated



Contact Size	Part Number	Short Description	Wire section (mm <sup>2</sup> )	AWG cable size	ØA	ØE	ØC	ØD	L
16	VS701302	KT485 16-12P CD5	0.5÷0.75	-	3.7	1.57	1.2	2.6	33.4
16	VS701315	KT485 16-17P CD5	0.5÷1.5	20÷16	3.8	1.57	1.7	2.3	33.4
16	VS701316	KT485 16-19P CD5	1.5÷2.5	16÷14	3.8	1.57	1.9	2.5	33.4
16	VS701303	KT485 16-20P CD5 *	1÷2	18÷14	3.7	1.57	2	2.9	33.4
16	VS701304	KT485 16-26P CD5	2.5÷3	-	3.7	1.57	2.5	3.8	33.4
12	VS701305	KT485 12-12P CD5	0.6	20	5.5	2.37	1.2	2.6	38.2
12	VS701306	KT485 12-20P CD5	1÷2	18÷14	5.5	2.37	2	3.8	38.2
12	VS701307	KT485 12-26P CD5 *	2.5÷3	-	5.5	2.37	2.5	3.8	38.2
12	VS701308	KT485 12-30P CD5	4	-	5.5	2.37	3	4.8	38.2
12	VS701309	KT485 12-38P CD5	6	-	5.5	2.37	3.6	4.8	38.2
8	VS701310	KT485 8-15P CD5	1	-	8	3.59	1.5	3.4	41.7
8	VS701311	KT485 8-22P CD5	2.5	-	8	3.59	2.2	3.8	41.7
8	VS701312	KT485 8-30P CD5**	4	-	8	3.59	3	4.8	41.7
8	VS701313	KT485 8-38P CD5 *	6	-	8	3.59	3.6	4.8	41.7
8	VS701314	KT485 8-50P CD5**	10	-	8	3.59	5	7	41.7

## Socket Contacts - Crimp - Gold Plated



Contact Size	Part Number	Short Description	Wire section (mm <sup>2</sup> )	AWG cable size	ØA	ØE	ØC	ØD	L
16	VS701402	KT485 16-12S CD5	0.5÷0.75	-	3.7	1.65	1.2	2.6	38.4
16	VS701415	KT485 16-17S CD5**	0.5÷1.5	20÷16	3.8	1.65	1.7	2.3	38.4
16	VS701416	KT485 16-19S CD5**	1.5÷2.5	16÷14	3.8	1.65	1.9	2.5	38.4
16	VS701403	KT485 16-20S CD5 *	1÷2	18÷14	3.7	1.65	2	2.9	38.4
16	VS701404	KT485 16-26S CD5	2.5÷3	-	3.7	1.65	2.5	3.8	38.4
12	VS701405	KT485 12-12S CD5	0.6	20	5.5	2.48	1.2	2.6	38.7
12	VS701406	KT485 12-20S CD5	1÷2	18÷14	5.5	2.48	2	3.8	38.7
12	VS701407	KT485 12-26S CD5 *	2.5÷3	-	5.5	2.48	2.5	3.8	38.7
12	VS701408	KT485 12-30S CD5	4	-	5.5	2.48	3	4.8	38.7
12	VS701409	KT485 12-38S CD5	6	-	5.5	2.48	3.6	4.8	38.7
8	VS701410	KT485 8-15S CD5	1	-	8	3.7	1.5	3.4	41.7
8	VS701411	KT485 8-22S CD5	2.5	-	8	3.7	2.2	3.8	41.7
8	VS701412	KT485 8-30S CD5**	4	-	8	3.7	3	4.8	41.7
8	VS701413	KT485 8-38S CD5 *	6	-	8	3.7	3.6	4.8	41.7
8	VS701414	KT485 8-50S CD5**	10	-	8	3.7	5	7	41.7

Dimensions in mm

\* Contacts included in the standard connectors

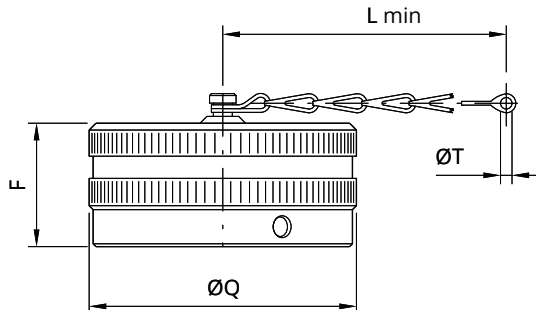
\*\* On request (please consult our Sales Office)

# Caps for Bayonet Connectors

## Accessories For Connectors

### Caps with chain for connectors version: shell type with ramp

Provided with sealing gasket. Chain and lugs are in stainless steel.  
Protection degree: IP 67 (mated to the connector) according to EN 60529.



Shell size	ØQ	F	L min	ØT
18	38	21.7	123	4.3
20	40.5	21.7	123	4.3
22	44	21.7	123	4.3
24	47	21.7	123	4.3
28	53	21.7	206	4.3
36	66.2	21.7	206	4.3
40	72.4	21.7	206	4.3

**Finishes : F7** Black epoxy varnish (RoHS compliance)

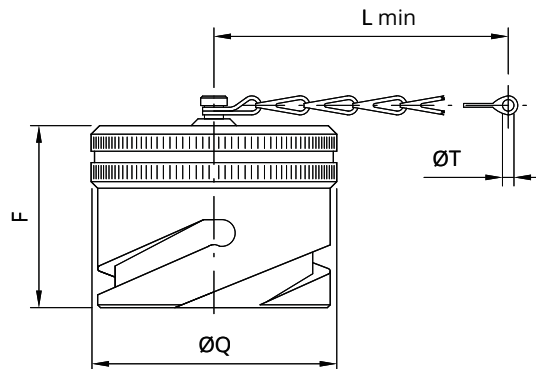
Shell size	Part Number	Short Description
18	VS151105	CVB 043-18 F7
20	VS151106	CVB 043-20 F7
22	VS151107	CVB 043-22 F7
24	VS151108	CVB 043-24 F7
28	VS151109	CVB 043-28 F7
36	VS151111	CVB 043-36 F7
40	VS151112	CVB 043-40 F7

**Finishes : F16** CCF - Black passivation (RoHS compliance) - conductive

Shell size	Part Number	Short Description
18	VS151129	CVB 043-18 F16
20	VS151130	CVB 043-20 F16
22	VS151131	CVB 043-22 F16
24	VS151132	CVB 043-24 F16
28	VS151133	CVB 043-28 F16
36	VS151135	CVB 043-36 F16
40	VS151136	CVB 043-40 F16

### Caps with chain for connector version: shell type with coupling nut

These caps have no sealing gasket because mated with connectors generally provided with front gasket.  
Chain and lugs are in stainless steel. Protection degree: IP 67 (mated to the connector) according to EN 60529.



Shell size	ØQ	F	L min	ØT
18	33	34.5	123	4.3
20	36.5	34.5	138	4.3
22	39.7	34.5	138	4.3
24	43.2	34.5	138	4.3
28	48.9	34.5	206	4.3
36	61.6	34.5	206	4.3
40	67.6	34.5	206	4.3

**Finishes : F7** Black epoxy varnish (RoHS compliance)

Shell size	Part Number	Short Description
18	VS151205	CVB 042-18 F7
20	VS151206	CVB 042-20 F7
22	VS151207	CVB 042-22 F7
24	VS151208	CVB 042-24 F7
28	VS151209	CVB 042-28 F7
36	VS151211	CVB 042-36 F7
40	VS151212	CVB 042-40 F7

**Finishes : F16** CCF - Black passivation (RoHS compliance) - conductive

Shell size	Part Number	Short Description
18	VS151229	CVB 042-18 F16
20	VS151230	CVB 042-20 F16
22	VS151231	CVB 042-22 F16
24	VS151232	CVB 042-24 F16
28	VS151233	CVB 042-28 F16
36	VS151235	CVB 042-36 F16
40	VS151236	CVB 042-40 F16

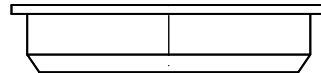
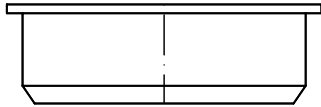
Dimensions in mm

# Protective Plastic Dust Caps

## Accessories For Connectors

These caps are used to protect connectors against dust. They are not included in the connectors and have to be ordered separately.

*The drawings are indicative only and they could be change according to the size*



### Caps for connectors version: shell type with ramp

Shell size	Part Number	Short Description
18	VS412105	PCVB 043-18
20	VS412106	PCVB 043-20
22	VS412107	PCVB 043-22
24	VS412108	PCVB 043-24
28	VS412109	PCVB 043-28
36	VS412141	PCVB 043-36
40	VS412142	PCVB 043-40

### Caps for connector version: shell type with coupling nut

Shell size	Part Number	Short Description
18	VS412135	PCVB 042-18
20	VS412136	PCVB 042-20
22	VS412137	PCVB 042-22
24	VS412138	PCVB 042-24
28	VS412139	PCVB 042-28
36	VS412145	PCVB 042-36
40	VS412146	PCVB 042-40

### Caps for connector version: shell type with rubber covered coupling nut

Shell size	Part Number	Short Description
18	**	PCVBSG 042-18
20	**	PCVBSG 042-20
22	**	PCVBSG 042-22
24	**	PCVBSG 042-24
28	**	PCVBSG 042-28
36	**	PCVBSG 042-36
40	**	PCVBSG 042-40

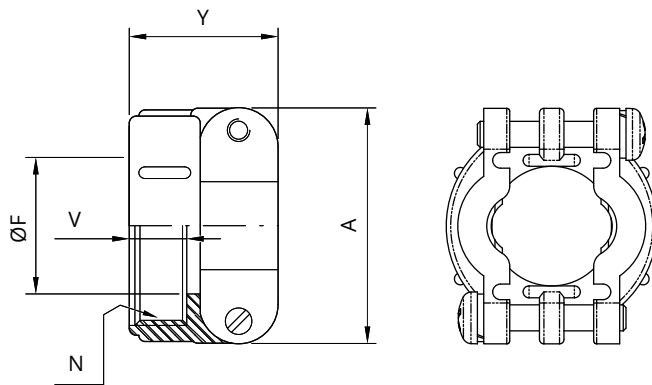
*\*\* On request (please consult our Sales Office)*

## Cable Clamp A type

### Accessories For Connectors

#### MS 3057 - ...A Cable Clamp, general duty

These cable-clamps keep the cable in the connector axial position and guarantee an excellent mechanical strain relief. MS 3420 or RF 3420 Bushing are not waterproof and are generally supplied separately except for classes AF,F,LAF and LF connectors.



**Finishes : F7** Black epoxy varnish (*RoHS compliance*)

Shell size	Part Number	Short Description	Y max	V ±0.2	A max	ØF max cable Ø	N Thread in inches
18	VS705204	MS 3057-10A F7	25	10.5	31.7	15.8	1"-20 UNEF
20 - 22	VS705205	MS 3057-12A F7	25	10.5	37.5	19	1" 3/16-18 UNEF
24 - 28	VS705206	MS 3057-16A F7	26	10.5	43.5	23.8	1" 7/16-18 UNEF
36	VS705208	MS 3057-24A F7	29.4	14	58.5	35	2"-18 UNS
40	VS705209	MS 3057-28A F7	42.8	14	68.5	41.2	2"1/4-16 UN

**Finishes : F16** CCF - Black passivation (*RoHS compliance*) - conductive

Shell size	Part Number	Short Description	Y max	V ±0.2	A max	ØF max cable Ø	N Thread in inches
18	VS705224	MS 3057-10A F16	25	10.5	31.7	15.8	1"-20 UNEF
20 - 22	VS705225	MS 3057-12A F16	25	10.5	37.5	19	1" 3/16-18 UNEF
24 - 28	VS705226	MS 3057-16A F16	26	10.5	43.5	23.8	1" 7/16-18 UNEF
36	VS705228	MS 3057-24A F16	29.4	14	58.5	35	2"-18 UNS
40	VS705229	MS 3057-28A F16	42.8	14	68.5	41.2	2"1/4-16 UN

*Dimensions in mm*

# Bushing for Cable Clamp A type

## Accessories For Connectors

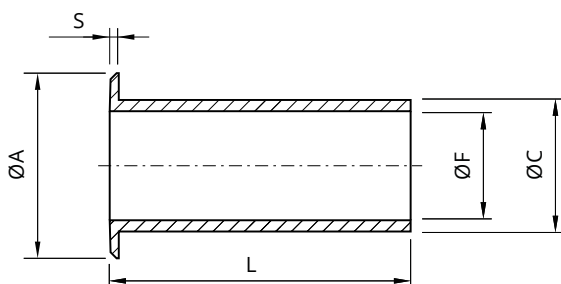
### MS 3420 - ... - RF 3420 - ... Bushing

They are made of elastomeric rubber and used with cable Clamp MS3057 - ...A to protect the cable.

In the same cable-clamp it is possible to assemble more than one bushing (inside each other) so to achieve diameters much smaller than the nominal.

Available in two versions:

- MS 3420 - ... in neoprene rubber.
- RF 3420 - ... in flame resistant rubber.



### Neoprene rubber

Shell size	Part Number	Short Description	For Cable gland	ØA ±0.2	ØF max cable Ø	ØC ±0.2	S ±0.2	L ±0.2
18	VS705404	MS 3420-10	MS 3057-10A	22	14.2	15.6	1.6	60.3
20 - 22	VS705405	MS 3420-12	MS 3057-12A	27	15.8	18.8	1.6	57.1
24 - 28	VS705406	MS 3420-16	MS 3057-16A	33.3	19	23.6	1.6	53.9
36	VS705408	MS 3420-24	MS 3057-24A	46.9	31.7	34.8	1.6	47.6
40	VS705409	MS 3420-28	MS 3057-28A	52.9	34.9	41	1.6	44.4

On request: V = Fluoride Rubber S = Silicone Rubber

Dimensions in mm

## Cable Clamp C type

### Accessories For Connectors

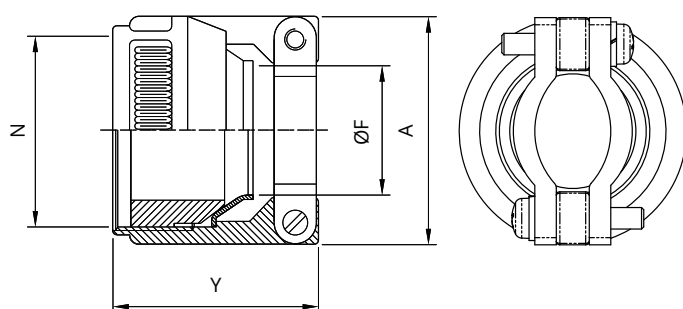
**IP67**

#### MS 3057 - ...C - RF 3057 - ...C water tight Cable Clamp

Besides guaranteeing an excellent mechanical strain relief keeping the cable in the centre of the connector, these cable-clamps are provided with an internal conical rubber bushing ensuring waterproof protection. The screws in stainless steel have elastic rose-cut antivibration head.

Available in two versions:

- MS 3057 - ...C with gasket in neoprene rubber.
- RF 3057 - ...C with gasket in flame resistant rubber.



Shell size	Y max	A max	ØF cable min	N max	Thread in inches
18	35	32	9.6	15.9	1"-20 UNEF
20 - 22	35.7	37.5	11.3	19	1" 3/16-18 UNEF
24 - 28	39	43.5	15.5	23.8	1" 7/16-18 UNEF
36	52	58	25.4	35	2"-18 UNS
40	52.3	63.5	30	41.3	2"1/4-16 UN

#### Finishes : F7 Black epoxy varnish (RoHS compliance)

Shell size	Part Number neoprene rubber	Short Description neoprene rubber	Part Number flame resistant rubber	Short Description flame resistant rubber
18	VS705254	MS 3057-10C F7	VS705304	RF 3057-10C F7
20 - 22	VS705255	MS 3057-12C F7	VS705305	RF 3057-12C F7
24 - 28	VS705256	MS 3057-16C F7	VS705306	RF 3057-16C F7
36	VS705258	MS 3057-24C F7	VS705308	RF 3057-24C F7
40	VS705259	MS 3057-28C F7	VS705309	RF 3057-28C F7

#### Finishes : F16 CCF - Black passivation (RoHS compliance) - conductive

Shell size	Part Number neoprene rubber	Short Description neoprene rubber	Part Number flame resistant rubber	Short Description flame resistant rubber
18	VS705274	MS 3057-10C F16	VS705324	RF 3057-10C F16
20 - 22	VS705275	MS 3057-12C F16	VS705325	RF 3057-12C F16
24 - 28	VS705276	MS 3057-16C F16	VS705326	RF 3057-16C F16
36	VS705278	MS 3057-24C F16	VS705328	RF 3057-24C F16
40	VS705279	MS 3057-28C F16	VS705329	RF 3057-28C F16

Gasket on request: V = Fluoride Rubber - S = Silicone Rubber

Dimensions in mm

## Bushing for Cable Clamp C type

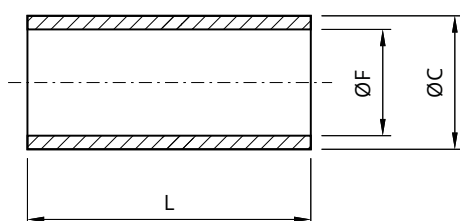
### Accessories For Connectors

#### MS 3420 - ...A - RF 3420 - ...A Bushing

They are made of elastomeric rubber and used with cable clamp MS 3057 - ...C to protect the cable. They allow using cables with diameter smaller than the nominal.

Available in two versions:

- MS 3420 - ...A in neoprene rubber.
- RF 3420 - ...A in flame resistant rubber (on request).



#### Neoprene rubber

Shell size	Part Number	Short Description	For Cable gland	ØF max cable Ø	ØC ±0.2	L ±0.2
18	VS705424	MS 3420-10A	MS 3057-10C	11.1	15.8	50.8
20 - 22	VS705425	MS 3420-12A	MS 3057-12C	13.7	18.9	50.8
24 - 28	VS705426	MS 3420-16A	MS 3057-16C	19	23.7	50.8
36	VS705428	MS 3420-24A	MS 3057-24C	28.5	35	50.8
40	VS705429	MS 3420-28A	MS 3057-28C	31.8	41.1	50.8

#### Flame resistant rubber

Shell size	Part Number	Short Description	For Cable gland	ØF max cable Ø	ØC ±0.2	L ±0.2
18	VS705434	RF 3420-10A	RF 3057-10C	11.1	15.8	50.8
20 - 22	VS705435	RF 3420-12A	RF 3057-12C	13.7	18.9	50.8
24 - 28	VS705436	RF 3420-16A	RF 3057-16C	19	23.7	50.8
36	VS705438	RF 3420-24A	RF 3057-24C	28.5	35	50.8
40	VS705439	RF 3420-28A	RF 3057-28C	31.8	41.1	50.8

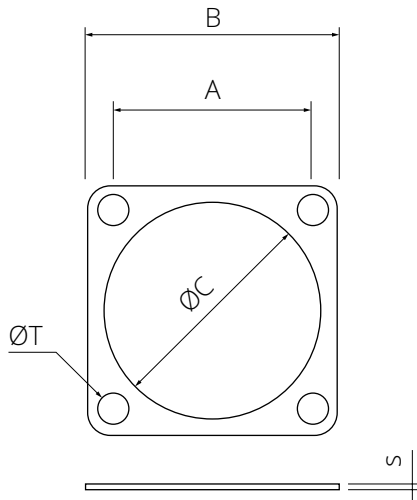
On request: V = Fluoride Rubber S = Silicone Rubber

Dimensions in mm

# Connector Mounting Gaskets

## Accessories For Connectors

These gaskets are used to make panel connectors water resistant.



### Gaskets for rear mounting panel connectors (03 - 030 - 038 connectors)

**Gasket C216:** non conductive chloroprene rubber gasket (IP67 protection)

Shell size	Part Number Non conductive	Short Description Non conductive	A ±0.2	B -0 +0.4	ØC ±0.3	S C216	ØT ±0.3
18	VS412404	C216-18	27	35	30.8	0.8±0.3	4.2
20	VS412405	C216-20	29.4	38.1	34.2	0.8±0.3	4.2
22	VS412406	C216-22	31.8	41.2	37.4	0.8±0.3	4.2
24	VS412407	C216-24	34.9	44.5	40.9	0.8±0.3	4.2
28	VS412408	C216-28	39.7	50.8	46.7	0.8±0.3	5.1
36	VS412410	C216-36	49.2	63.5	59.6	0.8±0.3	5.1
40	VS412411	C216-40	55.5	69.9	65.5	0.8±0.3	5.1

**Gaskets C216G3:** conductive silicone gaskets with embedded metal screen. These gaskets guarantee watertightness and RFI shielding

- Elastomer binder: Silicone
- Conductive filler: Nickel Graphite
- Color: Gray
- Operating Temperature range: -60 °C ÷ +220 °C
- Flammability Rating: UL 94-V0
- Salt spray test > 96 h ( consult our sales office for details)
- IP67 protection (EN 60529)

Shell size	Part Number Conductive	Short Description Conductive	A ±0.2	B -0 +0.4	ØC ±0.3	S C216G3	ØT ±0.3
18	VS412434	C216G3-18	27	35	30.8	0.8±0.2	4.2
20	VS412435	C216G3-20	29.4	38.1	34.2	0.8±0.2	4.2
22	VS412436	C216G3-22	31.8	41.2	37.4	0.8±0.2	4.2
24	VS412437	C216G3-24	34.9	44.5	40.9	0.8±0.2	4.2
28	VS412438	C216G3-28	39.7	50.8	46.7	0.8±0.2	5.1
32	VS412439	C216G3-32	44.5	57	53.4	0.8±0.2	5.1
36	VS412440	C216G3-36	49.2	63.5	59.6	0.8±0.2	5.1
40	VS412441	C216G3-40	55.5	69.9	65.5	0.8±0.2	5.1

*Dimensions in mm*



## Contact KT Crimp tools



Removal tool KTES-784

For the instructions concerning assembly and crimping of contacts please consult the appropriate manuals.

We recommend to respect the following general rules:

- always use the tools recommended by Van-System's catalogue or manuals
- apply the suggested norms for tool maintenance and calibration
- always use tool to close retention spring when crimping the contacts size 12

DO NOT USE ALTERNATIVE GREASES OR OILS which could damage the insert and affect the functionality of the connector.

Part Number	Short Description	Tool
VS610002	CRT-784/1	Crimping Tool
VS610003	CRT-HT45	Crimping Tool
VS610010	CDI-ME2	Crimping Die
VS610016	LOC-KVBS-784	Locator
VS610042	KTES-784-8	Removal Tool
VS610041	KTES-784-12	Removal Tool
VS610040	KTES-784-16	Removal Tool
VS610043	KTRS-784-12	Tool To Close Retention Spring
VS610056	CDI-VS61138	Crimping Die (for KT485 contacts size 8-38)

Contact size	Short Description	mm <sup>2</sup> section	AWG section	Manual crimp tool	Pneumatic crimp tool	Locator /Die	Removal tool	Tool To Close Retention Spring	Stripping length mm
16	KT485 16-13P/S**	0.15÷0.6	26÷20	CRT-784/1	PCT-784	LOC-KVBS-784	KTES-784-16	-	9.5
16	KT485 16-12P/S	0.5÷0.75	-	CRT-784/1	PCT-784	LOC-KVBS-784	KTES-784-16	-	9.5
16	KT485 16-17P/S	0.5÷1.5	20÷16	CRT-784/1	PCT-784	LOC-KVBS-784	KTES-784-16	-	9.5
16	KT485 16-19P/S	1.5÷2.5	16÷14	CRT-784/1	PCT-784	LOC-KVBS-784	KTES-784-16	-	9.5
16	KT485 16-20P/S	1÷2	18÷14	CRT-784/1	PCT-784	LOC-KVBS-784	KTES-784-16	-	9.5
16	KT485 16-26P/S	2.5÷3	-	CRT-784/1	PCT-784	LOC-KVBS-784	KTES-784-16	-	9.5
12	KT485 12-12P/S	0.6	20	CRT-784/1	PCT-784	LOC-KVBS-784	KTES-784-12	KTRS-784-12	9.5
12	KT485 12-20P/S	1÷2	18÷14	CRT-784/1	PCT-784	LOC-KVBS-784	KTES-784-12	KTRS-784-12	9.5
12	KT485 12-26P/S**	2.5÷3	-	CRT-784/1	PCT-784	LOC-KVBS-784	KTES-784-12	KTRS-784-12	9.5
12	KT485 12-30P/S	4	-	CRT-784/1	PCT-784	LOC-KVBS-784	KTES-784-12	KTRS-784-12	9.5
12	KT485 12-38P/S	6	-	CRT-784/1	PCT-784A	LOC-KVBS-784	KTES-784-12	KTRS-784-12	9.5
8	KT485 8-15P/S	1	-	CRT-HT45	-	**	KTES-784-8	-	12
8	KT485 8-22P/S	2.5	-	CRT-HT45	-	CDI-VS61137	**	-	13.5
8	KT485 8-30P/S**	4	-	CRT-HT45	-	CDI-VS61138	KTES-784-8	-	13.5
8	KT485 8-38P/S	6	-	CRT-HT45	-	CDI-VS61138	KTES-784-8	-	13.5
8	KT485 8-50P/S**	10	-	CRT-HT45	-	CDI-ME2	KTES-784-8	-	13.5

\*\* On request (please consult our Sales Office)

# Index

KVBS Connectors - Introduction	3
<b>Part number explanation</b>	<b>4</b>
General Characteristics	6
KVBS - General Characteristics	7
Circular Connectors	8
General Characteristics - Shells - Shielding characteristics	9
General Characteristics - Shells - Material and Finish	10
General Characteristics - Rated Current and Rated Voltage	11
General Characteristics - Contacts - Electrical characteristics	12
General Characteristics - Crimp Contacts	13
<b>Insulating Inserts and Grommets - List by Shell size / Alternate Positions</b>	<b>14</b>
Insulating Inserts and Grommets - List by contacts total quantity	15
<b>KVBS - Bayonet Connector with protected mating ramps</b>	
Rear Mounting Receptacle (030) with Backshell Class (A - DA - RA)	16
Rear Mounting Receptacle (030) with Backshell Class (SA - SDA - SRA)	18
Rear Mounting Receptacle (030) with Backshell Class (DA..M - RA..M)	20
Rear Mounting Receptacle (030) with Backshell Class (DA...FS - RA...FS)	22
Rear Mounting Receptacle (030) with Backshell Class (R)	24
Rear Mounting Receptacle (030) with Backshell Class (AST - ST)	26
Rear Mounting Receptacle (030) with Backshell Class (AST..M - ST..M)	28
Rear Mounting Receptacle (030) with Backshell Class (AST..FS - ST..FS)	30
Plug Connector (06/96) with Backshell Class (A - DA - RA)	32
Plug Connector (06/96) with Backshell Class (SA - SDA - SRA)	34
Plug Connector (06/96) with Backshell Class (DA..M - RA..M)	36
Plug Connector (06/96) with Backshell Class (DA..FS - RA..FS)	38
Plug Connector (06/96) with Backshell Class (R)	40
Plug Connector (06/96) with Backshell Class (AST - ST)	42
Plug Connector (06/96) with Backshell Class (AST..M - ST..M)	44
Plug Connector (06/96) with Backshell Class (AST..FS - ST..FS)	46
Plug Connector with rubber covered coupling nut (06..GG - 61..GG - 96..GG - 961..GG) with Backshell Class (A - DA - RA)	48
Plug Connector with rubber covered coupling nut (06..GG - 61..GG - 96..GG - 961..GG) with Backshell Class (SA - SDA - SRA)	50
Plug Connector with rubber covered coupling nut (06..GG - 61..GG - 96..GG - 961..GG) with Backshell Class (DA..M - RA..M)	52
Plug Connector with rubber covered coupling nut (06..GG - 61..GG - 96..GG - 961..GG) with Backshell Class (DA..FS - RA..FS)	54
Plug Connector with rubber covered coupling nut (06..GG - 61..GG - 96..GG - 961..GG) with Backshell Class (AST - ST)	56
Plug Connector with rubber covered coupling nut (06..GG - 61..GG - 96..GG - 961..GG) with Backshell Class (AST..M - ST..M)	58
Plug Connector with rubber covered coupling nut (06..GG - 61..GG - 96..GG - 961..GG) with Backshell Class (AST..FS - ST..FS)	60
Plug Connector (08/98) with 90° Elbow Class (A - DA - RA)	62
Plug Connector (08/98) with 90° Elbow Class (DA..M - RA..M)	64
Plug Connector (08/98) with 90° Elbow Class (DA..FS - RA..FS)	66
Plug Connector (08/98) with 90° Elbow Class (AST - ST)	68
Plug Connector (08/98) with 90° Elbow Class (AST..M - ST..M)	70
Plug Connector (08/98) with 90° Elbow Class (AST..FS - ST..FS)	72
Plug Connector with rubber covered coupling nut (08..GG - 81..GG - 98..GG - 981..GG) with 90° Elbow Class (A - DA - RA)	74
Plug Connector with rubber covered coupling nut (08..GG - 81..GG - 98..GG - 981..GG) with 90° Elbow Class (DA..M - RA..M)	76
Plug Connector with rubber covered coupling nut (08..GG - 81..GG - 98..GG - 981..GG) with 90° Elbow Class (DA..FS - RA..FS)	78
Plug Connector with rubber covered coupling nut (08..GG - 81..GG - 98..GG - 981..GG) with 90° Elbow Class (AST - ST)	80
Plug Connector with rubber covered coupling nut (08..GG - 81..GG - 98..GG - 981..GG) with 90° Elbow Class (AST..M - ST..M)	82
Plug Connector with rubber covered coupling nut (08..GG - 81..GG - 98..GG - 981..GG) with 90° Elbow Class (AST..FS - ST..FS)	84
<b>KVBSG - Bayonet Connector with external insulated coating</b>	
Rear Mounting Receptacle (030) with Backshell Class (DA..M - RA..M)	86
Rear Mounting Receptacle (030) with Backshell Class (DA..FS - RA..FS)	88
Plug Connector (06 - 61 - 96 - 961) with Backshell Class (DA..M - RA..M)	90
Plug Connector (06 - 61 - 96 - 961) with Backshell Class (DA..FS - RA..FS)	92
Plug Connector (08 - 81 - 98 - 981) with 90° Elbow Class (DA..M - RA..M)	94
Plug Connector (08 - 81 - 98 - 981) with 90° Elbow Class (DA..FS - RA..FS)	96
Connector Shell - Receptacle mounting holes option	98
Connector Shell - Panel drilling dimensions	99
Connector Shell - Mounting panel characteristics	99
<b>KVBS - KT Contacts - for thermoplastics inserts</b>	<b>100</b>
Caps for Bayonet Connectors	102
Accessories For Connectors	102
Protective Plastic Dust Caps	103
Cable clamp A type	104
Bushing for Cable clamp A type	105
Cable clamp C type	106
Bushing for Cable clamp C type	107
Connector Mounting Gaskets	108
<b>Contact KT Crimp tools</b>	<b>109</b>

### Information regarding the use of the product within recommended safety limits

To use the connectors described in this catalogue according to the necessary safety requirements we suggest you apply the following criteria:

- use the connectors and connected cables within their electrical and environmental limits
- follow the characteristics of each version (shell, class and type of strain relief) and carefully choose the appropriate connector for the required use
- make sure to respect the procedures regarding the correct assembly of connectors and the crimping of contacts
- any connector damaged during shipment, storage, assembly or use should be replaced
- never uncouple the connectors when under power
- always protect the parts against shock when the circuit is under power
- always check the circuit before putting it under power
- consult Radiall Italia Srl if in doubt
- the user must take final responsibility for electrical safety Radiall Italia Srl reserves the right to amend the specifications of this catalogue without issuing prior notice.

For the instructions concerning assembly and crimping of contacts please consult the appropriate tools manuals.

We recommend to respect the following general rules:

- to be used always the tools recommended by Radiall Italia Srl's catalogue or manuals
- to be applied the suggested norms for tool maintenance and calibration

DO NOT USE ALTERNATIVE GREASES OR OILS which could damage the insert and affect the functionality of the connector. Radiall Italia Srl reserves the right to amend the specifications of this catalogue without issuing prior notice.

---

*The data defined in this document are given as an indication. In the effort to improve our products, we reserve the right to make any change judged necessary.*



[www.radiall.com](http://www.radiall.com)

**FRANCE**

RADIALL S.A.  
Tel +33149353535  
[info@radiall.com](mailto:info@radiall.com)



[www.vansystem.eu](http://www.vansystem.eu)

**ITALY**

Radiall Italia S.r.l.  
Tel. +39023569931  
[infoit@radiall.com](mailto:infoit@radiall.com)

**2024 EDITION**  
02.2024

050.KVBS013  
PRINTED IN ITALY